

INTERNAL PANTRY 5 DRAWER - 600mm.

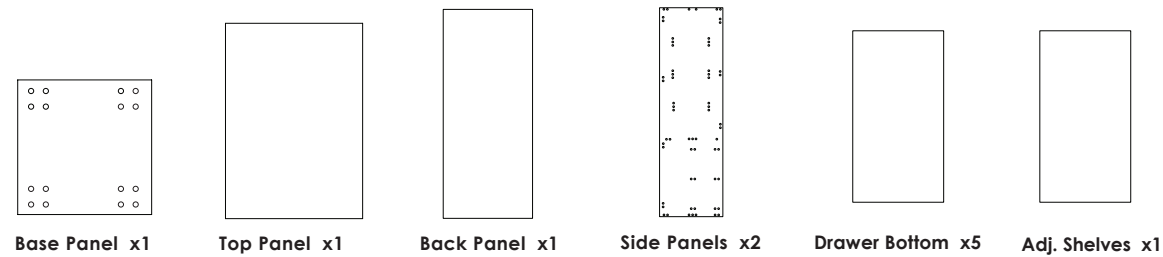


Assembly Instructions

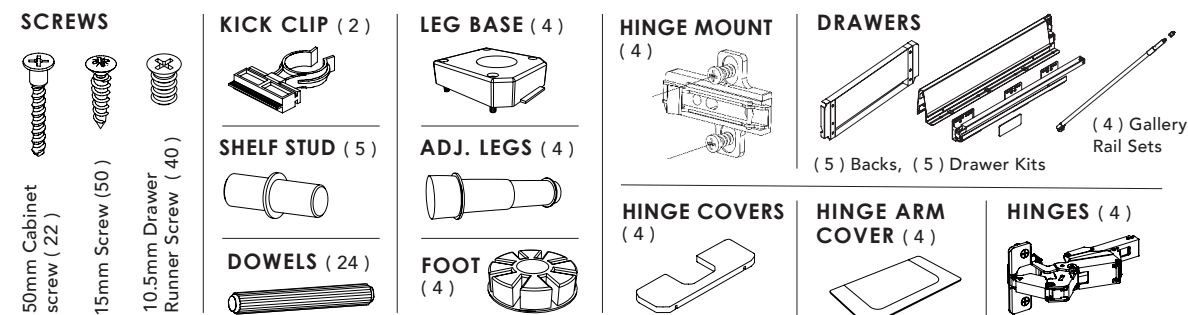
Suitable for Internal Pantry:
P6005ID-IMP

Handy Note: Please make sure to identify the parts you need for each step. Making sure to read the instructions carefully before you start. When assembling it is best to assemble on a soft surface to prevent damage.

Cabinet Panels included.



HÄFELE Hardware included.



Required Tools.

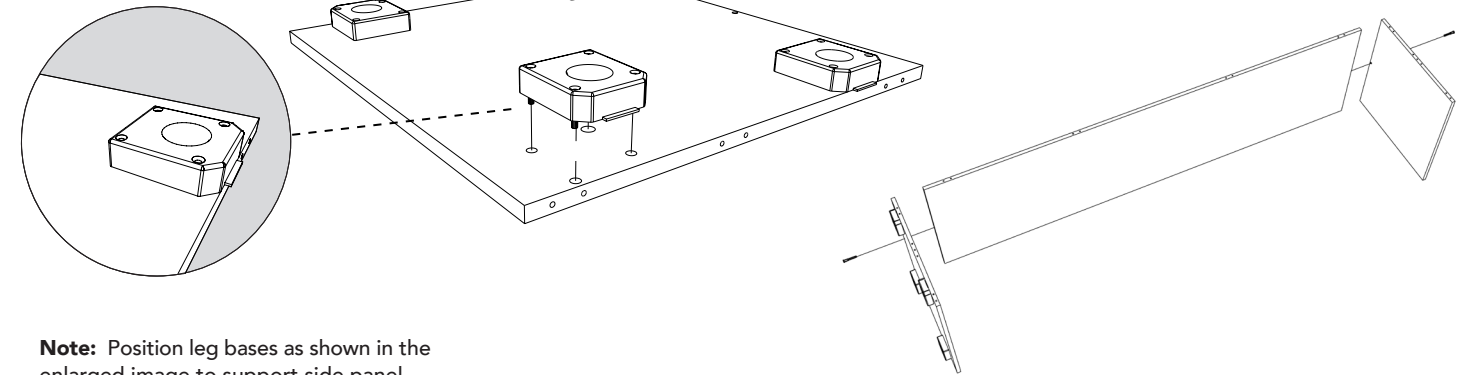


Handy Tools.



1. a. Installing Leg Bases.

- Ensure dowels in the leg bases line up with the holes. Use a block of wood between leg base and mallet to prevent damage before striking it into place.

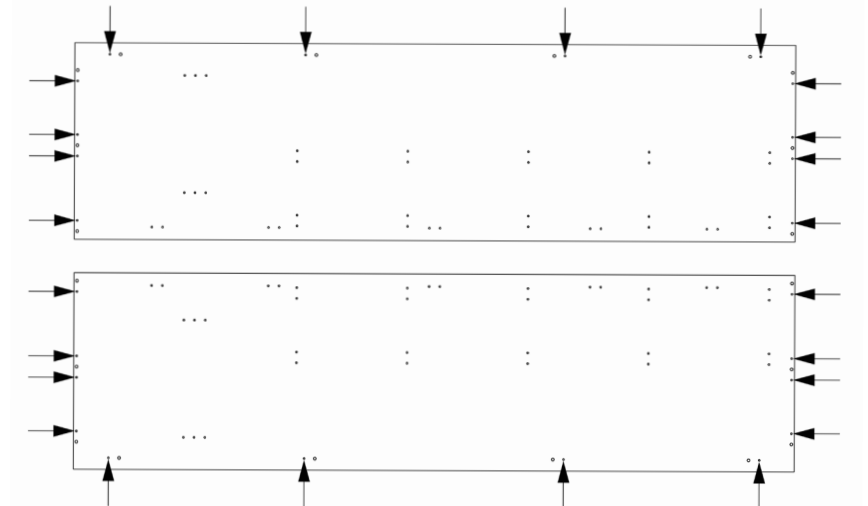


b. Fixing Base to Back and Top.

- Screw fix the base, back, and top panels together using 50mm Cabinet Screws.

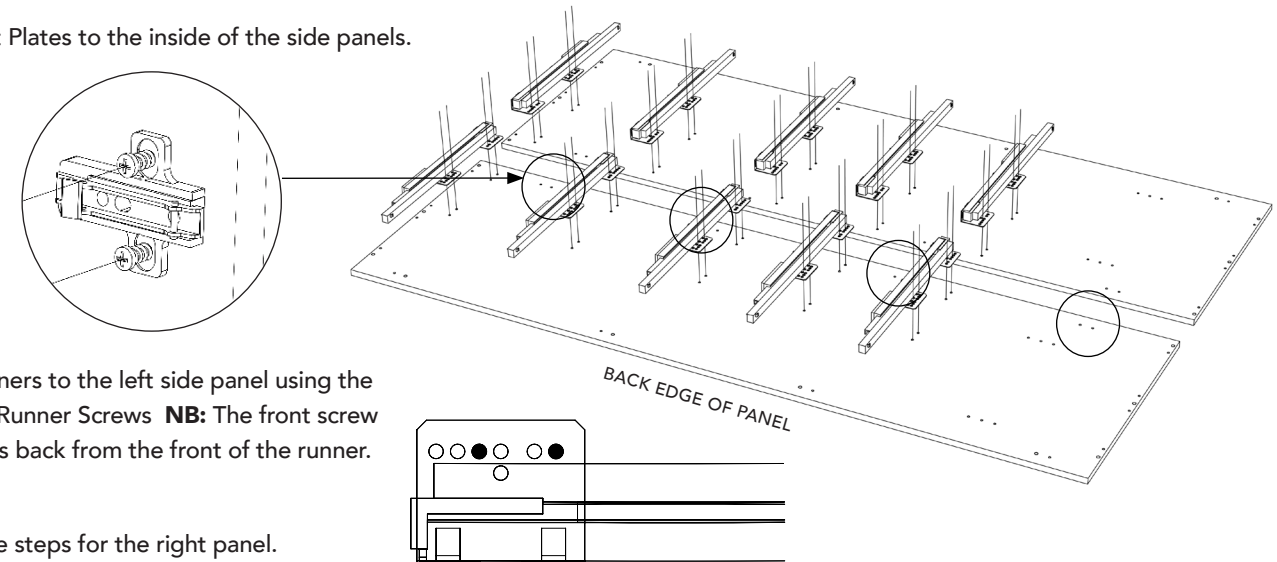
2. Insert the Dowels

- While laying the panels flat, insert the dowels into the correct holes as marked in the diagram.



3. Fixing hinge mounts and drawer runners.

- Screw the Mount Plates to the inside of the side panels.

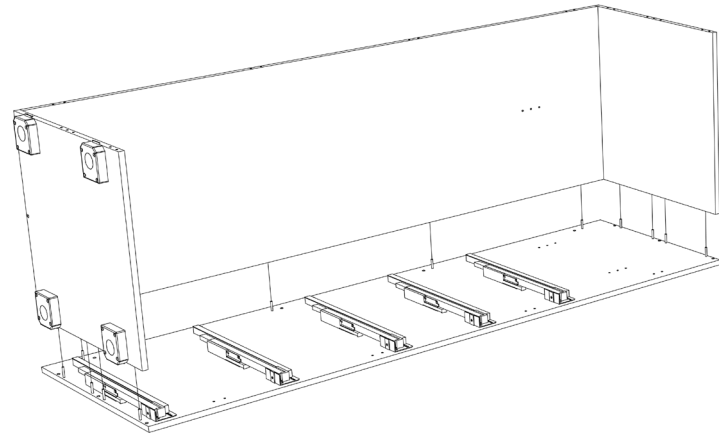


- Screw fix the runners to the left side panel using the 10.5mm Drawer Runner Screws **NB:** The front screw position is 3 holes back from the front of the runner.

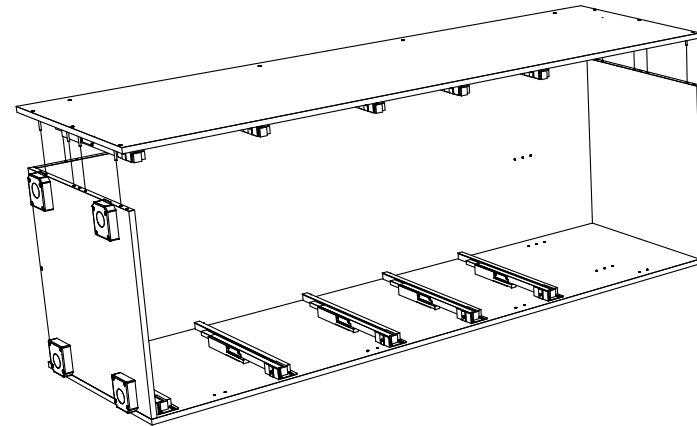
- Repeat the above steps for the right panel.

4. Fixing The Side Panels.

- Lift the fixed base, back, top panel, rotate 90 degrees and place down on to the side panel dowels, ensuring the holes are aligned.



- Lift and flip the last side panel and place on top of the base, back, and top panels ensuring the holes align with the dowels. Fasten with the 50mm Cabinet Screws.



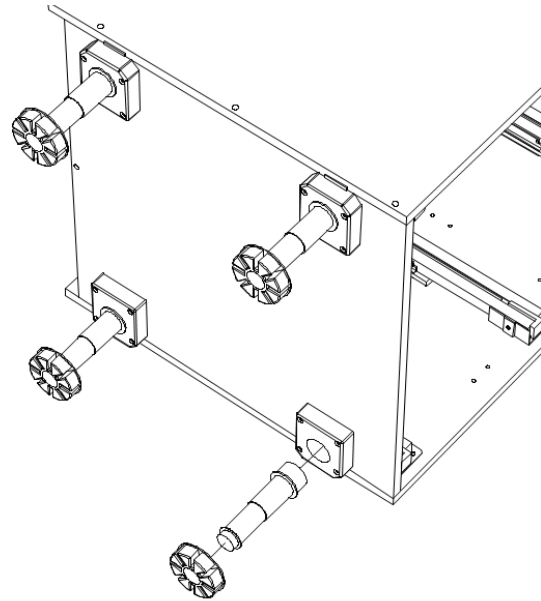
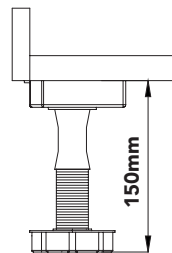
- Flip the cabinet over to fix the last side panel to the base, back and top panels using 50mm Cabinet Screws.

5. Fitting Adjustable Legs.

- Push the supplied adjustable leg into the foot and then insert it into the leg base attached to the base panel.

- The total height of the Adjustable Leg should be 150mm. The height of the Cabinet is 2150mm.

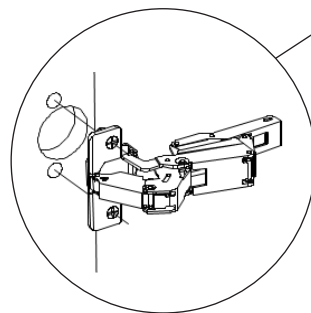
- The total height will be (Cabinet 2150mm + Adjustable Leg): 150mm = 2300mm.



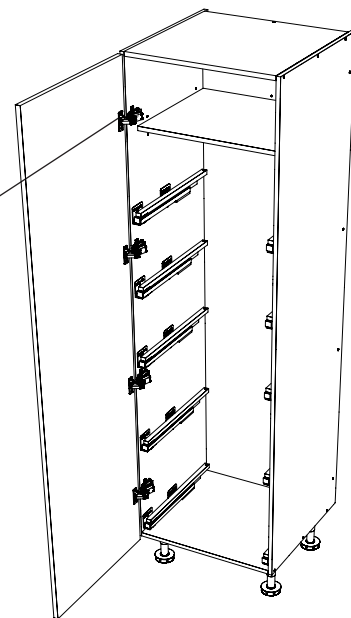
6. Fitting Doors.

- Press the hinges into the cupholes in the door and tighten the connectors in the direction of the arrows. Make sure that the 2 hinges with white cups are fitted to the top and bottom holes and the metal cups to middle holes.

- Clip Hinges to Door Mounts. See enlarged detail (See Hinge Installation for adjustment instructions).

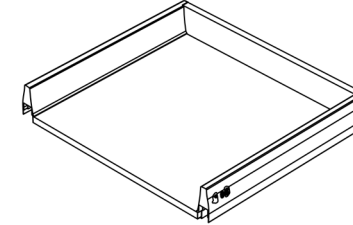
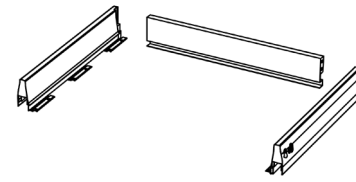


- Handle drilling jig Mitre10 SKU 228030 can be purchased if required. Please note that Drawer Fronts are sold separately.

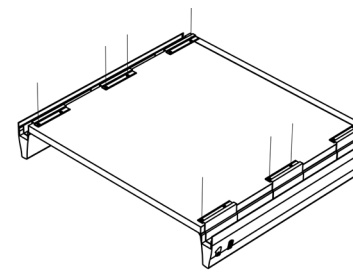


7. a. Drawer Assembly.

- Push the metal drawer back into the the drawer sides until it clicks into place.
- Fix the metal drawer backs to both drawer sides.



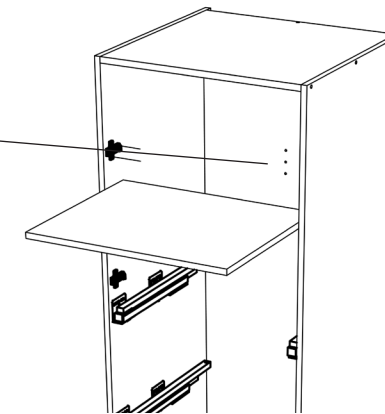
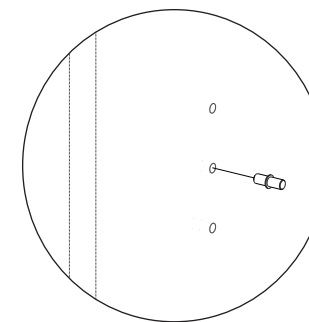
- Insert the drawer bottoms up to the rebate in the drawer back as shown below. NB: Ensure that the drawer bottom is positioned slightly back from the front edge of the drawer sides and screw off with 15mm screw.



- NB: Fit the large backs for the large pot drawers.

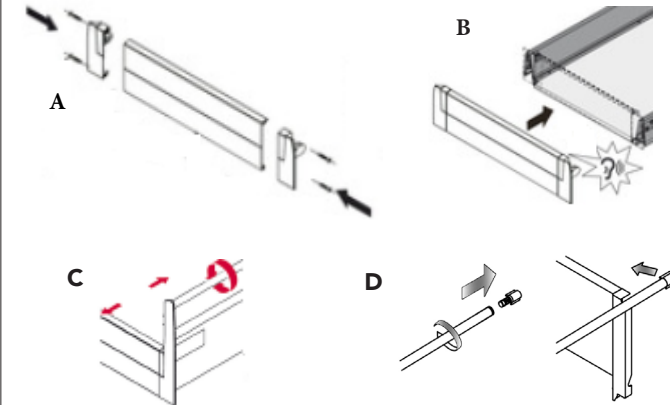
8. Fitting Adjustable Shelves.

- Insert the Shelf Pins into the side and back panels. Place shelf onto shelf pins.



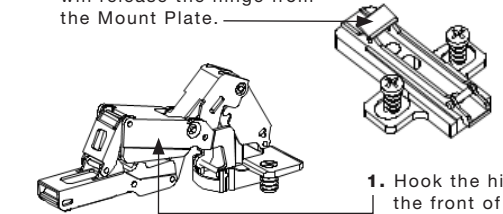
b. Front Panel Assembly

- **Internal Fronts:** Fit off the front brackets to the center panel (A) with screws provided. (B) Clip front on to the drawer. (C) Fit off the gallery rail by turning the gallery on the thread on the back of the front bracket. (D) Push the gallery rail down on to the back of the drawer.



Hinge Installation.

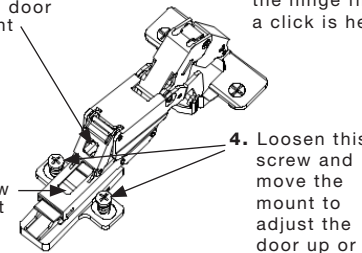
1. Pushing down this button will release the hinge from the Mount Plate.



1. Hook the hinge into the front of the mount as shown and push down on the back of the hinge firmly until a click is heard.

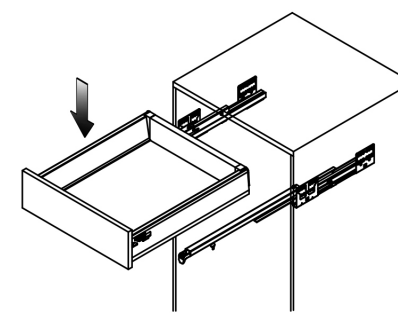
1. This screw will adjust the door left or right.

3. This screw will adjust the door in or out.

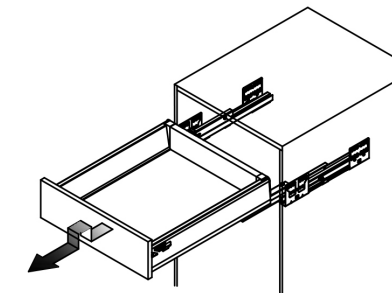


4. Loosen this screw and move the mount to adjust the door up or down.

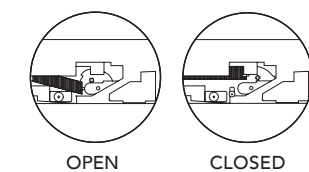
9. Drawer Installation & adjustments.



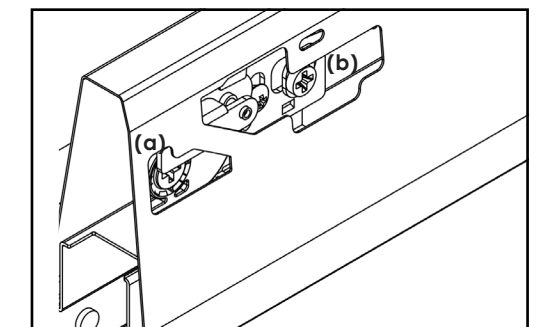
- Slide out the slides, and place the drawer in from above onto slides.



- Lift the drawer up for dismantle



To remove internal front make sure to turn the screw on the drawer side to 'open' as image shows.



- (a) Use to adjust drawer front left or right.
- (b) Use to adjust drawer front up and down.