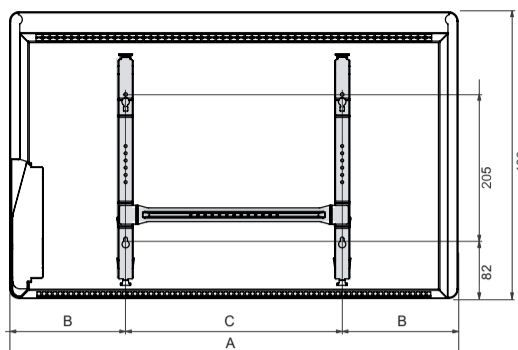


Compact Heater Installation Guide



Watt	A mm	B mm	C mm
500	425	138	150
750	425	138	150
1000	525	163	200
1500	625	163	300
2000	825	213	400
2400	925	263	400

IMPORTANT

THESE INSTRUCTIONS SHOULD BE READ CAREFULLY AND RETAINED FOR FUTURE REFERENCE.

Note also the information presented on the appliance

CAUTION: FAILURE TO FOLLOW THESE INSTRUCTIONS MAY CAUSE INJURY AND/OR DAMAGE AND MAY INVALIDATE YOUR GUARANTEE

IMPORTANT SAFETY ADVICE

When using electrical heaters, basic precautions should always be followed to reduce the risk of fire, electrical shock, and injury to persons, including the following:

IMPORTANT – The wall bracket supplied with the heater must be used when wall mounting.

IMPORTANT – All packaging should be disposed of in an appropriate manner.

The heater is to be installed out of reach from people in the shower or bath. Heaters on feet must not be used in the immediate surroundings of a shower, a bath or a swimming pool. Provide additional protection against frost damage.

SUITABLE APPLICATIONS

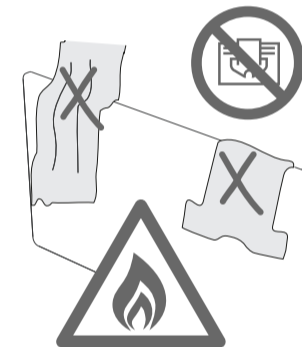
WARNING - This heater is suitable for normal domestic household purposes and should not be used in any other type of environment. This product should only be used in the country where it was purchased from by a recognised commercial retailer. Do not use outdoors. Do not install if the product is damaged.

OVERHEATING WARNING

WARNING - In order to avoid overheating, do not cover or obstruct the heater. Do not place material or garments on the heater, or obstruct the air circulation around the heater, for instance, by curtains or furniture, as this could cause overheating and a fire risk. NEVER cover or obstruct in any way the heat outlet slots at the top of the heater or the air inlet slots in the base of the heater.

WARNING - THE SURFACES ON THIS HEATER CAN BE HOT. The heater carries a warning symbol to alert the user to the risk of fire that exists if the heater is accidentally covered.

CAUTION - Some parts of this product can become very hot and cause burns. Particular attention has to be given where children and vulnerable people are present. For your safety, this heater has been fitted with a thermal cut-out. In the event that the product overheats for some reason, the cut-out prevents excessive temperatures on the product by cutting the power to the heater. Once the heater has cooled down, it will reset automatically, it will continue to cycle on and off automatically until the reason for overheating is removed.



CHILD SAFETY

WARNING - This appliance is not intended for use by persons (including children) with reduced physical, sensory or mental capabilities, or lack of experience and knowledge, unless they have been given supervision or instruction concerning use of appliance by a person responsible for their safety.

This appliance can be used by children from 8 years and above and persons with reduced physical, sensory or mental capabilities or lack of experience and knowledge if they have been given supervision or instruction concerning use of the appliance. Children shall not play with the appliance. Cleaning and user maintenance shall not be made by children without supervision. Children of less than 3 years should be kept away unless continuously supervised. Children aged from 3 years and less than 8 years shall only switch on/off the appliance provided that it has been placed or installed in its intended normal operating position and they have been given supervision or instruction concerning use of the appliance in a safe way and understand the hazards involved. Children aged from 3 years and less than 8 years shall not regulate and clean the appliance or perform user maintenance.

WARNING - Packaging should be disposed of responsibly as the EPS polystyrene used could be a potential choking hazard for children.

SERVICING AND REPAIRS

WARNING - Servicing and product repairs should only be undertaken by the manufacturer's approved service agent or a similarly trained or qualified person, using only exact manufacturer approved spare parts.

PLEASE NOTE: Household dust, lit cigarettes, candles and oil burners, combined with the convection effect of electric heaters can cause significant soot deposits to build up on the surface directly above and to the sides of the heater. This is not a fault of the heater. Extensive burning of candles or smoking in the operating environment of this product can produce heavy discolouration within a few months of use.

OPERATING WARNINGS

IMPORTANT: Remember to observe all safety warnings and precautions when operating the heater on the automatic or timer modes, either attended or unattended since a fire risk exists when the heater is accidentally covered or displaced.

CAUTION: Do not use if the heater's main power lead is damaged. If the supply cord is damaged it must be replaced by the installer or an approved Dimplex service partner.

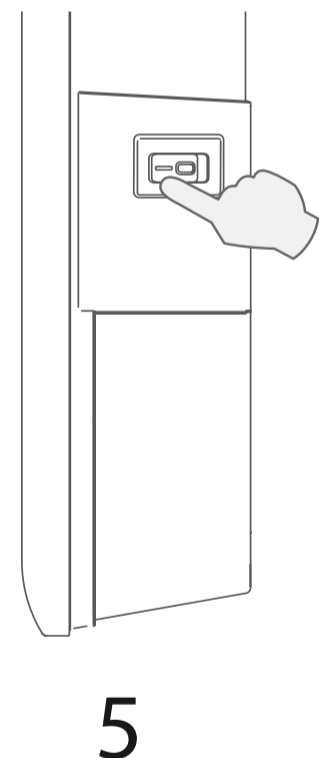
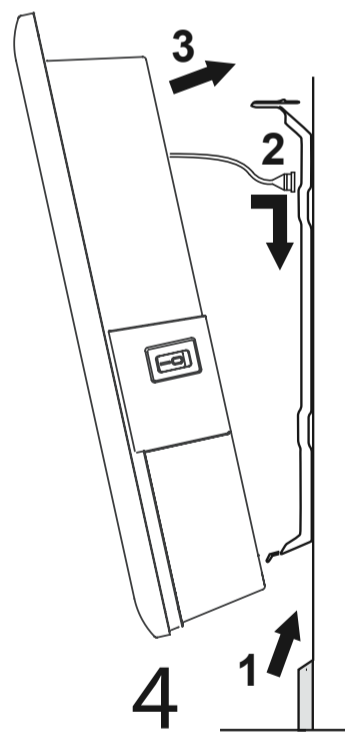
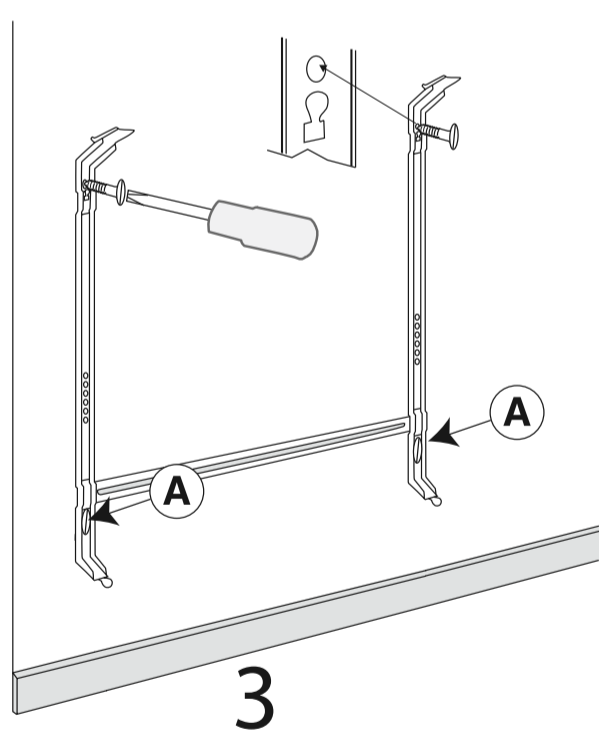
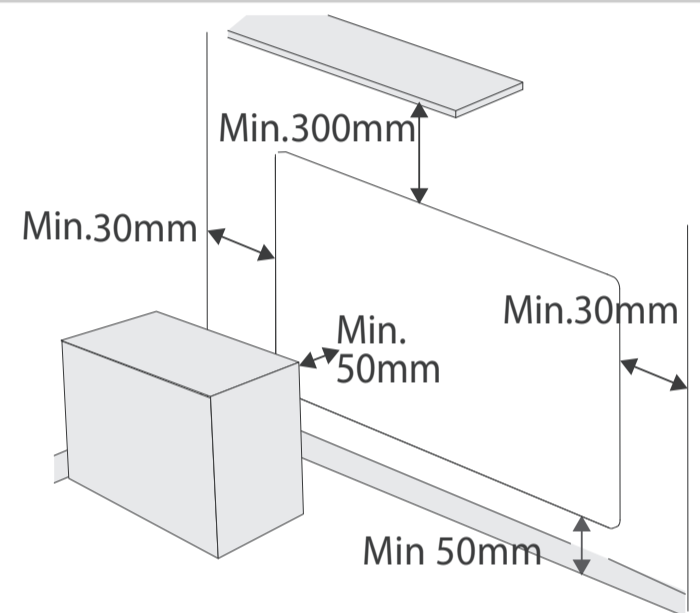
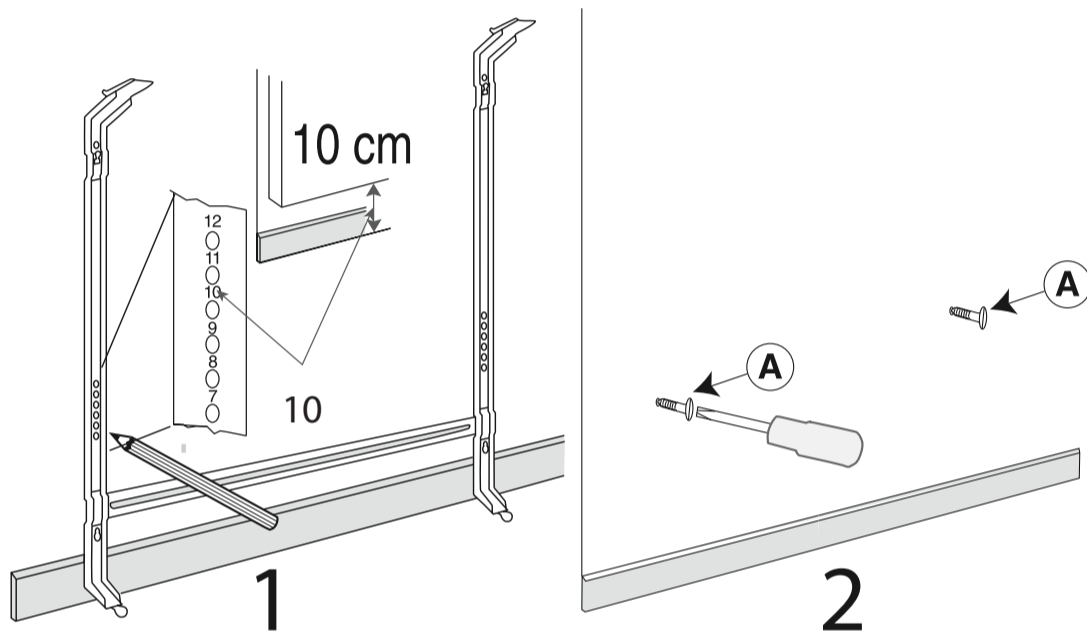
ELECTRICAL INSTALLATION

WARNING - Minimum clearances and IP zone requirements must be adhered to.
Do not locate the heater immediately below a fixed electrical point i.e. socket outlet.

WARNING: This heater must not be connected to the electricity supply via an external switching device (such as a timer) or a circuit that is regularly switched on and off by the utility supplier. Failure to follow this warning could result in the heater's thermal cut-off being inadvertently reset and could create a fire hazard. Cables/flexes that are supplied pre-fitted to the product must NOT be extended.

IMPORTANT - The wall bracket supplied with the heater must be used when wall mounting and the heater must be installed in the correct orientation (not sideways). The fixings should be used to secure the bracket to the particular wall on which the heater will be installed. The heater should be positioned observing the minimum clearances stated around the heater.

When wall mounting, this heater must be mounted on a vertical wall. It also must not be mounted on the ceiling.



Dimplex[®]

The World Leaders in Electric Heating

www.dimplex.co.nz

At the end of its service life, the product must be recycled.

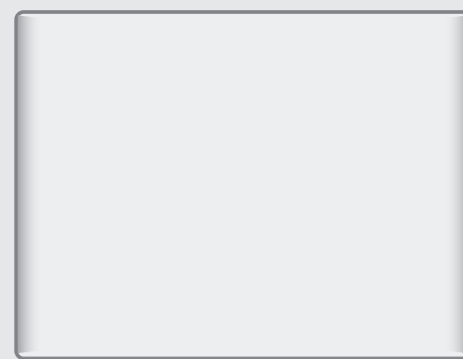




The World Leaders in Electric Heating

Digital weekly timer

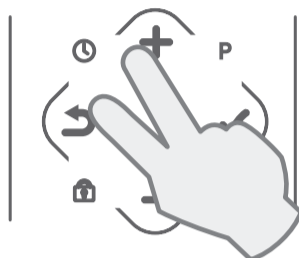
www.dimplex.co.nz



Electronic room temperature control plus week timer with adaptive startup.

1 Set day and time.

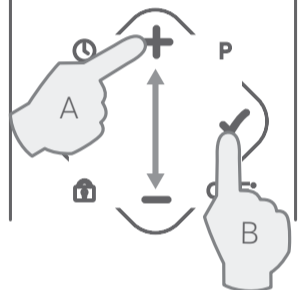
Press + and ↶ simultaneously



A: Select 12H/24H (press +)



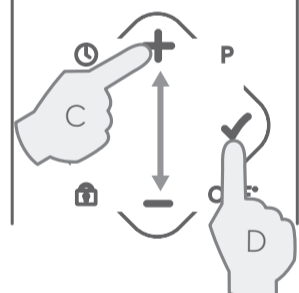
B: Confirm (press ✓)



C: Set the hour (press + or -)



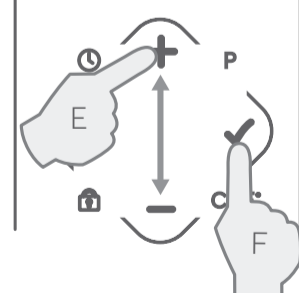
D: Confirm (press ✓)



E: Set the minutes (press + or -)



F: Confirm (press ✓)

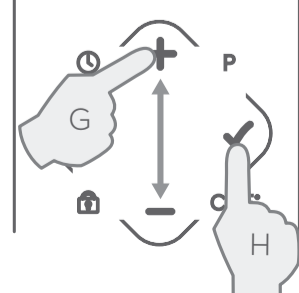


G: Set the day (press + or -)

- d1: Monday
- d2: Tuesday
- d3: Wednesday
- d4: Thursday
- d5: Friday
- d6: Saturday
- d7: Sunday



H: Confirm (press ✓)



2 Temperature

Red = Comfort

Adjust Comfort temperature by pressing + or -

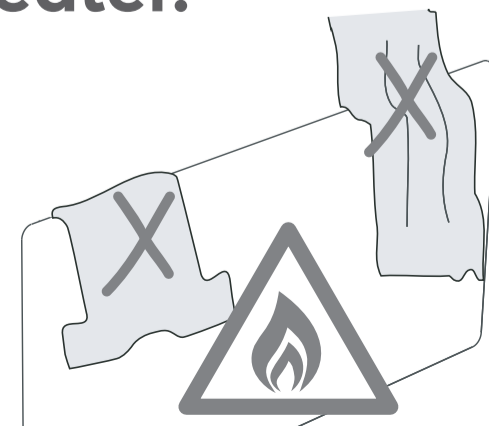
To switch between "Comfort" and "Eco", press ↶

Green = Eco

Adjust Eco temperature by pressing + or -

A centre dot in the numerical display will flash when the heater is heating

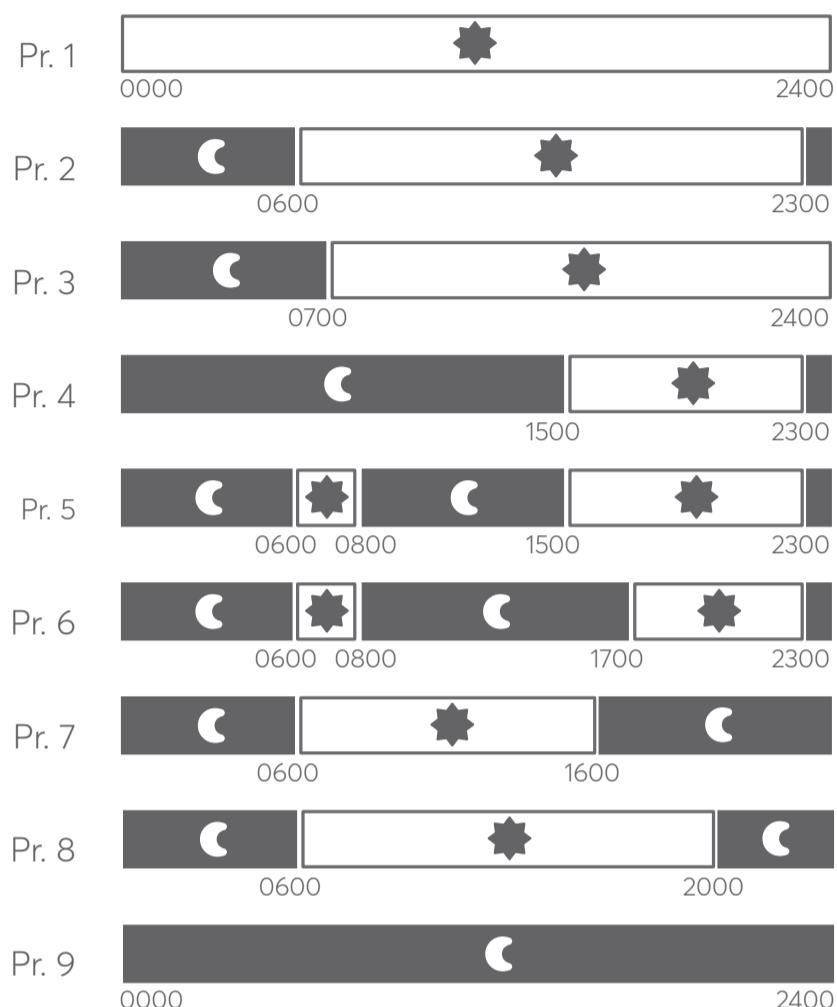
Do not cover the heater.



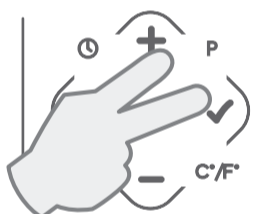
3 Optional settings

Programme daily settings

This heater has nine 24hour programs.
Select one program for each day of the week.



Press ✓ and + simultaneously

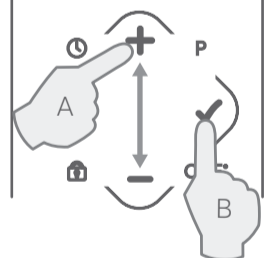


A: Select from above programmes for day 1 (Monday) (press + or -)

d1 =
Monday



B: Confirm (press ✓)

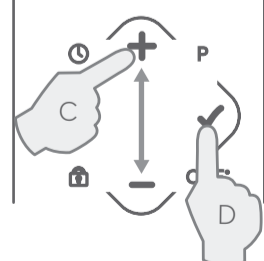


C: Now select from above programmes for day 2 (Tuesday) (press + or -)

d2 =
Tuesday

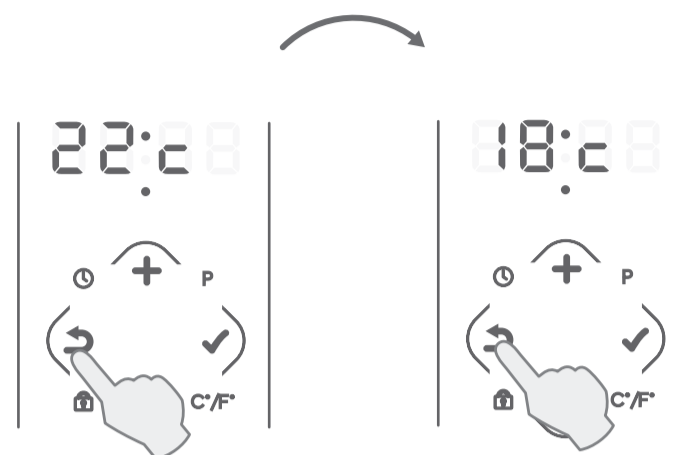


D: Confirm (press ✓)



Repeat for each day (d1 to d7)

Override

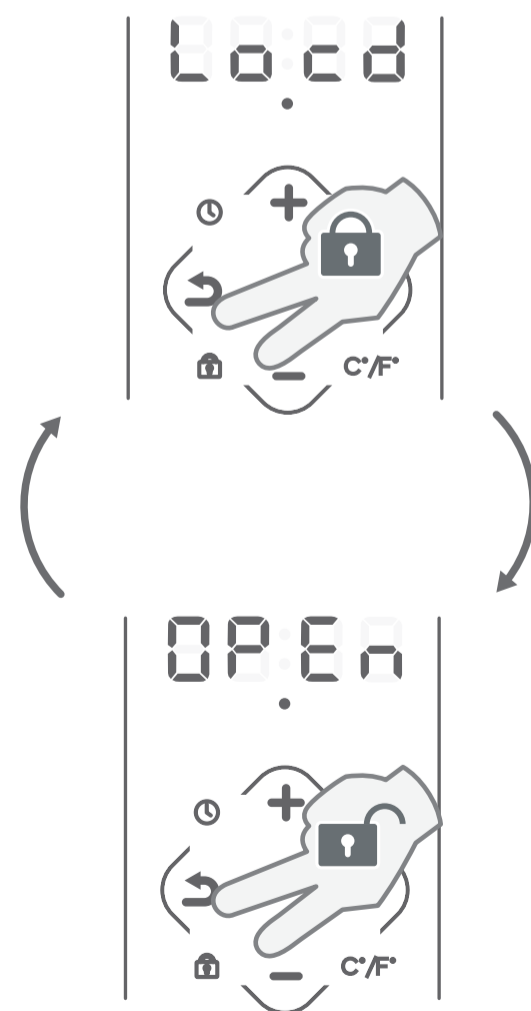


Pressing ← overrides the status from Comfort to Eco or vice versa.

The override is terminated automatically upon the next event in the program, or at 03.00.

Key lock

Press ← and - simultaneously to lock or unlock



Adaptive start allows the heater to learn what time it needs to start heating so that the room is at the set temperature by the time of the programmed setting. For example, if the programming is set to 20 degrees Celsius at 6am, the heater will start heating up before 6am so that by 6am, the room will be 20 degrees Celsius. Many factors impact on room heat up times (e.g. size of the room and insulation) and initially the heater may start too early or too late. However it will learn and recalibrate itself over several days optimising itself to the best time to start heating.