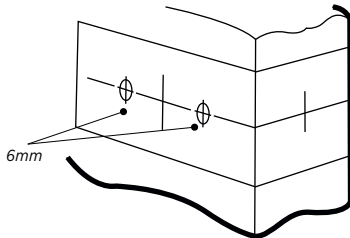


## 1 Mark and drill door.

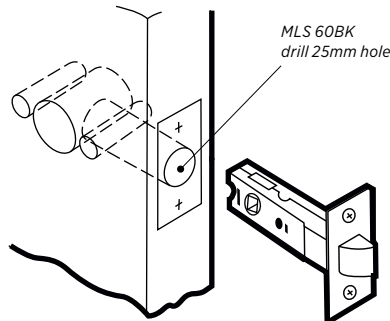
Using template, mark

- Centre of door edge
- 6mm holes x 2
- 20mm hole through door.

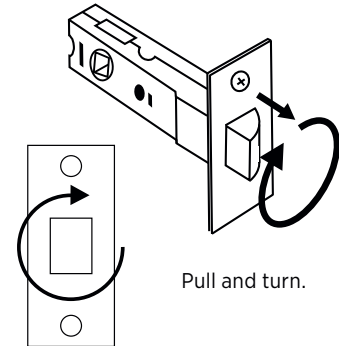


- Drill 25mm hole square to door edge, 100mm deep
- Drill 20mm hole through door face from both sides
- Drill 2x 6mm holes through door face from both sides

## 2 Check forend of latch and fit latch.



## 3 Decide on handing of latch.

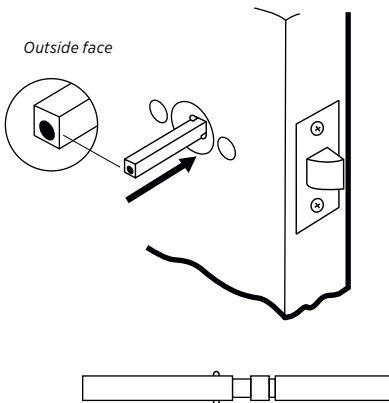


## 4 Fit spindle through latch.

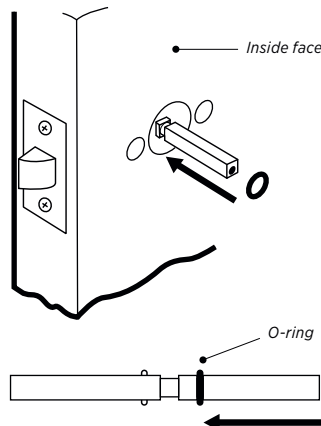
Offset hole at the bottom.

Slide spindle in from outside face of door until spindle comes to a solid stop inside latch.

Note: O-ring groove on inside.



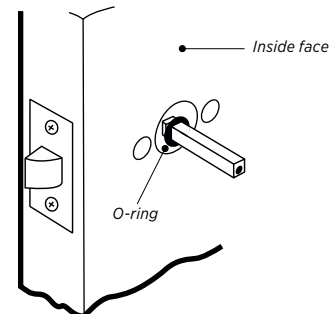
## 5 Fit rubber O-ring into slot mid way down spindle.



Note: From inside face.

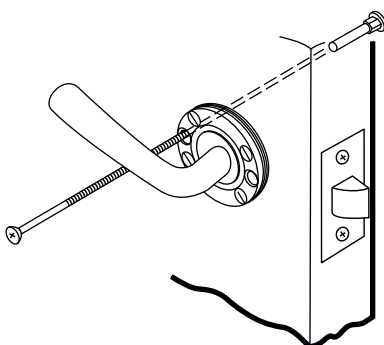
## 6 Check O-ring is seating correctly in spindle.

Check to make sure spindle cannot slide out. O-ring should hold spindle in firmly.



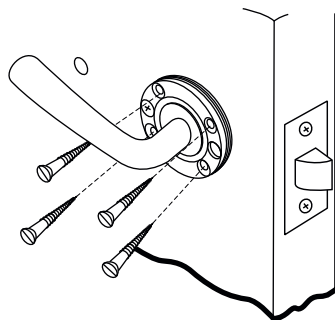
## 7 IMPORTANT STEP.

Fit through bolt fixing screw.



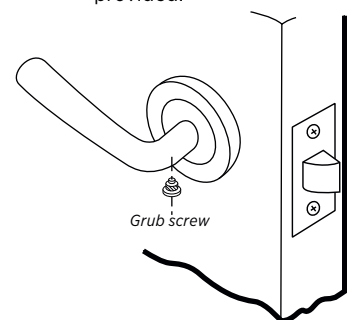
## 8 Fit both handles onto spindle.

Fit 4x wood screws each side.

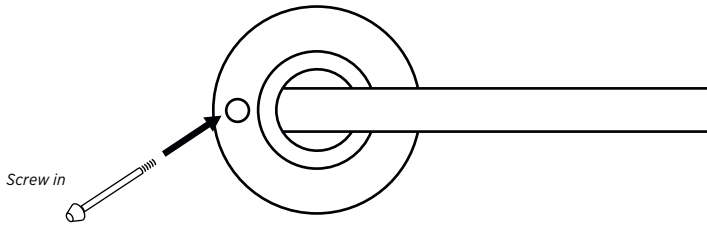


## 9 Fit cover plates over handles.

Tighten up grub screws onto the spindle using allen key provided.



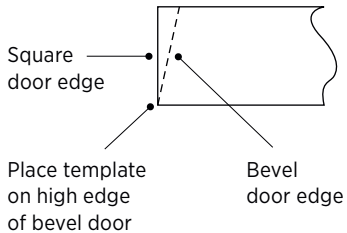
**10 Fit bathroom snib to inside handle.**



**11 Check action while door is open.**

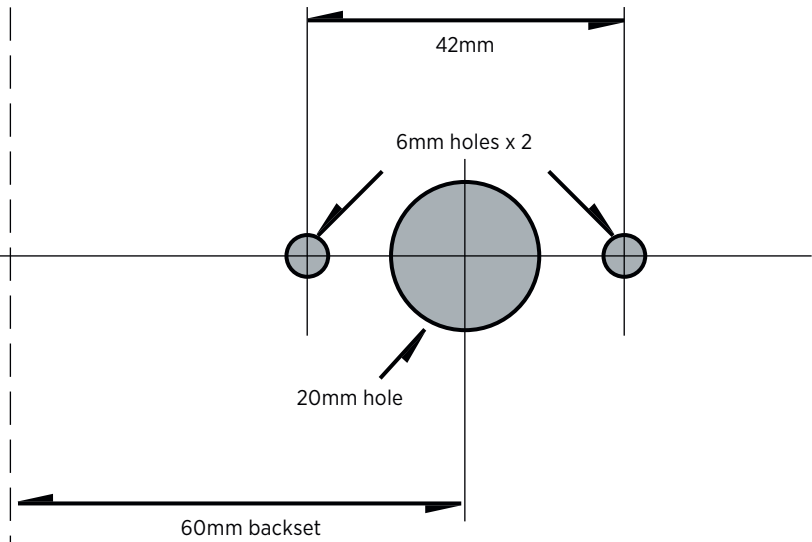
- Push snib button, check outside is locked.
- Pull on inside handle. It should pop off button.
- If ok, check operation with door closed.

Installation Instructions continued



Mark centre of door

Drill 25mm hole at centre of the door edge



Installation Template