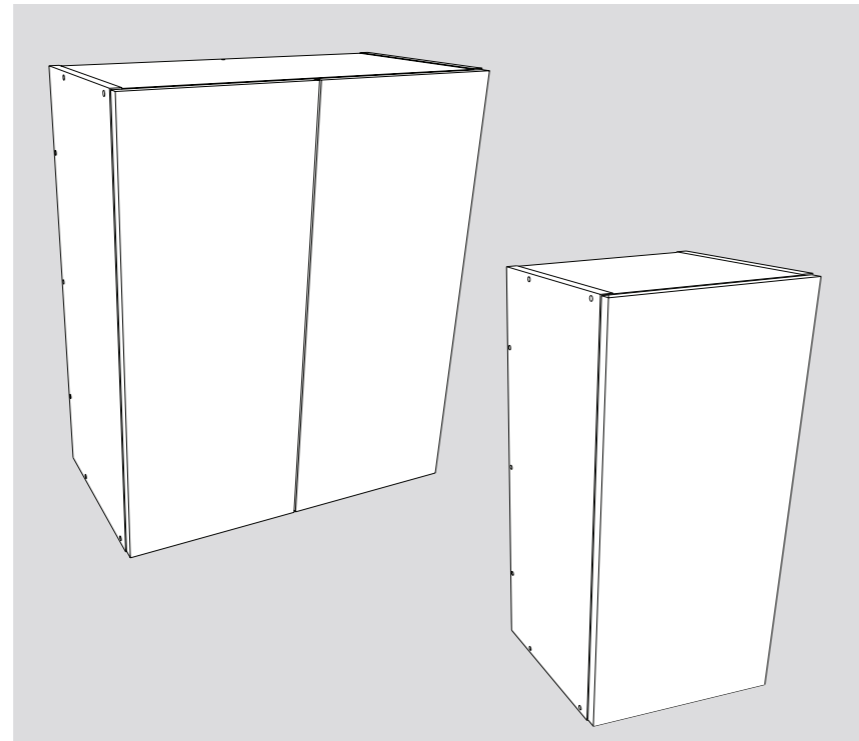


WALL CABINET SINGLE SHELF

Assembly Instructions

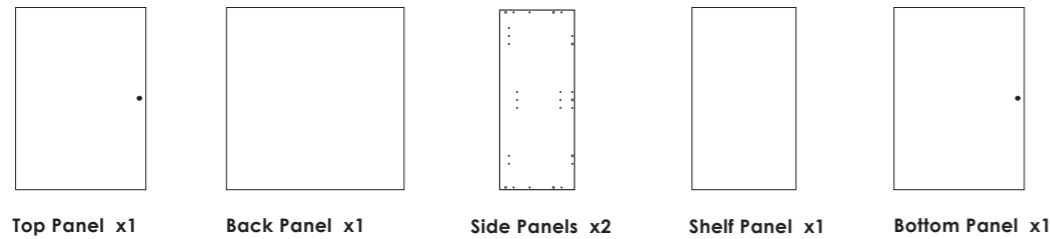
Suitable for Wall Cabinets:
W300-IMP, W400-IMP,
W450-IMP, W600-IMP,
W800-IMP, W900-IMP.

732.25.819



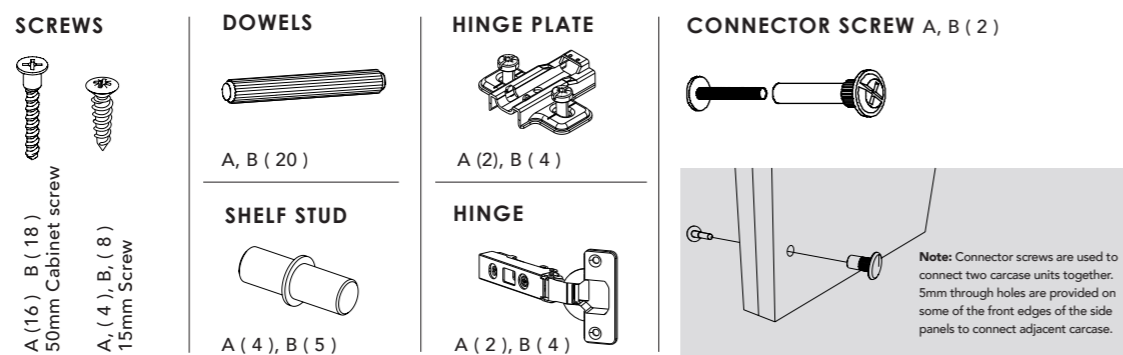
Handy Note: Please read the instructions carefully before you start and make sure to identify the parts you need for each step. When assembling it is best to do on a soft surface to prevent damage.

Cabinet Panels included.

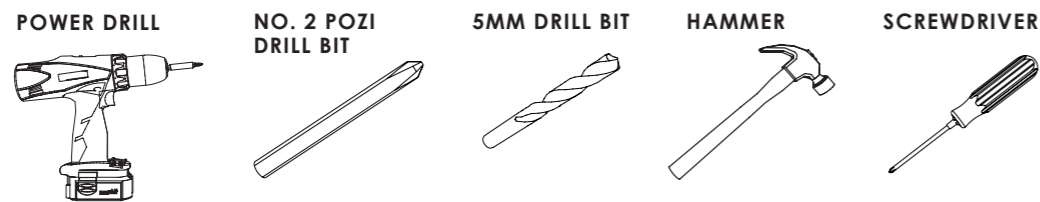


HÄFELE Hardware included.

Legend
A. = W300-IMP/
W400/W450-IMP
B. = W600-IMP/
W800/W900-IMP



Required Tools.



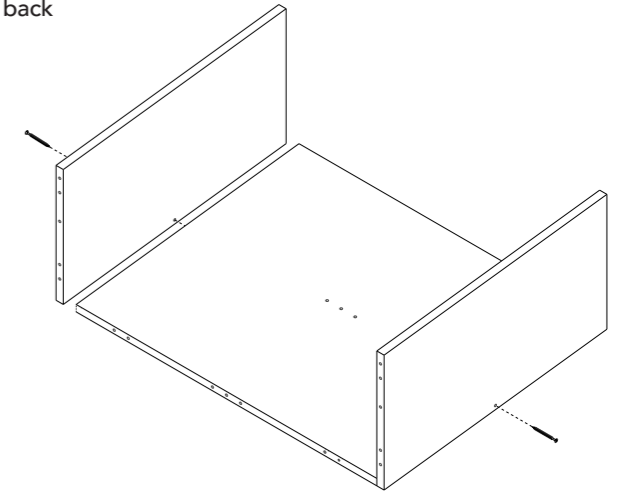
Handy Tools.



Manufactured in New Zealand for: Mitre 10 New Zealand Limited.

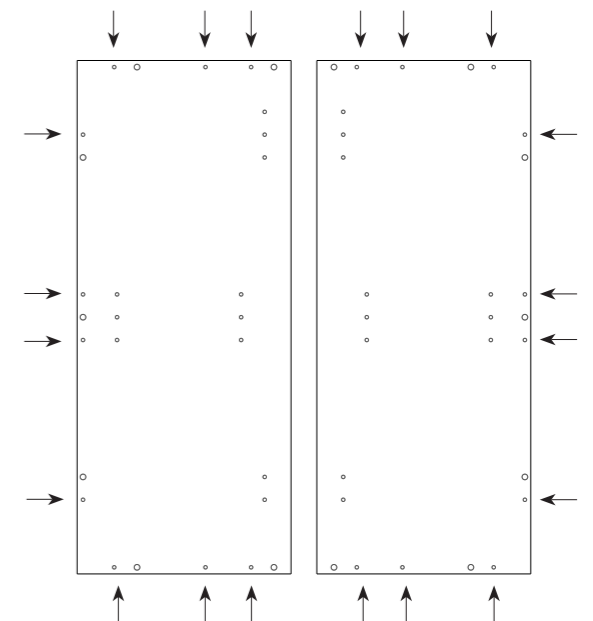
1. Fixing Bottom and top Panels to Back Panel.

- Line the bottom and top panels up by matching them to the holes on the back before screw fixing them with the 50mm cabinet screws.



2. Inserting Dowels into Side Panels.

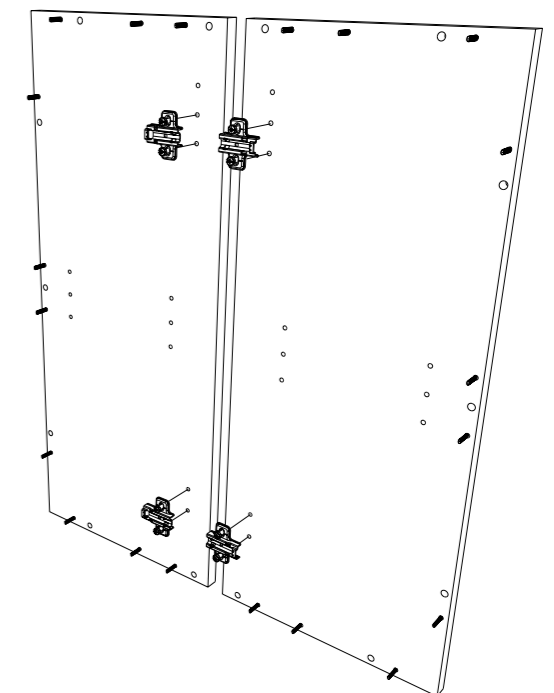
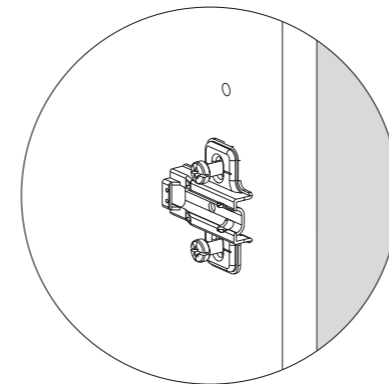
- While the side panels are laying flat, insert the dowels into the holes marked with arrows in the diagram.



3. Fixing the Mounting Plates.

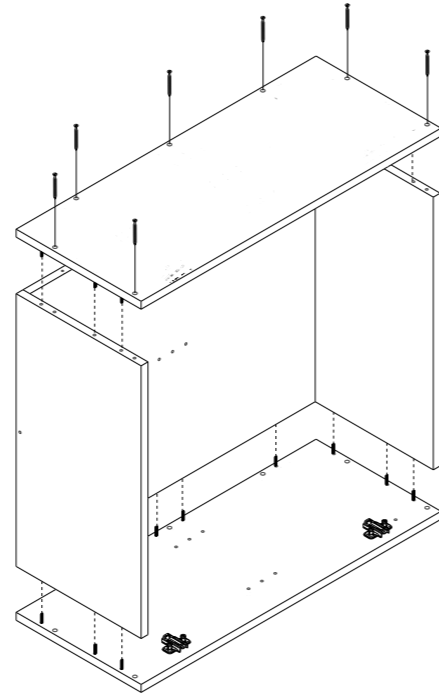
- Lay the side panels flat and fix the hinge mounts as shown below.

Note: W300-IMP to W450-IMP will only have mounts on one side panel.



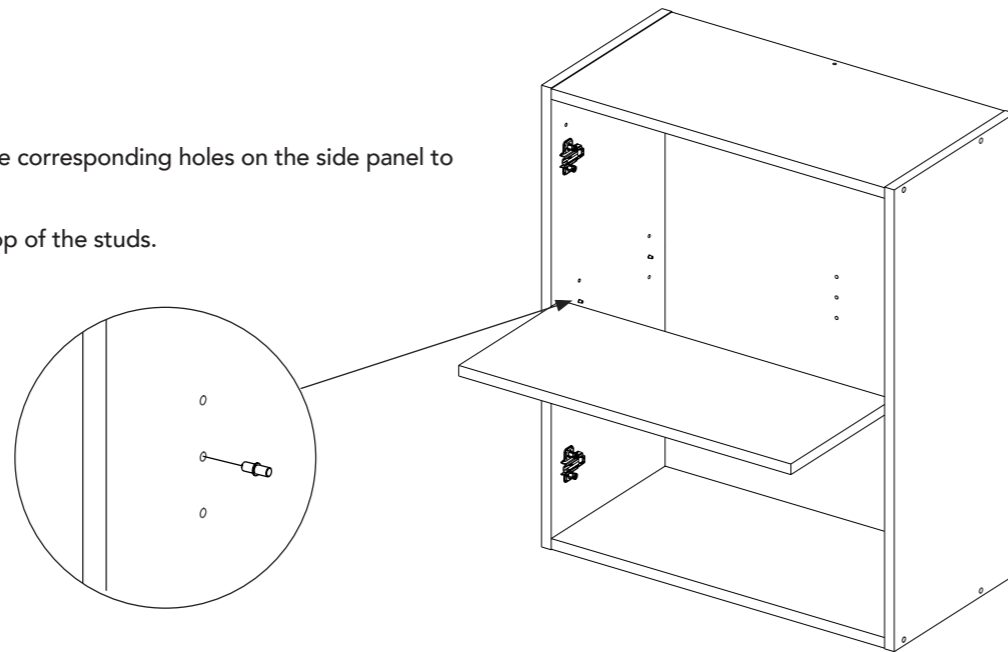
4. Fixing Side Panels to Top, Back and Bottom.

- Align the base, back and top panels onto the dowels on the side panel, as shown in the image.
- Lift and align the second side panel to ensure dowels are aligned with the corresponding holes. Use 50mm cabinet screws to fix the top, back and bottom panels to the side panel.
- Flip the cabinet to secure the other side panel with back, top and base using 50mm Cabinet Screws.



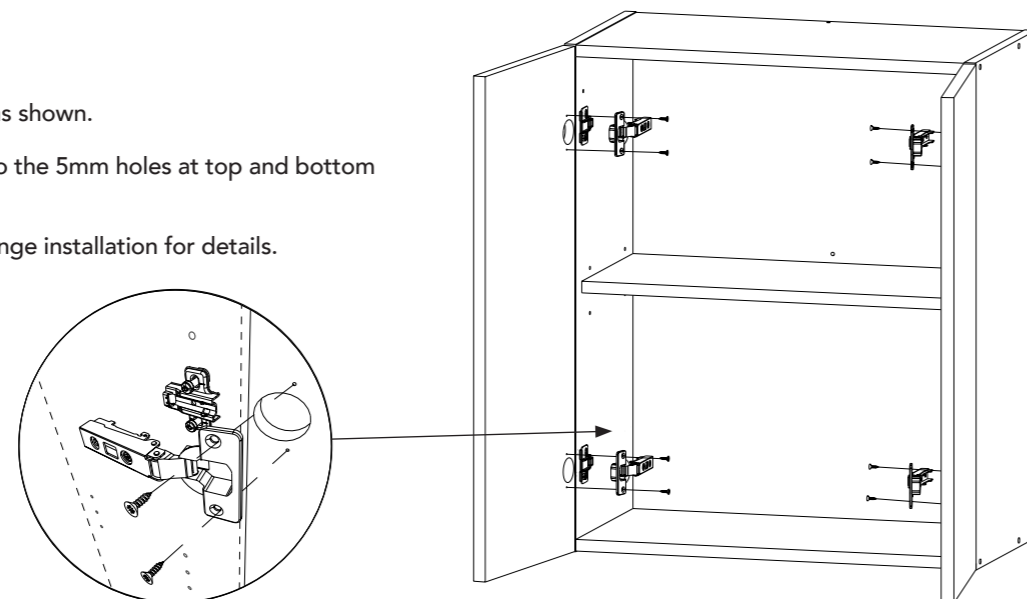
5. Shelf Placement.

- Insert the supplied shelf studs to the corresponding holes on the side panel to achieve the desired height.
- Adjustable shelves simply rest on top of the studs.



6. Fixing the Hinges.

- Fix the hinges using 15mm Screws as shown.
- Fix the door buffers by inserting into the 5mm holes at top and bottom corner of the door.
- Clip doors onto the wall unit. See hinge installation for details.



Note: Door Front (and Optional door buffers) sold separately.

7. Hinge Installation & Adjustments.

- Hook the hinge into the front of the mount.
- Push this button to release the hinge from the mount.
- Push the back down onto the hinge mount until you hear a click.
- Use these screws to adjust door up / down.
- Use these screws to adjust door in/out.
- Use these screws to adjust door right / left.

