

Description: **ROBINHOOD 20L MICROWAVE WHITE**  
Model Number: **RHMW20W**



Model Pictured: **RHMW20W**



## **Read this Manual**

Dear Customer,

- Please carefully read this manual before using the microwave, it will help you to use and maintain the microwave properly.
- Keep it for reference in future.
- Pass it on to any subsequent owner of the appliance.

This manual contains sections on safety Instructions, Operating Instructions, Installation Instructions and Troubleshooting Tips etc.



## **Before Calling for Service**

- To review the section on troubleshooting Tips will help you to solve some common problems by yourself.
- If you cannot solve the problems by yourself, please ask for the help from professional technicians.

# A

## **NOTE:**

The manufacturer, following a policy of constant development and updating of the product, may make modifications without giving prior notice.

Index.....	1
Important Safety Instructions.....	2-4
Utensils in the Microwave. ....	5-6
Product Details. ....	7
Setting Up your Oven.....	7
Installation. ....	8
Operating Instruction. ....	9-14
Troubleshooting.....	15
Disposal. ....	16
Warranty Card. ....	17

# IMPORTANT SAFETY INSTRUCTIONS

## READ CAREFULLY AND KEEP FOR FUTURE REFERENCE.

To reduce the risk of fire, electric shock, injury to persons or exposure to excessive microwave oven energy when using your appliance, follow basic precautions, including the following:

1. **WARNING:** Liquids and other foods must not be heated in sealed containers since they are liable to explode.
2. **WARNING:** It is hazardous for anyone other than a competent person to carry out any service or repair operation that involves the removal of a cover which gives protection against exposure to microwave energy.
3. The appliance is not intended for use by persons (including children) with reduced physical, sensory or mental capabilities, or lack of experience and knowledge, unless they have been given supervised or instruction concerning use of the appliance by a responsible person for their safety.
4. Keep the appliance and its cord out of reach of children.
5. Only use utensils suitable for use in microwave ovens.
6. When heating food in plastic or paper containers, keep an eye on the oven due to the possibility of ignition.
7. If smoke is emitted, switch off or unplug the appliance and keep the door closed in order to stifle any flames.
8. Do not use the oven cavity for storage purposes. Do not store items, such as bread, cookies, etc. inside the oven.
9. Remove wire twist-ties and metal handles from paper or plastic containers/bags before placing them in the oven.
10. Install or locate this oven only in accordance with the installation instructions provided.
11. Eggs in the shell and whole hard-boiled eggs should not be heated in microwave ovens since they may explode, even after microwave heating has ended.
12. This appliance is intended to be used in household and similar applications such as:
  - staff kitchen areas in shops, offices and other working environments;
  - by clients in hotels, motels and other residential type environments;
  - farm houses;
  - bed and breakfast type environments.
13. If the supply cord is damaged, it must be replaced by the manufacturer, its service agent or similarly qualified persons in order to avoid a hazard.
14. Do not store or use this appliance outdoors.
15. Do not use this oven near water, in a wet basement or near a swimming pool.
16. The temperature of accessible surfaces may be high when the appliance is operating. The surfaces are liable to get hot during use. Keep cord away from heated surface, and do not cover any vents on the oven.

## IMPORTANT SAFETY INSTRUCTIONS

17. Do not let cord hang over edge of table or counter.
18. The contents of feeding bottles and baby food jars shall be stirred or shaken and the temperature checked before consumption, in order to avoid burns.
19. Microwave heating of beverages can result in delayed eruptive boiling. Therefore, care must be taken when handling the container.
20. Young children should be supervised to ensure that they do not play with the appliance.
21. The appliances are not intended to be operated by means of an external timer or separate remote-control system.
22. Accessible parts may become hot during use. Young children should be kept away.
23. Steam cleaners are not to be used.
24. During use the appliance becomes hot. Care should be taken to avoid touching heating elements inside the oven.
25. **WARNING:** The appliance and its accessible parts become hot during use. Care should be taken to avoid touching heating elements. Children shall be kept away unless continuously supervised.
26. The microwave oven must be operated with the decorative door open (for ovens with a decorative door.)
27. **WARNING:** Only allow children to use the oven without supervision when adequate instructions have been given so that the child is able to use the oven in a safe way and understands the hazards of improper use.
28. **WARNING:** It is hazardous for anyone other than a trained person to carry out any service or repair operation which involves the removal of any cover which gives protection against exposure to microwave energy.
29. Leave a minimum clearance of 30cm above the oven, and a minimum clearance of 20cm is required between the oven and any adjacent walls.
30. Metallic containers for food and beverages are not allowed during microwave cooking. This requirement is not applicable if the manufacturer specifies size and shape of metallic containers suitable for microwave cooking.
31. The microwave oven is intended for heating food and beverages. Drying of food or clothing and heating of warning pads, slippers, sponges, damp cloth and similar may lead to risk of injury, ignition or fire.
32. The oven should be cleaned regularly and any food deposits removed. The door frame, door seal, cavities and neighbouring parts must be cleaned carefully with a damp cloth when they are dirty.
33. Failure to maintain the oven in a clean condition could lead to deterioration of the surface that could adversely affect the life of the appliance and possibly result in a hazardous situation.
34. The microwave oven is intended to be used for freestanding.
35. The microwave oven must not be placed in a cabinet.

# IMPORTANT SAFETY INSTRUCTIONS

## **PRECAUTIONS TO AVOID POSSIBLE EXPOSURE TO EXCESSIVE MICROWAVE ENERGY**

1. Do not attempt to operate this oven with the door open since this can result in harmful exposure to microwave energy. It is important not to break or tamper with the safety interlocks.
2. Do not place any object between the oven front face and the door or allow soil or cleaner residue to accumulate on sealing surfaces.
3. **WARNING:** If the door or door seals are damaged, the oven must not be operated until it has been repaired by a competent person.
4. If the apparatus is not maintained in a good state of cleanliness, its surface could be degraded and affect the lifespan of the apparatus and lead to a dangerous situation.

## **DANGER: Electric Shock Hazard**

Touching some of the internal components can cause serious personal injury or death. Do not disassemble this appliance.

## **WARNING:**

A short power-supply cord is provided to reduce the risks resulting from becoming entangled in or tripping over a longer cord.

If a long cord set or extension cord is used:

- The marked electrical rating of the cord set or extension cord should be at least as great as the electrical rating of the appliance.
- The long cord should be arranged so that it will not drape over the counter top or tabletop where it can be pulled on by children or tripped over unintentionally.

# UTENSILS IN THE MICROWAVE

## MATERIALS TO BE AVOIDED IN THE MICROWAVE OVEN

Utensils	Remarks
Aluminium tray	May cause arcing. Transfer food into microwave-safe dish.
Food carton with metal handle	May cause arcing. Transfer food into microwave-safe dish.
Metal or metal trimmed utensils	Metal shields the food from microwave energy. Metal trim may cause arcing.
Metal twist ties	May cause arcing and could cause a fire in the oven.
Paper bags	May cause a fire in the oven.
Plastic foam	Plastic foam may melt or contaminate the liquid inside when exposed to high temperature.
Wood	Wood will dry out when used in the microwave oven and may split or crack.

### Utensil Test

1. Fill a microwave-safe container with 1 cup of cold water (250ml) along with the utensil in question.
2. Cook on maximum power for 1 minute.
3. Carefully feel the utensil. If the empty utensil is warm, do not use it for microwave cooking.
- 4. Do not exceed 1 minute cooking time.**

## UTENSILS IN THE MICROWAVE

### MATERIALS YOU CAN USE IN THE MICROWAVE OVEN

Utensils	Remarks
Aluminium foil	Shielding only. Small smooth pieces can be used to cover thin parts of meat or poultry to prevent overcooking. Arcing can occur if foil is too close to oven walls. The foil should be at least 1 inch (2.5cm) away from oven walls.
Browning dish	Follow manufacturer's instructions. The bottom of browning dish must be at least 3/16 inch (5mm) above the turntable. Incorrect usage may cause the turntable to break.
Dinnerware	Microwave-safe only. Follow manufacturer's instructions. Do not use cracked or chipped dishes.
Glass jars	Always remove lid. Use only to heat food until just warm. Most glass jars are not heat resistant and may break.
Glassware	Heat-resistant oven glassware only. Make sure there is no metallic trim. Do not use cracked or chipped dishes.
Oven cooking bags	Follow manufacturer's instructions. Do not close with metal tie. Make slits to allow steam to escape.
Paper plates and cups	Use for short-term cooking/warming only. Do not leave oven unattended while cooking.
Paper towels	Use to cover food for reheating and absorbing fat. Use with supervision for a short-term cooking only.
Parchment paper	Use as a cover to prevent splattering or a wrap for steaming.
Plastic	Microwave-safe only. Follow the manufacturer's instructions. Should be labelled "Microwave Safe". Some plastic containers soften, as the food inside gets hot. "Boiling bags" and tightly closed plastic bags should be slit, pierced or vented as directed by package.
Plastic wrap	Microwave-safe only. Use to cover food during cooking to retain moisture. Do not allow plastic wrap to touch food.
Thermometers	Microwave-safe only (meat and candy thermometers).
Wax paper	Use as a cover to prevent splattering and retain moisture.

## PRODUCT DETAILS

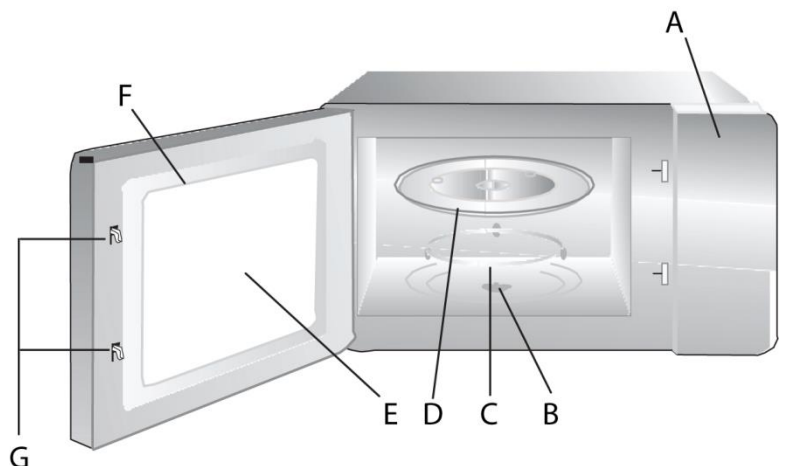
Model:	RHMW20W
Rated Voltage:	230-240V~50Hz
Rated Input Power(Microwave):	1100-1150W
Rated Output Power(Microwave):	650-700W
Oven Capacity:	20L
Turntable Diameter:	255mm
External Dimensions:	W440xD328xH259mm
Net Weight:	Approx. 10.5kg

## SETTING UP YOUR OVEN

### Names of Oven Parts and Accessories

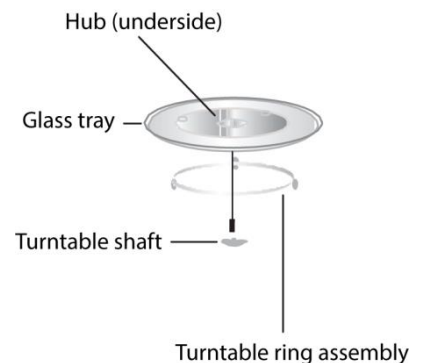
Remove the oven and all materials from the carton and oven cavity. Your oven comes with the following accessories:

- A) Control Panel
- B) Turntable Shaft
- C) Turntable Ring Assembly
- D) Glass Tray
- E) Observation Window
- F) Door Assembly
- G) Safety Interlock System



### Turntable Installation

1. Never place the glass tray upside down. The glass tray should never be restricted.
2. Both glass tray and turntable ring assembly must always be used during cooking.
3. All food and containers of food are always placed on the glass tray for cooking.
4. If glass tray or turntable ring assembly cracks or breaks, contact your nearest authorized service center.





# INSTALLATION

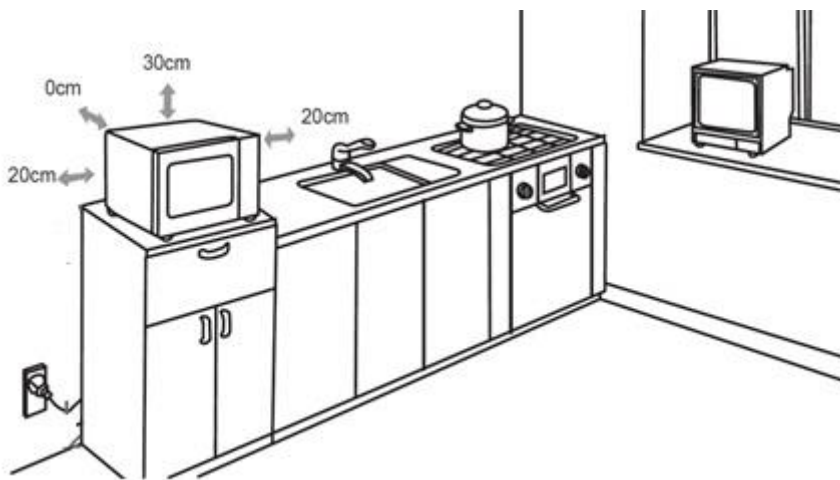
## Countertop Installation

Remove all packing material and accessories. Examine the Microwave oven for any damage such as dents or broken door. Do not install if Microwave oven is damaged.

**Do not remove the light brown Mica cover that is attached to the Microwave oven cavity to protect the magnetron.**

## Installation

Select a level surface that provides enough open space for the intake and/or outlet vents.



1. The rear surface of appliance shall be placed against a wall.
2. Leave a minimum clearance of 30cm above the Microwave oven, a minimum clearance of 20cm is required between the Microwave oven and any adjacent walls.
3. Do not remove the legs from the bottom of the Microwave oven.
4. Blocking the intake and/or outlet openings can damage the oven.
5. Place the Microwave oven as far away from radios and TVs as possible. Operation of microwave oven may cause interference to your radio or TV reception.
6. Plug your Microwave oven into a standard household outlet. Be sure the voltage and the frequency is the same as the voltage and the frequency on the rating label.

**WARNING:** Do not install Microwave oven over a cooktop or other heat-producing appliance. If installed near or over a heat source, the Microwave oven could be damaged and the warranty would be void.

# OPERATING INSTRUCTIONS

## 1. Power Level

11 power levels are available.

Level	10	9	8	7	6	5	4	3	2	1	0
Power	100%	90%	80%	70%	60%	50%	40%	30%	20%	10%	0%
Display	PL10	PL9	PL8	PL7	PL6	PL5	PL4	PL3	PL2	PL1	PL0

## 2. Clock Setting

- (1) Press " CLOCK ", "00:00" will display.
- (2) Press the number keys and enter the current time. For example, time is 12:10 now, please press "1,2,1,0" in turn.
- (3) Press " CLOCK " to finish clock setting. ":" will flash and the clock will be lighted.
- (4) If the numbers input are not within the range of 1:00--12:59, the setting will be invalid until valid numbers are input.

Note:

- (1) In the process of clock setting, if the " STOP/CANCEL " button is pressed or if there is no operation within 1 minute, the Microwave oven will go back to the former setting automatically.
- (2) If the clock needs to be reset, please repeat step 1 to step 3.

## 3. Kitchen Timer

- (1) Press "KITCHEN TIMER ", LED will display 00:00, the first hour figure flash.
- (2) Press the number keys and enter the timer time. (the maximum cooking time is 99 minutes and 99 seconds)
- (3) Press " START/+30SEC. " to confirm setting.
- (4) When the timer time arrives, the buzzer will ring 5 times.  
If the clock be set (12-hour system), LED will display the current time.

## OPERATING INSTRUCTIONS

### 4. Microwave cook

- (1) Press "TIME COOK" once, LED will display "00:00".
- (2) Press number keys to input the cooking time; the maximum cooking time is 99 minutes and 99 seconds.
- (3) Press " POWER " once, LED will display "PL10". The default power is 100% power. Now you can press number keys to adjust the power level.
- (4) Press " START/+30SEC." to start cooking.

Example: to cook the food with 50% microwave power for 15 minutes.

- a. Press "TIME COOK" once."00:00" displays.
- b. Press "1","5","0","0" in order.
- c. Press "POWER" once, then press "5" to select 50% microwave power.
- d. Press "START/+30SEC." to start cooking.

Note:

- 1) In the process of setting, if the " STOP/CANCEL" button is pressed or if there is no operation within 1 minute, the oven will go back to the former setting automatically.
- 2) If "PL0" selected, the Microwave oven will work with fan for no power. You can use this level to remove the odour of the Microwave oven.
- 3) During microwave cooking, "POWER" can be pressed to change the power you need. After pressing "POWER" , the current power will light, now you can press number button to change the power. The oven will work with the selected power for the rest time.

### 5. Speedy Cooking

- (1) In waiting state, instant cooking at 100% power level can be started by select a cooking time from 1 to 6 minutes by pressing number pads1 to 6. Press " START/+30SEC." to increase the cooking time; the maximum cooking time is 99 minutes and 99 seconds.
- (2) In waiting state, instant cooking at 100% power level with 30 seconds' cooking time can be started by pressing " START/+30SEC ". Each press on the same button will increase cooking time by 30 seconds. The maximum cooking time is 99 minutes and 99 seconds.

## OPERATING INSTRUCTIONS

### 6. Weight Defrost Function

- (1) Press "WEIGHT DEFROST ", LED will display "dEF1".
- (2) Press numerical buttons to input weight to be defrosted.  
Input the weight ranged between 100~2000 g.
- (3) If the weight input is not within 100~2000, the input will be invalid.
- (4) Press " START/+30SEC. " to start defrosting and the cooking time remained will be displayed.

### 7. Time Defrost Function

- (1) Press "TIME DEFROST ", LED will display "dEF2".
- (2) Press number pads to input defrosting time. The effective time range is 00:01~99:99
- (3) The default microwave power is power level 3. If you want to change the power level, press "POWER" once, and the LED will display "PL 3", and then press the number pad of the power level you wanted.
- (4) Press "START/+30SEC. " to start defrosting. The remained cooking time will be displayed.

### 8. Popcorn

- a) Press "POPCORN " repeatedly until the number you wish appears in the display, "50","100" grams will display in order.  
For example, press "POPCORN" once, "50" appears.
- b) Press " START/+30 SEC. " to cook, buzzer sounds once. When cooking is finished, buzzer will sound five times and then turn back to waiting state.

### 9. Potato

- a) Press "POTATO " repeatedly until the number you wish appears in the display, "1","2","3" will display in order.  
"1"SET : 1 potato (approximate 230 gram)  
"2"SETS: 2 potatoes (approximate 460 gram)  
"3"SETS: 3 potatoes (approximate 690 gram)  
For example, press "POTATO" once, "1" appears.
- b) Press " START/+30 SEC. " to cook, buzzer sounds once. When cooking is finished, buzzer will sound five times and then turn back to waiting state.

# OPERATING INSTRUCTIONS

## 10. Frozen Vegetable

- a) Press " FROZEN VEGETABLE " repeatedly until the number you wish appears in the display, "150", "350", "500" grams will display in order.

For example, press "FROZEN VEGETABLE" once, "150" appears.

- b) Press " START/+30 SEC. " to cook, buzzer sounds once. When cooking is finished, buzzer will sound five times and then turn back to waiting state.

## 11. Beverage

- a) Press " BEVERAGE " repeatedly until the number you wish appears in the display, "1", "2", "3" cup will display in order. One cup is about

120ml. For example, press "BEVERAGE" once, "1" appears.

- b) Press " START/+30 SEC. " to cook, buzzer sounds once. When cooking is finished, buzzer will sounds five times and then turn back to waiting state.

## 12. Dinner Plate

- a) Press " DINNER PLATE " repeatedly until the number you wish appears in the display, "250", "350", "500" grams will display in order.

For example, press "DINNER PLATE" once, "250" appears.

- b) Press " START/+30 SEC. " to cook, buzzer sounds once. When cooking is finished, buzzer will sound five times and then turn back to waiting state.

## 13. Pizza

- a) Press "PIZZA " repeatedly until the number you wish appears in the display, "100", "200", "400" grams will display in order.

For example, press "PIZZA" once, "100" appears.

- b) Press " START/+30 SEC. " to cook, buzzer sounds once. When cooking is finished, buzzer will sound five times and then turn back to waiting state.

## OPERATING INSTRUCTIONS

### 14. Memory Function

- (1) Press "0/MEMORY" to choose memory 1-3 procedure. The LED will display 1, 2, 3.
- (2) If the procedure has been set, press "START/ +30 SEC." to use it. If not, continue to set the procedure. Only one or two stages can be set.
- (3) After finishing the setting, press "START/ +30 SEC." once to save the procedure and turn back to the waiting states. If press "START/ +30 SEC." again, it will start cooking.

Example:

To set the following procedure as the second memory, that is memory 2.

To cook the food with 80% microwave power for 3minutes and 20 seconds. The steps are as follow:

- a. In waiting states, press "0/MEMORY" twice, stop pressing until the screen displays "2".
- b. Press "TIME COOK" once, then press "3","2","0" in order.
- c. Press "POWER" once,"PL10" display, then press "8" and "PL8" displays.
- d. Press "START/ +30 SEC." to save the setting. Buzzer sounds once then turn back to waiting states. If you press "START/+30SEC." again, the procedure will be operated at once.
- e. If the electricity is not cut off, the procedure will be saved all the time. If it is, the procedure needs to reset.
- f. If you want to run the saved procedure, in waiting state, press "0/MEMORY" twice, screen displays "2", then press "START/+30SEC." to run.

### 15. Multi-stage cooking

At most 2 stages can be set for cooking. In multi-stage cooking, if one stage is defrosting, then defrosting shall be placed at the first stage automatically.

Note: Auto cooking cannot work in the multi-stage cooking.

Example: if you want to cook with 80% microwave power for 5 minutes + 60% microwave power for 10 minutes. The cooking steps are as following:

- (1) Press "TIME COOK" once, then press "5","0","0" to set the cooking time;
- (2) Press "POWER" once, then press "8" to select 80% microwave power.
- (3) Press "TIME COOK" once, then press "1","0","0","0" to set the cooking time;
- (4) Press "POWER" once, then press "6" to select 60% microwave power.
- (5) Press "START/ +30 SEC." to start cooking.

### 16. Inquiring Function

- (1) In cooking state, press "CLOCK ", the LED will display clock for three seconds.
- (2) In the microwave cooking state, press "POWER" to inquire microwave power level and the current microwave power will be displayed. After three seconds, the oven will turn back to the previous state. In multi-stage state, the inquiring way can be done by the same way as above.

### 17. Lock Function For Children

Lock: In waiting state, press "STOP/CANCEL" for 3 seconds, there will be a long "beep" denoting the entering into the children-lock state; meanwhile, LED will display.

Lock quitting: In locked state, press "STOP/CANCEL" for 3 seconds, there will be a long "beep" denoting that lock is released.

### 18. Cooking End Reminding Function

When the cooking is over, the buzzer will sound 5 "beep" to alert user the cooking is finished.

### 19. Other Specifications

- (1) In standby state, if the set clock digital tube displays current time, the icon ": " would flash; otherwise, it shows " 0:00 ".
- (2) In setting function state, LED displays corresponding setting.
- (3) In working or pause state, LED displays surplus cooking time.

## Troubleshooting

Normal Operation	
Microwave oven interfering with TV reception	Radio and TV reception may be interfered with when the microwave oven is operating. It is similar to the interference of small electrical appliances, such as electric mixers, vacuum cleaners and electric fans. This is normal.
Dim oven light	In low power microwave cooking, the oven light may become dim. This is normal.
Steam accumulating on door, hot air out of vents	Whilst cooking, steam may come out of food. Most of this will dissipate through the vents. Some may accumulate on a cool place like the door. This is normal.
Microwave Oven started accidentally with no food in	It is forbidden to run the unit without any food inside. This is very dangerous.

Problem	Possible Cause	Remedy
Microwave Oven cannot be started	Power cord not plugged in properly.	Unplug. Plug back in again after 10 seconds.
	Fuse blown or circuit breaker tripped.	Replace fuse or reset circuit breaker.
	Trouble with outlet.	Test outlet with other appliances.
Microwave Oven does not heat	Door not closed properly.	Ensure that the door is properly closed.
Glass turntable makes noise when microwave oven operates	Dirty roller rest and oven bottom.	Refer to Maintenance and Cleaning” to clean dirty parts.



## Disposal

Dispose of the microwave packaging material correctly.

All packaging materials can be recycled.

Plastic parts are marked with the standard international abbreviations:

PE	for polyethylene, e.g. sheet wrapping material
PS	for polystyrene, e.g. padding material
POM PP	polyoxymethylene, e.g. plastic clips polypropylene, e.g. Salt filler
ABS	Acrylonitrile Butadiene Styrene, e.g. Control Panel.



- Packaging material could be dangerous for children!
- For disposing of package and the appliance please go to a recycling centre. Therefore cut off the power supply cable and make the door closing device unusable.
- Cardboard packaging is manufactured from recycled paper and should be disposed in the waste paper collection for help recycling.
- By ensuring this product is disposed of correctly, you will prevent potential negative consequences for the environment and human health, which could otherwise be caused by inappropriate waste handling of this product.
- For more detailed information about recycling of this product, please contact your local city office and your household waste disposal service.

**DISPOSAL:** Do not dispose this product as unsorted municipal waste. Collection of such waste separately for special treatment is necessary.

## Warranty Certificate (New Zealand)

### Terms and Conditions

The following conditions apply in respect of the warranty given in this certificate:

**1.** Robinhood (NZ) Limited warrants the following Robinhood products against manufacturing defects and faulty materials, under normal use and subject to the exclusions in this certificate, for a period of:

**Rangehood, Ovens, Cooktops, Dishwashers, Microwaves-** 24 months from date of original purchase for domestic use.

**Uniduct** – 12 months from date of original purchase for domestic use.

**Ironing centre** – 12 months from date of original purchase for domestic use.

**Taps, including Pull-out and Mixer taps** – 5 years on parts only from date of original purchase domestic for use, 24 months parts and labour from date of original purchase for domestic use

**Sinks sets**– 5 years on stainless steel sink including draining bench from date of original purchase for domestic use, 6 months on all stainless steel accessories, including wire rack, colander and tray from date of original purchase for domestic use.

**Laundry Tub** - 5 years on stainless bowl, 24 months on Tap, Cabinet and other components from the date of original purchase for domestic use.

"Original purchase", when used in this certificate, means purchase by the customer directly from Robinhood or one of its approved suppliers.

**2.** This warranty is limited to the repair or replacement, at our option, within the warranty period of any component part which we at our discretion determine to contain faulty materials or a manufacturing defect in breach of this warranty. This warranty is subject to terms and conditions set out in this certificate.

**3.** The warranty only applies within New Zealand.

**4.** The customer must produce the original invoice or other purchase documentation as proof of the original purchase date.

### Warranty exclusions

**1.** The warranty does not apply where, in Robinhood's opinion:

The defect is caused by misuse, wear and tear, dirt, fire or accidental damage.

The product has been repaired or serviced by an unauthorised person.

The product was not installed in accordance with our instructions.

The product was purchased overseas or was not designed for use in New Zealand.

The product was not used, cleaned or cared for in accordance with our instructions.

The product was used outdoors.

**2.** In addition, this warranty does not extend to damage or defects which in our opinion, directly or indirectly arise from or are due to:

Exposing the product to acidic or corrosive materials or chemicals such as dyes, solvents, denture cleaner or acetone;

Using inappropriate household cleaning products such as abrasive cream or powder cleansers, furniture polish, bleach, mentholated spirits, drain cleaners, sugar soap, metal pads and strongly alkaline or acidic cleaners;

Heat damage, including from washing the product at high temperatures;

Impact or mishandling the product, including the impact caused by objects scraped along, thrown or dropped on the product surface or excessive weight being placed on the product;

Structural or support changes in or affecting the building or the application where the product has been installed;

Failure to clean or maintain the product as recommended; or

any other causes specified in the product information as being excluded from this warranty.

**3.** Variations with the colour or gloss within the product or any ageing or fading of colour, shine or gloss level over time are not covered by this warranty. The warranty does not cover visual imperfections or blemishes in the surface and edges of the product that were not brought to your supplier's attention at the time you inspected the product.

**4.** Costs incurred on installation or removal of a product, or any reinstallation of a product, or any associated costs, are not covered by this warranty.

**5.** Robinhood will not be liable for consequential or indirect loss or damage whatsoever and however arising out of or in connection with the supply, performance or removal of the product, including (but not limited to) loss of profit, loss of revenue, loss of contract, loss of goodwill or increased cost of workings, even if due to the negligence of Robinhood or any of its approved suppliers, employees or agents.

**6.** Charcoal filters and light bulbs are not covered by this warranty

**7.** This warranty and the statements contained in this certificate or other documents given to you do not exclude, restrict or modify the application of any term implied into this warranty by statute, provided that (to the extent any statutory provision permits Robinhood to limit its liability for a breach of an implied condition or warranty) Robinhood's liability for such breach is limited to the payment of the cost of replacing the product, repairing the product or acquiring an equivalent product.

**8.** Subject to clause 5, our obligations under this warranty are limited to those set out in this certificate, and this warranty is expressly instead of all other warranties, express or implied, including any implied warranty of merchantability or fitness for a particular purpose and notwithstanding any course of dealing between the parties or custom and usage in trade to the contrary.

Terms and conditions are subject to change.

17

Should you require service please contact us on:

New Zealand

Monaco Corporation Limited

Telephone: 0800 760 667

Facsimile: 0800 276 246

Email: [enquiries@robinhood.co.nz](mailto:enquiries@robinhood.co.nz)

[www.robinhood.co.nz](http://www.robinhood.co.nz)

 Robinhood