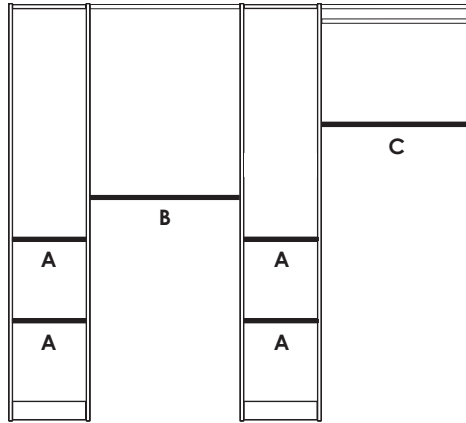


SHELF PACK

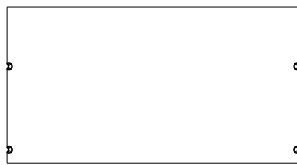
Assembly Instructions

Suitable for all Towers (A),
Wardrobe (B) and
End Pack (C) Shelves:



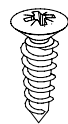
Art. 730.83.219

Wardrobe Components included.



SHELF (x1)

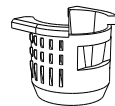
HÄFELE Hardware included.



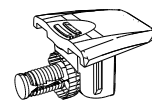
CABINET
SCREWS
(C,x4)



'L' BRACKET
(C,x2)



CONNECTOR SLEEVES
(A, B&C x4)

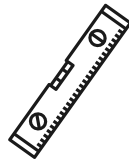


CONNECTOR
(A, B&C x4)

Required Tools.



SCREWDRIVER



LEVEL



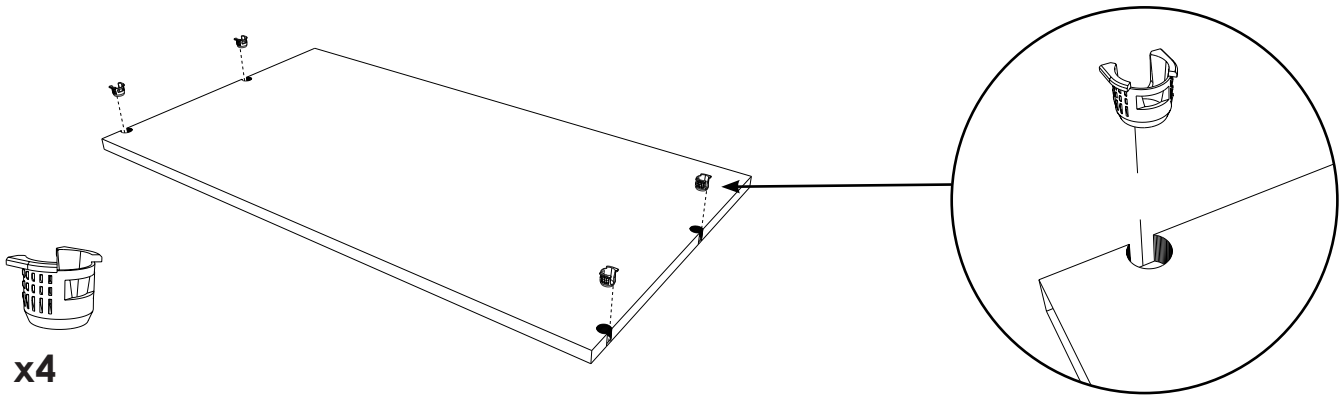
LADDER

Handy Note: Please read the instructions carefully before you start and make sure to identify the parts you need for each step. When assembling it is best to do on a soft surface to prevent damage. **Your Connex 15 Year Home Use Warranty will not apply to incorrectly assembled and/or installed product. Follow the advice of your selected wall fixings (sold separately) to ensure suspension rail can support loaded wardrobes.**

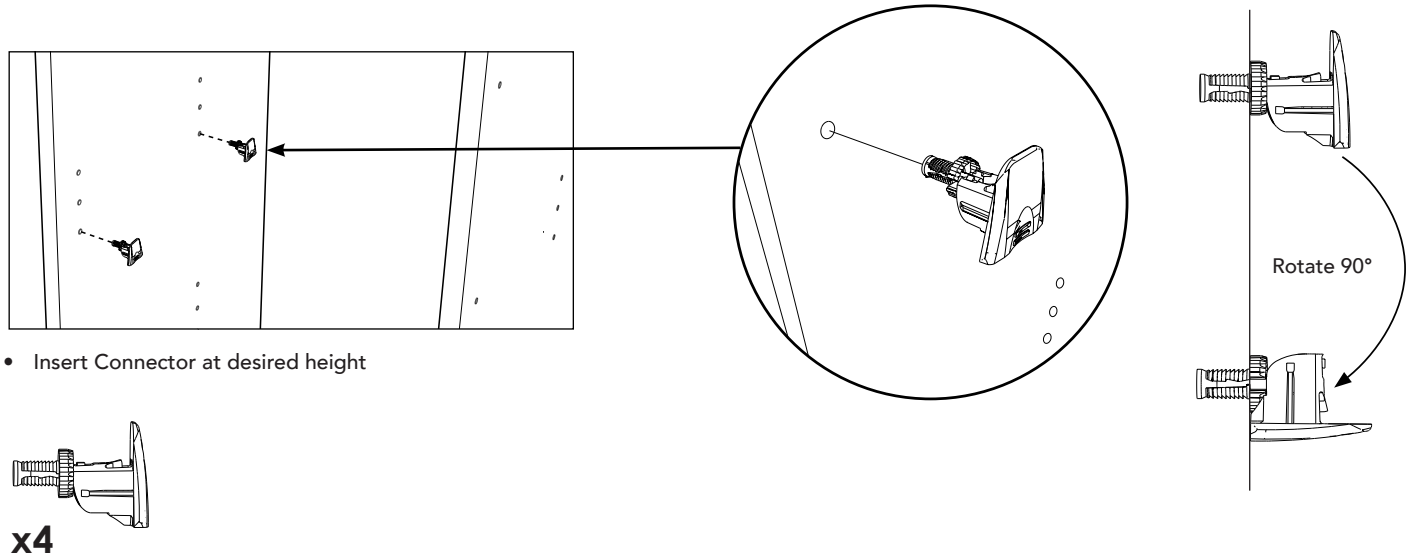
Manufactured in New Zealand for: Mitre 10 New Zealand Limited.



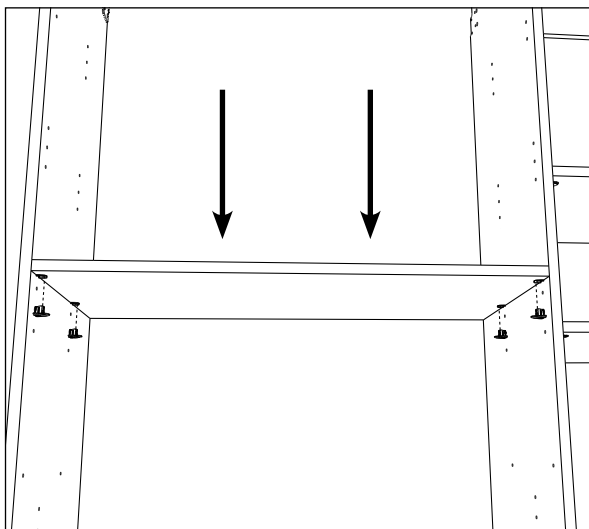
1. Inserting the Connector Sleeve.



2. Inserting the shelf connector.



3a. Place Shelf onto the Connectors.

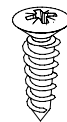


b. Trimming shelf to suit wall adjustment if needed

End Pack Shelf (C) only.



x2



x4

