



BUILD YOUR OWN HANGING STARS

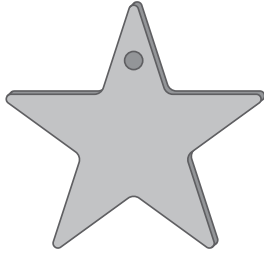
Create a hanging stars display with a square frame and threaded stars for meaningful and fun DIY craft with your kids.

CAUTION: Kit contains components with functional sharp points. Adult supervision required. Please dispose of any components if they become damaged after assembly. Use safety goggles at all times. Small parts: not suitable for children under three years. Strangulation hazard due to the long string.



PART LIST

Nails x10
(8 Required)



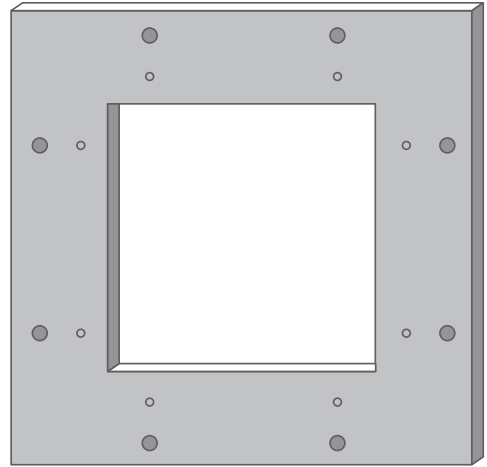
Hanging stars x8



Short fixing strip x2



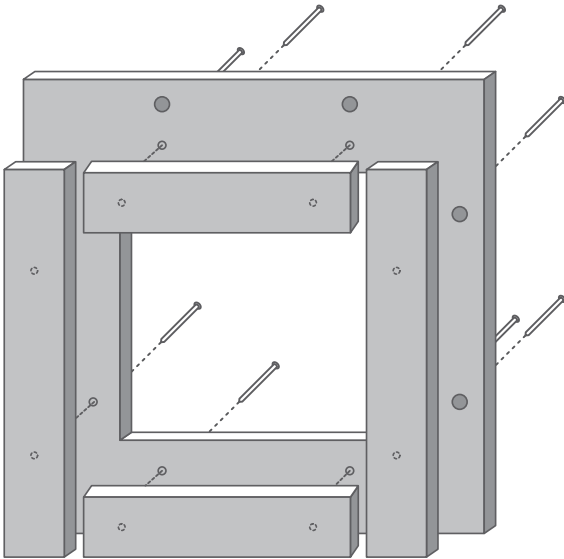
Long fixing strip x2



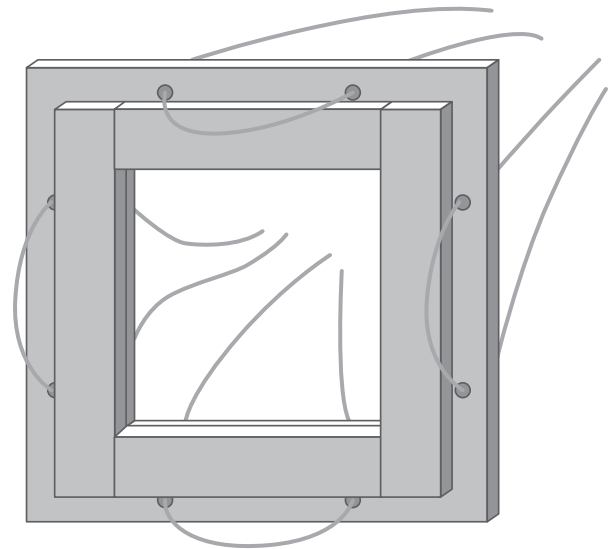
Square frame x1



String x 8



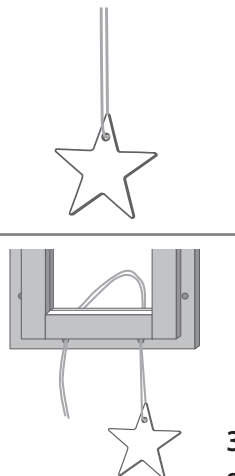
1. Assemble the fixing strips together with eight nails to create the frame.



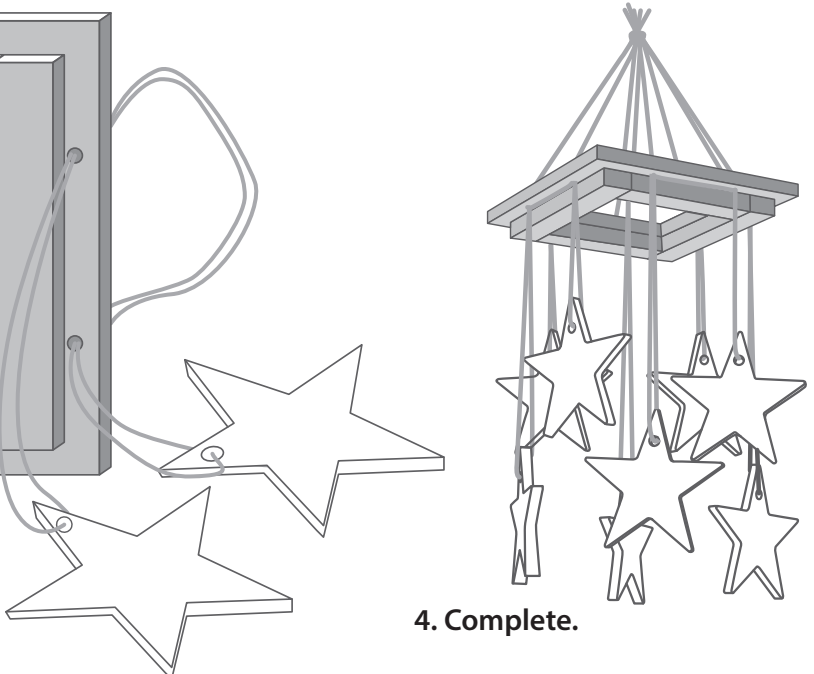
2. Thread the pieces of string through the frame as shown and tie in a knot at the top.



Put stickers on the front and back of the stars.



3. Thread string through each star and the frame as shown.



4. Complete.