

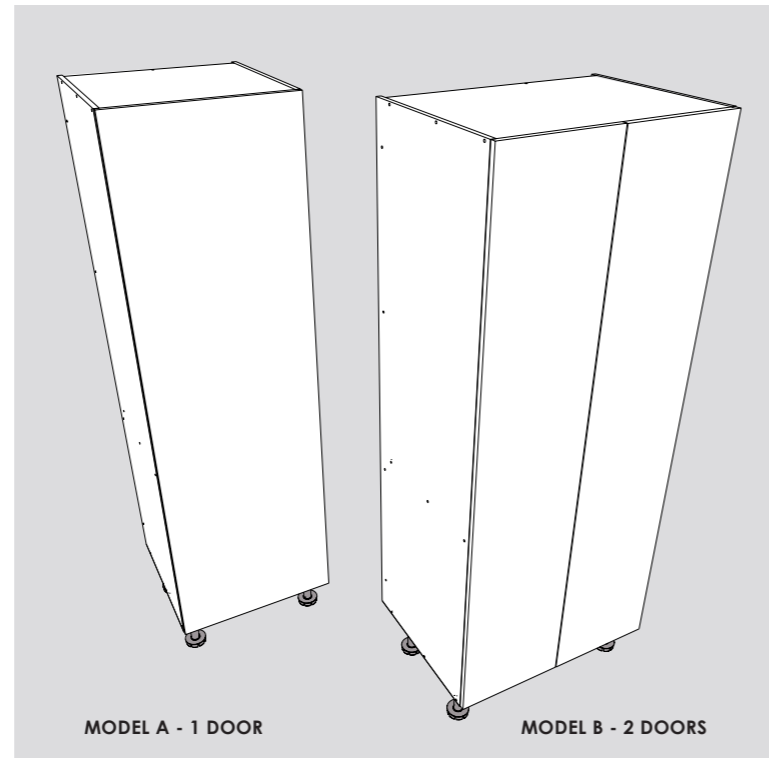
PANTRY CABINET

- 5 SHELF

Assembly Instructions

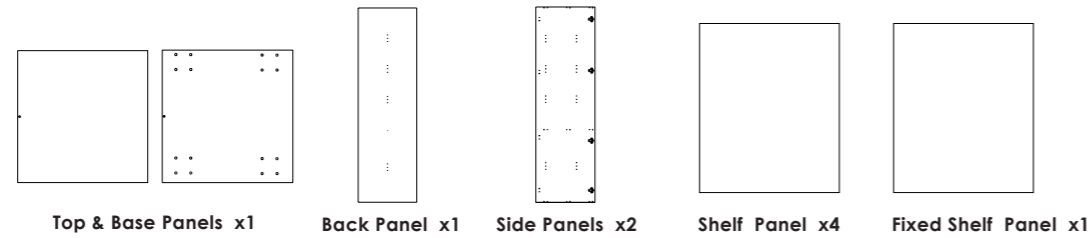
Suitable for Pantry Cabinets
P300-IMP, P400-IMP, P450-IMP
P600-IMP, P800-IMP, P900-IMP

732.25.824



Handy Note: Please make sure to identify the parts you need for each step. Making sure to read the instructions carefully before you start. When assembling it is best to assemble on a soft surface to prevent damage.

Cabinet Panels included.



HÄFELE Hardware included.

Legend
A. = P300-IMP/P400 IMP
P450-IMP
B. = P600-IMP
C. = P800/P900 IMP

SCREWS A, B (29), C (32) A (8), B, C (16)	SHELF STUD A, B (16), C (20)	LEG BASE A, B, C (4)	TOEKICK CLIP A, B, C (2)	HINGE MOUNT A (4), B, C (8)
DOWELS A, B, C (26)	FOOT A, B, C (4)	ADJ LEGS A, B, C (4)	HINGE A (4), B, C (8)	

Required Tools.

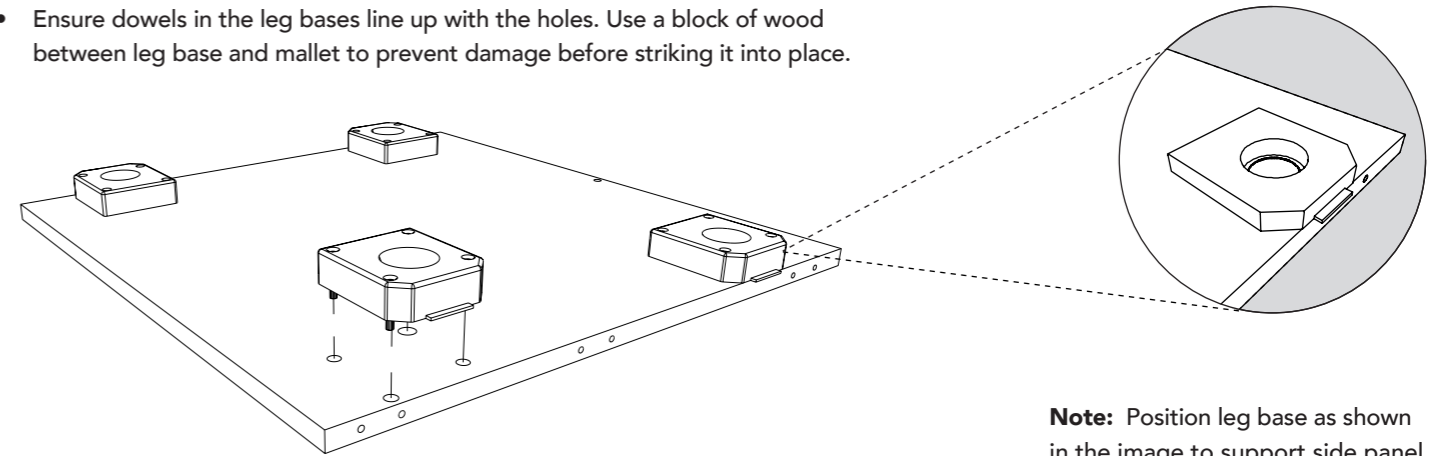


Handy Tools.



1. Installing Leg Bases.

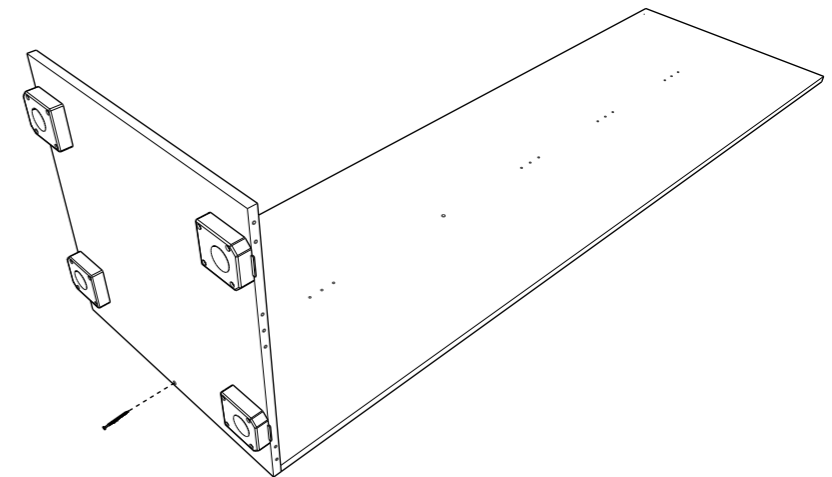
- Fix the Leg bases by aligning them on the base panel as shown.
- Ensure dowels in the leg bases line up with the holes. Use a block of wood between leg base and mallet to prevent damage before striking it into place.



Note: Position leg base as shown in the image to support side panel.

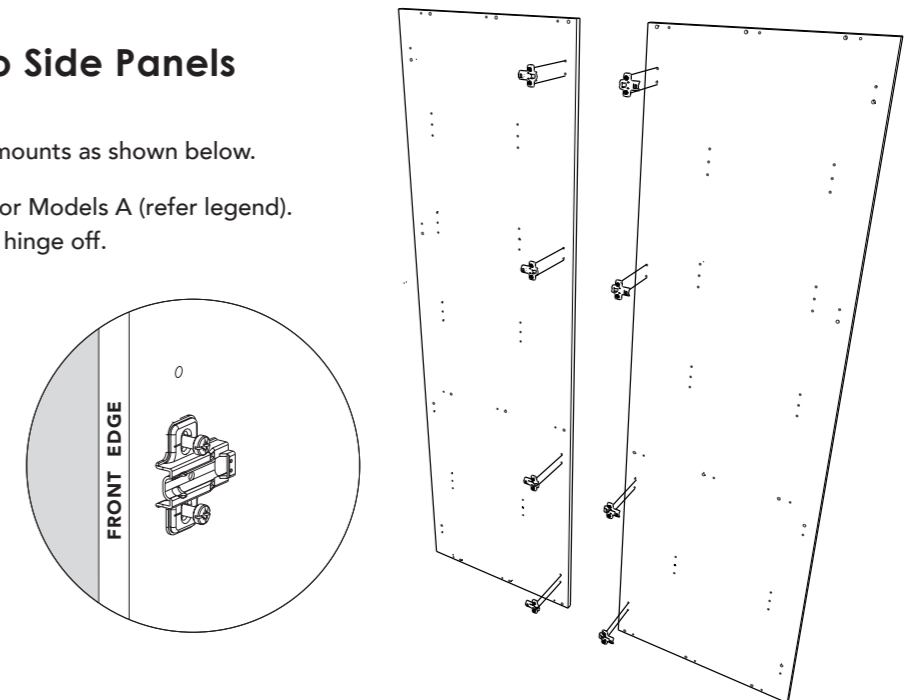
2. Fixing Bottom and Back Panels.

- Lay the back down flat as shown.
- Use 50mm Cabinet Screws to fix the bottom panel to the back panel.



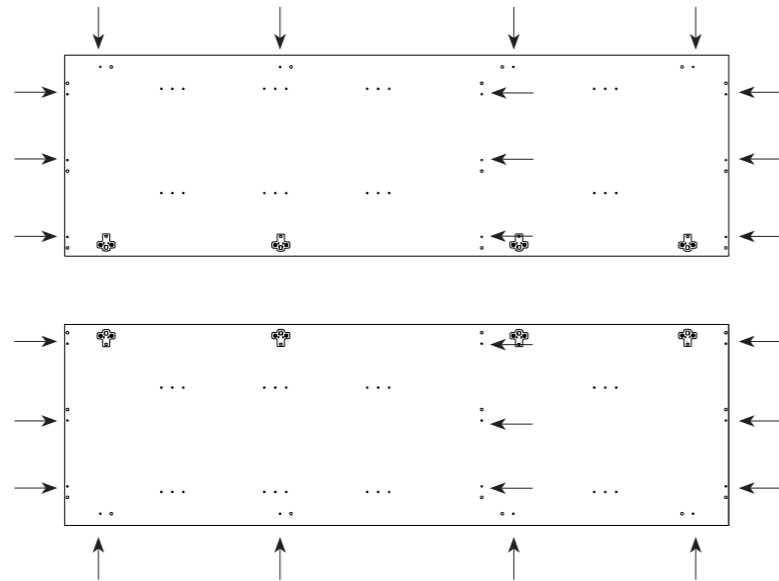
3. Fixing Hinge Mounts to Side Panels

- Lay the side panels flat and fix the hinge mounts as shown below.
- **Note:** fix hinge mounts only on one side for Models A (refer legend). This will be the side you want the door to hinge off.



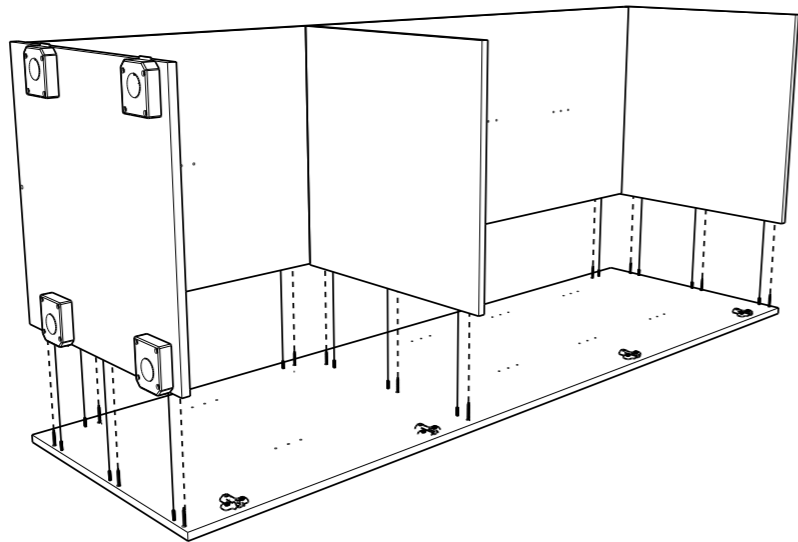
4. Inserting the Dowels

- While laying the side panels down flat, insert the dowels into the holes as marked arrows in the diagram.



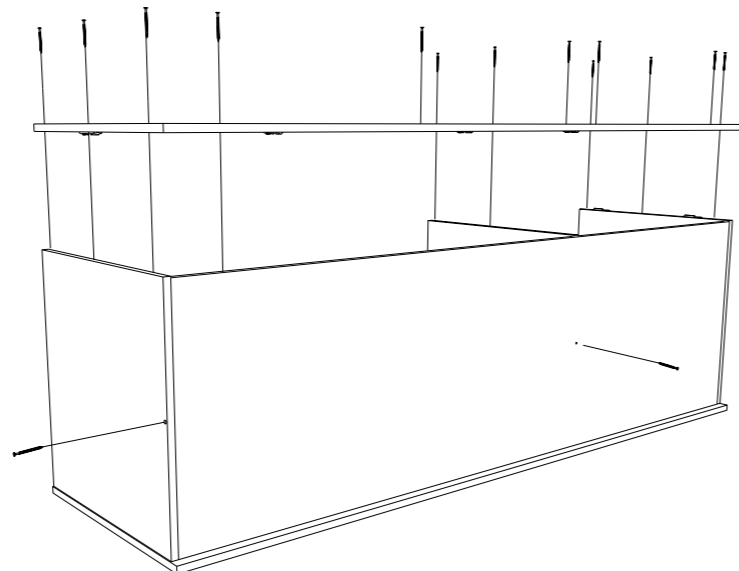
5. a. Fixing Side Panels to Bottom, Top & Fixed Shelf.

- Lay one side panel down flat. Align the base and back panel with the dowels on the side panel. Then, align the top panel and fixed shelf onto the dowels as shown in the diagram.
- Gently knock into place.



b. Fixing last Side Panel.

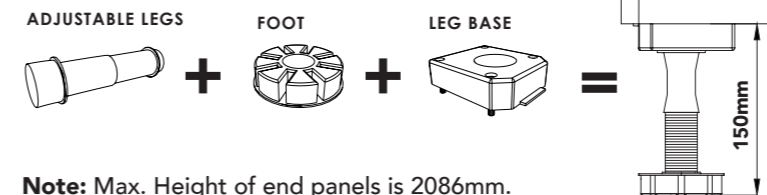
- Lift and align the second side panel to ensure dowels are aligned with the corresponding holes. Use 50mm Cabinet screws to fix the top, back and bottom and shelf to the side panel.
- Fix the top panel and fixed shelf to the back panel from the exterior, using the supplied 50mm cabinet screws. Flip the cabinet to secure the other side panel using 50mm cabinet screws to the back, top, base and fixed shelf panel.



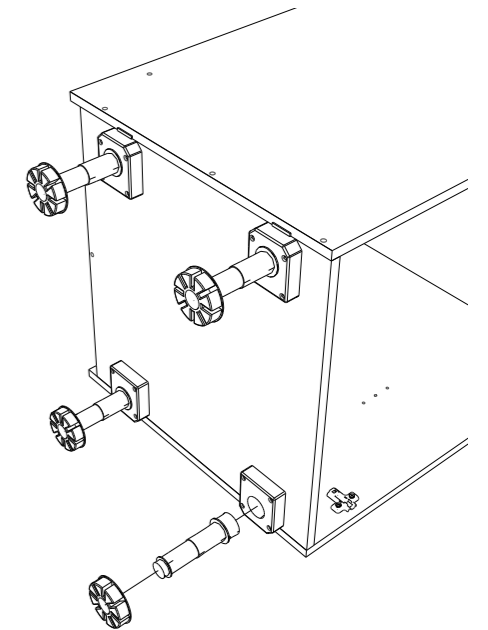
6. Fixing Legs to Leg Bases.

- Cabinet Feet:** Push the supplied adjustable leg into the foot and then insert it into the leg base attached to the base panel.

- Height of the Adj Legs = $\pm 150\text{mm}$
- Height of the cabinet = 1936mm
- Height of cabinet + foot = 2086mm

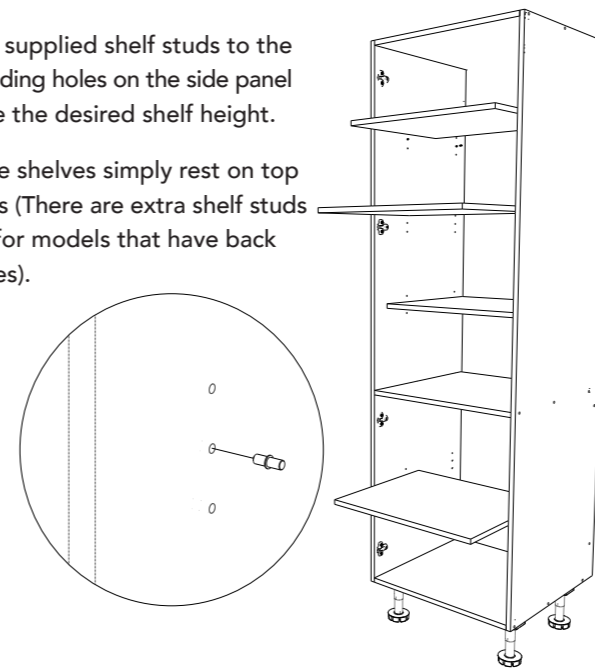


Note: Max. Height of end panels is 2086mm.



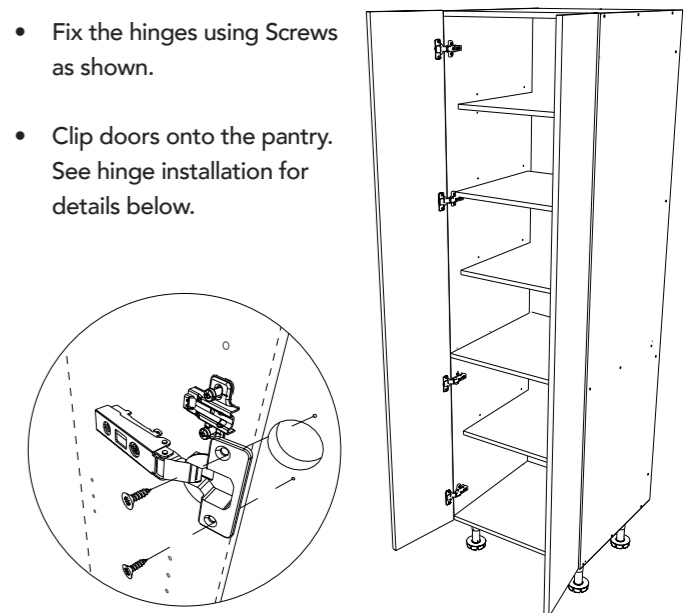
7. a. Fitting Adjustable Shelves.

- Insert the supplied shelf studs to the corresponding holes on the side panel to achieve the desired shelf height.
- Adjustable shelves simply rest on top of the pins (There are extra shelf studs supplied for models that have back panel holes).



b. Fitting Door Hinges.

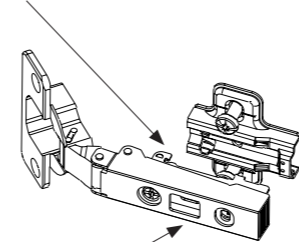
- Fix the hinges using Screws as shown.
- Clip doors onto the pantry. See hinge installation for details below.



Note: Door Front (and Optional door buffers) sold separately.

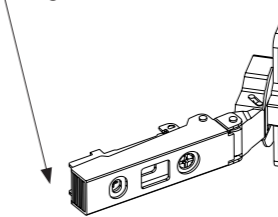
8. Hinge Installation & Adjustments.

- Hook the hinge into the front of the mount.

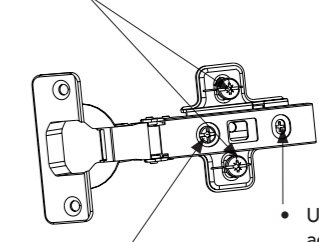


- Push the back down onto the hinge mount until you hear a click.

- Push this button to release the hinge from the mount.



- Use these screws to adjust door up / down.



- Use these screws to adjust door in/out.

- Use these screws to adjust door right / left.