

I BUILT™

WET AREA PANNELLING

WALLART INSTALLATION GUIDE

March 2023



WallART New York White

WALLART™

WallART Wet Area Wall Panelling

Contents

WallART Wet Area Wall Panelling	1
Limitations	1
Product description	1
Technical details	1
General	2
Purpose	2
WallART Range	3
Planning	4
WallART Installation Instructions	5
WallART Installation	6
Installation Details	9

Limitations

New Zealand Wood Products Ltd (NZWOOD) accepts no liability or responsibility if the information contained in this document is incorrectly interpreted, inappropriately applied, or used in a manner other than explicitly set out in this design guide.

WallART must not be used in the following applications:

- Full water submersion.
- WallART is a non-structural internal lining that cannot be used
- In lieu of plasterboard bracing or ply bracing.
- Exterior applications.
- Saunas.
- Next to open flame or high heat source (refer to hob splash back/flame clearance requirements).
- On curved walls.

Product description

WallART wet area panelling is a high pressure laminate that is versatile and durable, making it perfect for non-structural lining applications in bathrooms, kitchens, laundries and shower recesses.

Quality assurance

Product tested and approved to international standards:

ISO 4586: Dusk Grey, Carrara Ice and Snow White

EN 438: Concrete Matt, New York White, New York Black and Designer White

Technical details

Sheet sizes:	2400mm x 1200mm (All colours) 2400mm x 900mm (Snow White/Dusk Grey only)
Thickness:	3.0mm (tolerance ± 0.2 mm)
Finish:	Gloss Matt (Concrete only)
Density:	1450kg/m ³
Weight:	4.35kg/m ²

Compliance with the New Zealand Building Code (NZBC)

This guide offers information for designing and installing IBuilt WallART wet area panelling in both residential and commercial applications.

When correctly specified and installed IBuilt WallART meets the minimum requirements of the New Zealand Building Code clauses B2/AS1 and E3/AS1.

Acceptable Solution E3/AS1 section 3.1.2 Walls (Clause G) identifies "Water resistant sheet linings finished with decorative high-pressure laminate or factory applied polyurethane or resin" to walls will satisfy the performance requirements for **impervious and easily cleaned surfaces in areas exposed to watersplash.**

General

Purpose

This document will correctly help design, specify and install IBuilt™ WallART wet area linings.

The information and details contained in this document have been developed primarily for both domestic and commercial applications to satisfy the requirements of the New Zealand Building Code Section E3 (internal moisture).

For the most up to date information please refer to the online guide found on the **IBuilt website** - www.ibuilt.co.nz.

Note: Other manufacturers' products may have different properties and therefore cannot be substituted or designed using information contained in this document.

Skills required

There are no Licensed Building Practitioner (LBP) requirements for WallART installation. However it is recommended that installers are competent using standard building tools and are familiar with standard building techniques.

Technical assistance

For additional technical or installation assistance please call 0800 022 352 or email the technical team at enquiries@ibuilt.co.nz

Maintenance

To maintain its original lustre, WallART lining should be cleaned with a mild liquid non-abrasive cleaner. Avoid using abrasive powder cleaners.

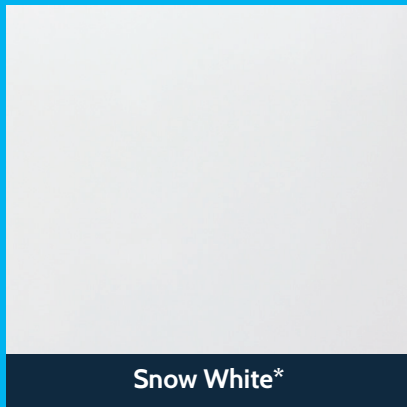


WallART Range

Sheet colours



Dusk Grey*



Snow White*



Carrara Ice*



Concrete Matt



New York White (200x75mm)#



New York Black (200x75mm)#



Designer White (200x300mm)#

Note:

* Dusk Grey & Carrara Ice have Snow White on the reverse side.

Trimming of tile patterns may be required for correct panel alignment prior to installation.

PVC Joiner Colours



Snow White

Use with: Snow White, Designer White and New York White.



Carrara Ice

Use with: Concrete Matt and Carrara Ice.



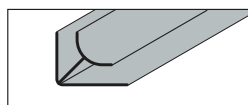
Brushed Aluminium

Use with: Dusk Grey, New York Black, Concrete Matt.

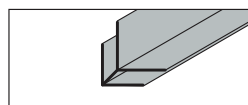


Black

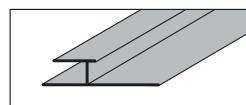
Use with: New York Black.



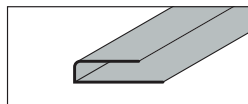
Internal Corner



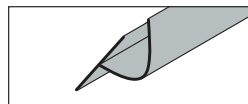
External Corner



Sheet Joiner



Top/End Cap



Bath Mould

All joiner lengths are available in 2.4m lengths.

Planning

Safety first

When working with products that generate dust it is advisable that you wear protective goggles, a dust mask and work gloves. Storage and work areas should be well ventilated.

Conditioning

It is important that you condition your panels by placing them in the room where they will be installed. Leave a space between sheets to allow for air circulation. For rooms above ground level, allow panels to condition for 24 hours. For rooms below ground level, allow for 48 hours.

Handling

To avoid scratching the surface of your panels, ensure that the work area remains clean, avoid contact between the panel and abrasive surfaces and take care when moving the panel to avoid chipping any edges. Note: Some sheets have a protective film on both sides. This must be removed before installation.

Tools and materials

The following tools and accessories may be needed to install WallART.



Caulking gun



Skill saw



Electric drill & Holesaw



Fine tooth hacksaw



Hammer



Carpenters square



Sand paper



Spirit level



Tape measure



Turpentine & Rags



Wood plane



Hand saw



Circular saw



Bond breaker tape & Masking tape



Adhesive & Silicone sealants

WallART Installation Instructions

Planning and preparation

Before you start you need to be aware of the waterproofing and water resistance requirements for building elements in wet areas. You may be required to waterproof the area behind the WallART depending on where it is to be installed.

This may also determine which installation method you use. Check with your local building authority regarding waterproofing of wet areas before proceeding. It is also very important to check that the walls are flat, square, and plumb before starting and periodically during installation. Calculate the number of panels required to complete your project and gather the necessary tools.

If the pattern on the sheet needs to align with the adjacent sheet, care needs to be taken with both the orientation of the panel (top & bottom) and allowance may need to be taken to trim sheets to match.

Adhesives

Synthetic rubber based adhesives are recommended like; Sika Showerbond.
Rigid or semi rigid adhesive is not recommended.

Silicone joints

WallART can be installed using a butt joint system rather than the matching joining strip. If you choose to do this, bond breaker tape is to be applied to the timber frame at the centre of the joint before fixing the sheet to the wall. Leave a 3mm gap between the sheets using an off cut as a spacer.

Run masking tape down the sides of each joint and fill with a matching bathroom grade silicone sealant. Trowel off any surplus and remove masking tape. Wipe off any excess silicone on the surfaces using a damp cloth or mineral turpentine.

Recommended caulking compound is Sika Flex NG

Silicone joints within shower area must not be used.
Sheet joints should use the recommended PVC joiner that has been sealed accordingly.

Cutting, drilling and shaping

When cutting straight lines use a fine-tooth handsaw and always cut with the panel face up (through the face). If using a fine tipped tungsten machine saw, ensure the panel is face down. Sand or hand plane cut edges to achieve a smooth finish. Use a fine-toothed hacksaw to cut your colour matched joiners to size.

When cutting holes for taps, shower fitting and pipes, measure and mark the outline of the area on the face of the panel, then drill and cut with the face up. For holes 20mm or larger in diameter, a 2mm allowance for expansion should be made. These expansion gaps should later be sealed with

silicone. Do not cut square corners in your panel. Drill holes on the inside of each corner you have marked and cut along your outlined area up to each drill hole. Lightly sand the inside edges of your cut-out area to remove any burrs. Make sure you apply silicone to seal any penetrations.

Installation on timber framing and existing wall linings

WallART can be installed direct to timber framing and on existing wall linings such as plasterboard and cement sheets.

Plasterboard sheet substrate can only be used in low humidity applications. In wet areas such as a bathroom, a sheet product like cement board or wet area rated plasterboard is required onto which WallART can be fixed.

If another wall lining is already in place such as standard plasterboard in a wet area, the wall needs to be waterproofed with an impermeable coating before WallART can be installed.

Installation requires the following:

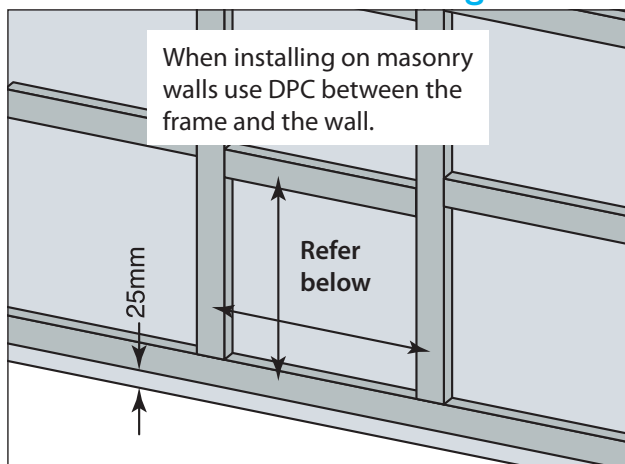
- All framing or existing sheet surfaces must be clean and free of grease, oil, dust and paint.
- All walls and surfaces must be completely dry (moisture content max 18%)
- Walls and existing surfaces must be flat, square and properly fixed.
- Use of joining profiles in wet area applications.
- Rub the back of each panel with coarse sandpaper in the areas that will contact the adhesive.
- Use a 5mm bead of adhesive (may vary with adhesive recommendations) around the edge of the sheet.
- Use a zig zag pattern of 5mm bead of adhesive making sure that the bead is within 15 - 20mm of the sheet edge and with a maximum separation at any point between the beads of 400mm.
- Press the sheet against the wall. Taking care not to scratch the surface, use a wood block wrapped in a soft cloth to work across the surface of each panel, tapping the block gently with a hammer to ensure the adhesive contacts the wall, particularly around the edges. Periodically using a spirit level at least 800mm long to ensure the sheets are flat and level.
- Ensure you follow the adhesive manufacturer's instructions regarding application method, time required before releasing the pressure, and total curing time.

Installation on masonry walls

- Masonry walls must be clean and dry.
- If moisture issues are present then an appropriate membrane must be installed.
- WallART must be installed over timber strapping/battens on a damp proof course (Refer image 1 next page)
- Do not install WallART directly to masonry walls.

WallART Installation

Installation on timber framing



1

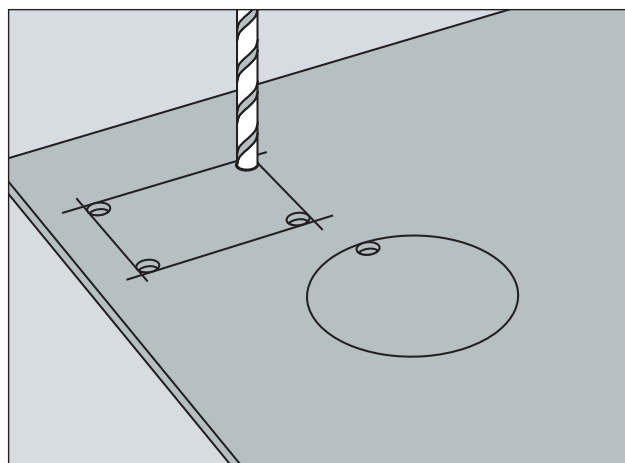
WallART can be installed to a framework of treated battens/ timber framing with a maximum spacing between vertical supports of:

400mm for 1200mm wide sheets

450mm for 900mm wide sheets.

Ensure the lowest point of the support frame is at least 25mm above the floor or shower base. Where two panels are joined together, place a treated timber batten behind the join and ensure the timber framework provides a flat surface.

The timber framework must be flat and square.

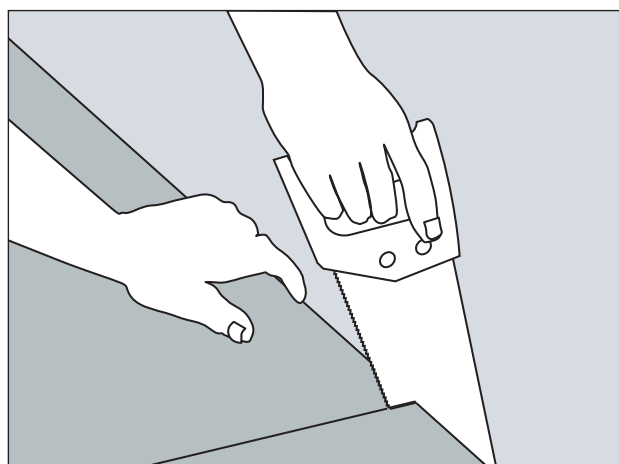


3

When cutting holes for taps, shower fitting and pipes measure and mark the outline of the area on the face of the panel, then drill and cut with the face up.

Allow 2mm for expansion. These expansion gaps should later be sealed with silicone.

Do not cut square corners in your panel. Drill holes on the inside of each corner you have marked and cut along your outlined area up to each drill hole. Lightly sand the inside edges of your cutout area to remove any burrs.

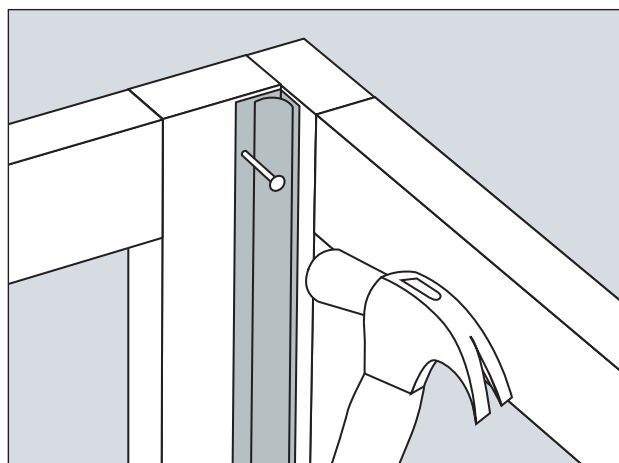


2

When cutting straight lines use a fine tooth handsaw and always cut with the panel face up. If using a fine tipped tungsten machine saw ensure the panel is face down. Sand or hand plane cut edges to achieve a smooth finish.

Use a fine toothed hacksaw to cut your colourmatched joiners to size.

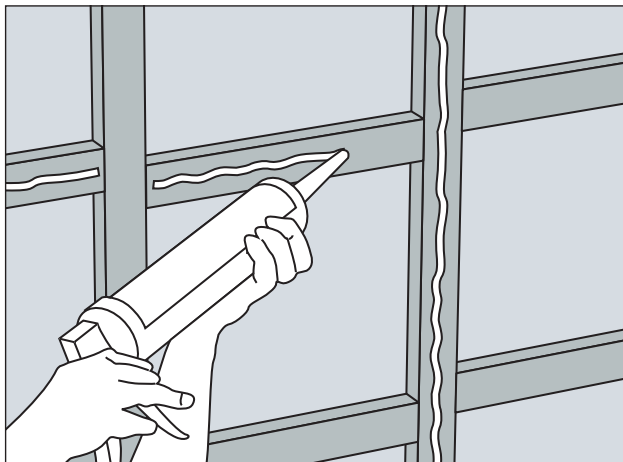
Important: Some sheets have a protective film on both sides. This must be removed before installation



4

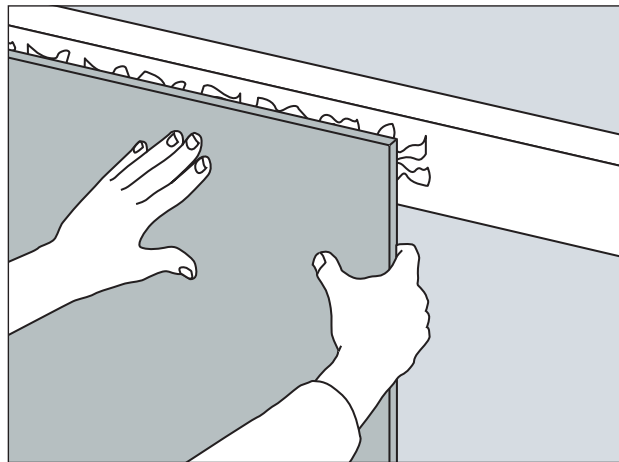
Begin in one corner by nailing or stapling an internal corner joiner to the treated timber frame. Fix at 300mm centres.

WallART Installation



5

Apply a 5mm bead of adhesive (may vary with adhesive recommendations) to the face of each timber batten that the first panel will be applied to.

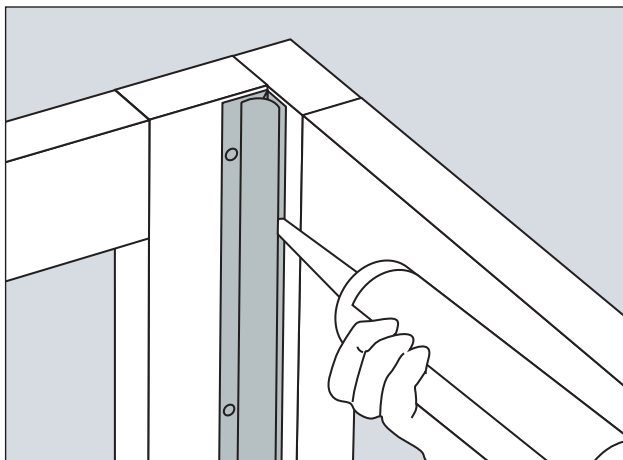


6

Rub the back of each panel with coarse sandpaper in the areas that will contact the adhesive. Work with one sheet at a time, applying adhesive and installing. Position the panel carefully and press firmly to make contact with adhesive. Remove the panel until the adhesive becomes touch dry (approximately 5 to 10 minutes) and follow the adhesive manufacturer's instructions.

Top of panel clearance : 5mm
Bottom of panel clearance to floor: 6mm

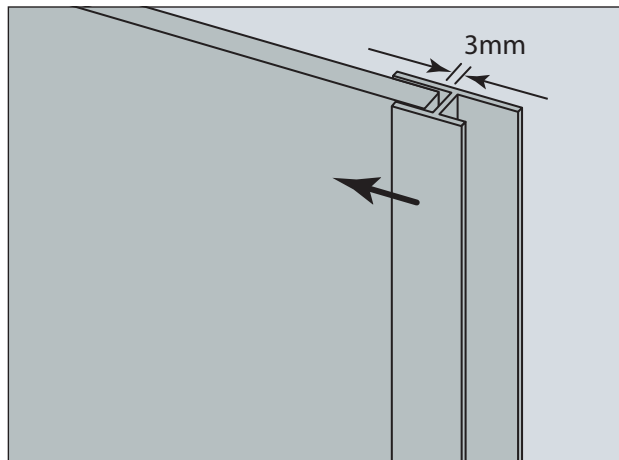
Note: Protective film must be removed prior to installing sheet



7

Place a bead of silicone sealant along the inside of each jointer to create a 3mm expansion gap.

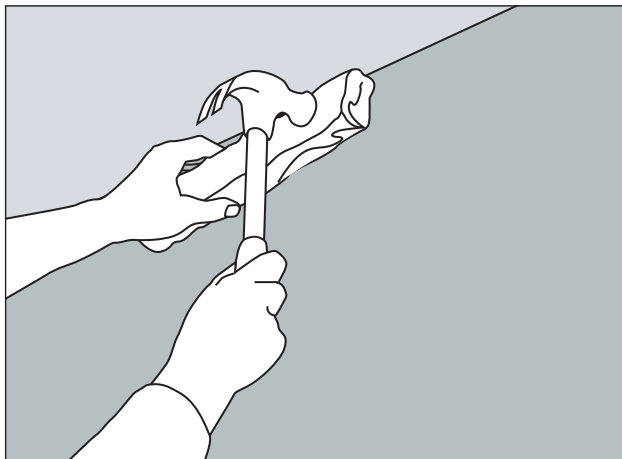
Do not overfill the jointer with silicone.



8

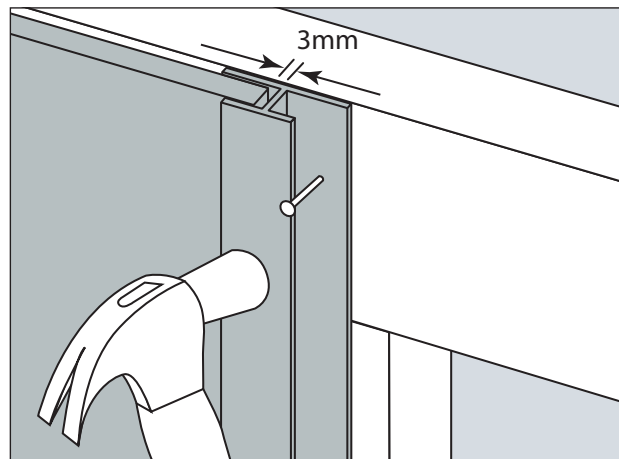
Press the panel against the sealant, slide into the jointer and position the panel carefully. Fix the next jointer to the free edge of the panel and press the sheet into its final position.

WallART Installation



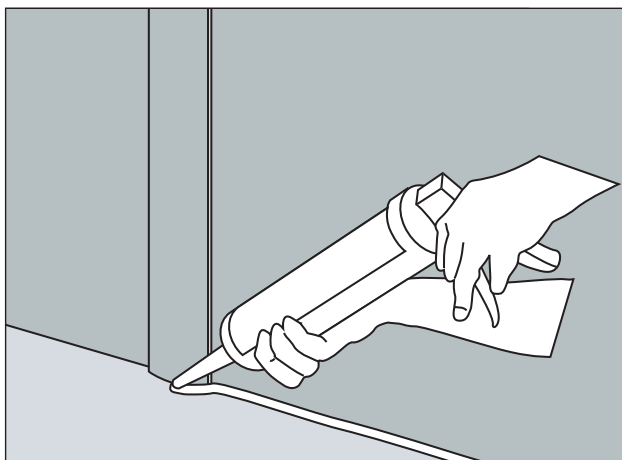
9

Press the sheet against the wall. Taking care not to scratch the surface, use a wood block wrapped in a soft cloth to work across the surface of each panel, tapping the block gently with a hammer to ensure the adhesive contacts the panel on all battens, particularly around the edges. Periodically using a spirit level at least 800mm long to ensure the sheets are flat and level. Ensure you follow the adhesive manufacturer's instructions regarding application method, time required before releasing the pressure, and total curing time.



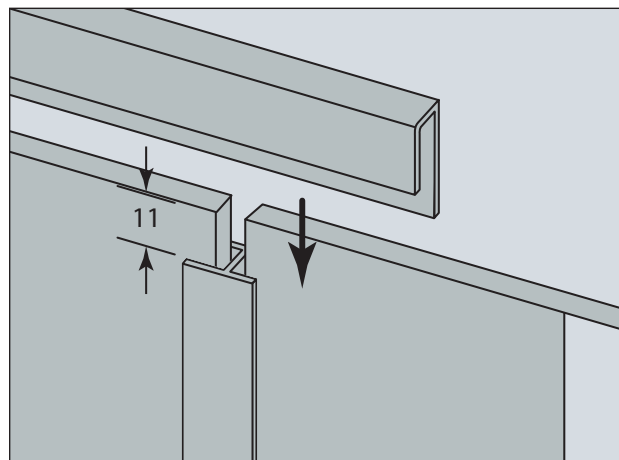
10

Allow for the expansion gap using silicone on each side of the next joiner and nail or staple the joiner to the frame.



11

Continue this process to fix panels around each wall and seal gaps at the base of each panel using silicone sealant. All sealants must be tooled into place to positively force the sealant into the joint.

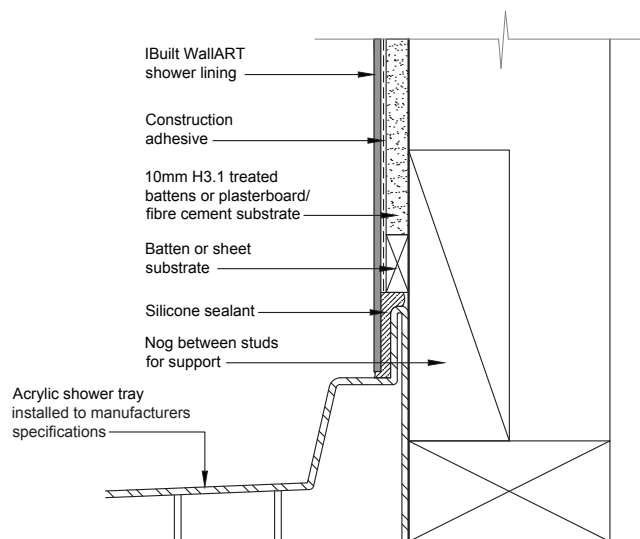


12

Upper and lower edges may also be finished using end caps. Should this joiner be used, ensure all lengths of vertical sheet joiner finish 11mm short of edges. A bath mould is recommended for the lower edge of panels butting against a bath rim.

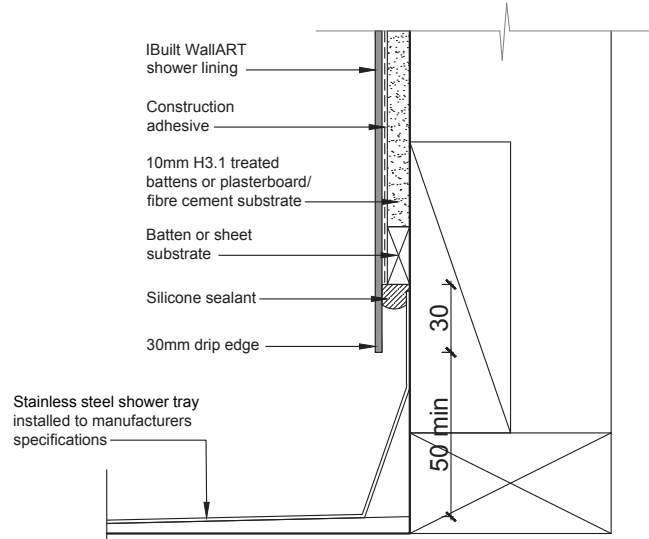
Installation Details

Acrylic shower tray



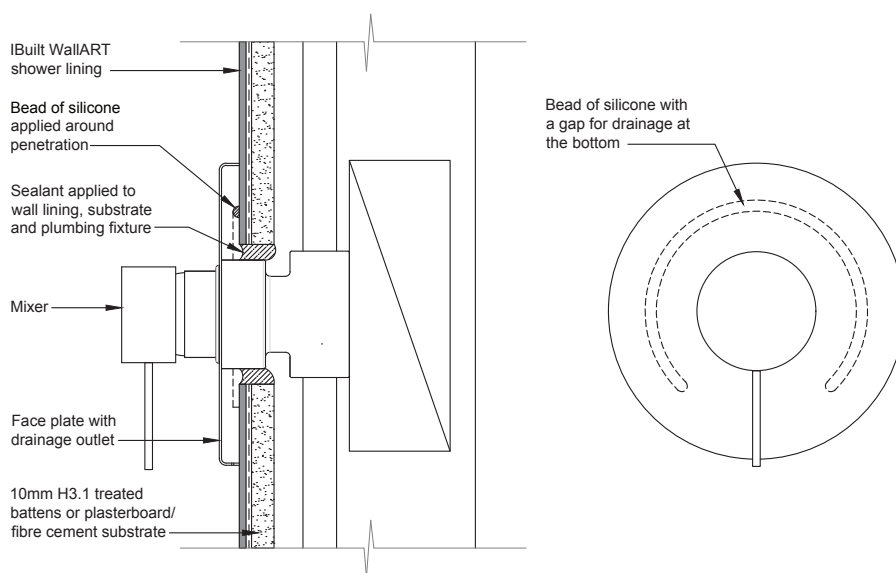
- For acrylic baths the same installation practices can be applied.
- Do not use end cap/joiners to base of WallART sheet when there is water run off.

Stainless Steel shower tray



- For covered vinyl floor the same installation practices can be applied.
- Do not use end cap/joiners to base of WallART sheet when there is water run off.

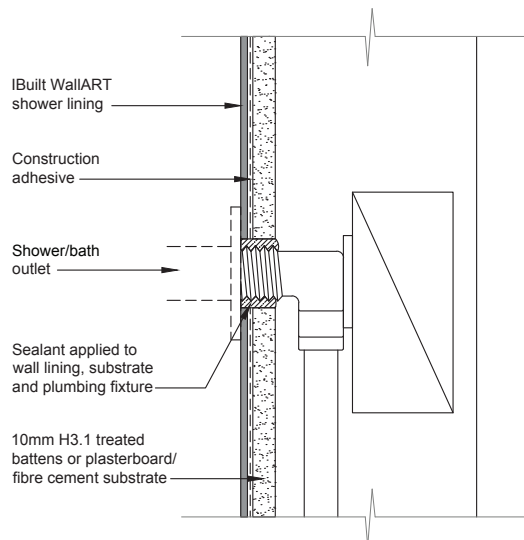
Shower/Bath Mixer



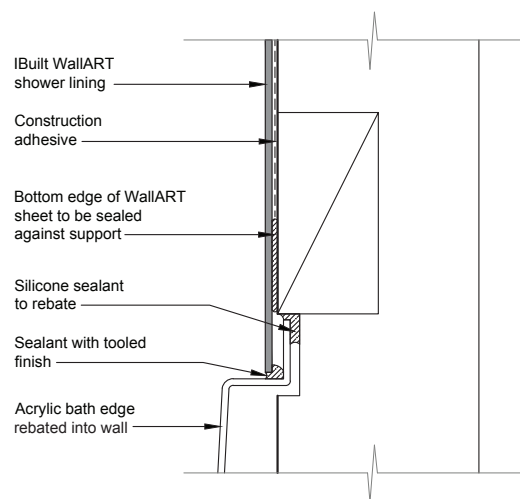
Note: Installation requirements may vary depending on the type of shower tray, bath or fixture used. In all instances compliance with the NZBC clause E3 Internal Moisture must be achieved. Refer also to the manufacturer's information.

Installation Details

Shower outlet



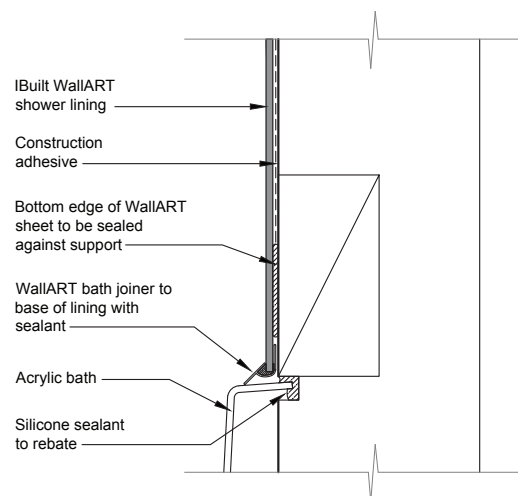
Acrylic bath



Acrylic bath with joiner

- Bath joiner profiles are not permitted for shower over bath applications.
- Can also be installed over wet area rated wall lining or battens.

Note: Installation requirements may vary depending on the type of shower tray used. In all instances compliance with the NZBC clause E3 Internal Moisture must be achieved. Refer also to the manufacturers information.





Note: Installation requirements may vary depending on the type of shower tray, bath or fixture used. In all instances compliance with the NZBC clause E3 Internal Moisture must be achieved. Refer also to the manufacturers information.


WallART Dusk Grey

NZWOOD
NEW ZEALAND WOOD PRODUCTS LIMITED


 149 Kerrs Rd, Wiri, Auckland

 PO Box 76412, Manukau,
Auckland 2241, New Zealand

 Tech Info Line: 0800-022-352

 Phone: +64-9-268 6540

 sales@ibuilt.co.nz
techinfo@ibuilt.co.nz

 www.ibuilt.co.nz