

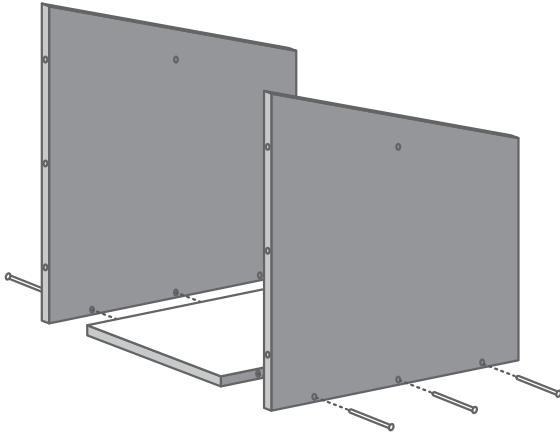


BUILD YOUR OWN BIRD HOUSE

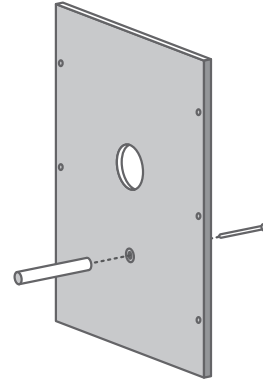
CAUTION: Kit contains components with functional sharp points. Adult supervision required. Please dispose of any components if they become damaged after assembly. Use safety goggles at all times. Small parts: not suitable for children under three years.



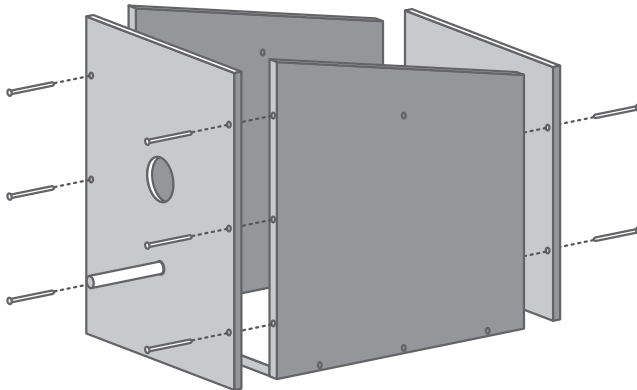
Do not let children put their hand/arm into the hole to avoid getting trapped or injured.



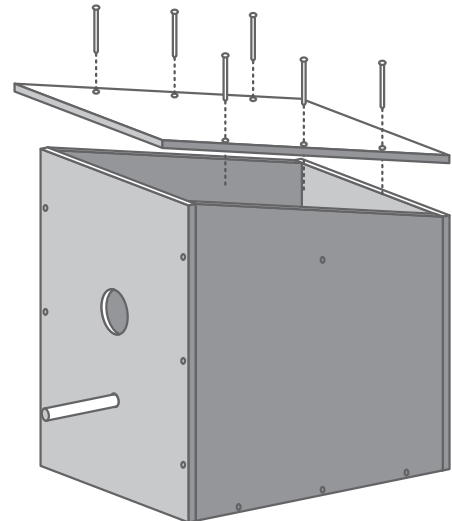
1. Assemble the base and two side panels with nails.



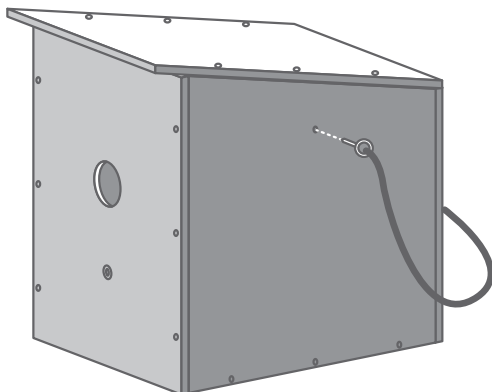
2. Assemble the pole with a nail onto the front panel.



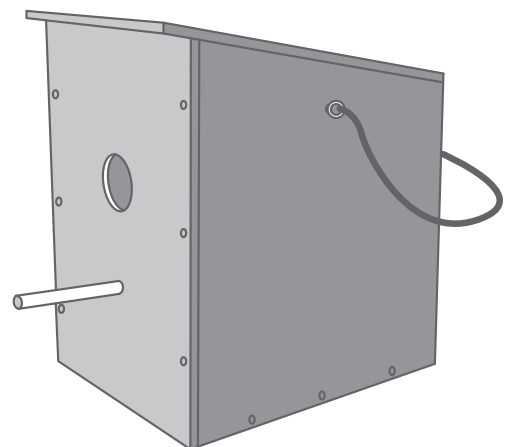
3. Assemble the front panel and back panel with nails.



4. Assemble the top panel with nails.



5. Install the screw eyes on two side panels.



FINAL: To decorate, place stickers provided on relevant areas of the completed bird house.