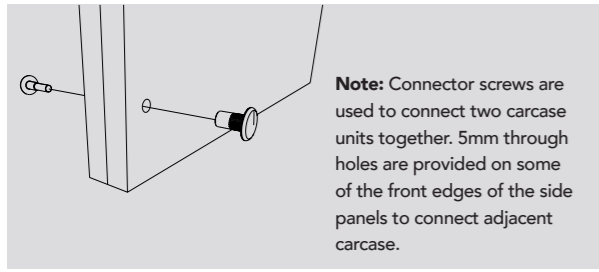


# BASE CABINET CORNER UNIT

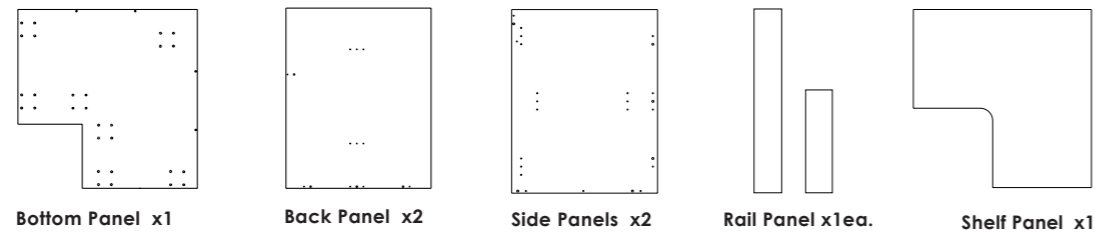
## Assembly Instructions

Suitable for Base Cabinet  
BC900-IMP, BC800/1000-IMP  
BC1000/800-IMP Art. 732.25.813

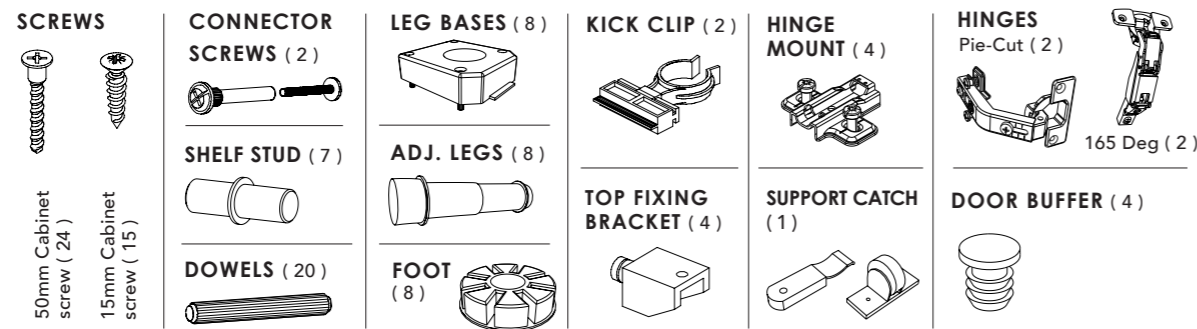


**Handy Note:** Please read the instructions carefully before you start and make sure to identify the parts you need for each step. When assembling it is best to do on a soft surface to prevent damage.

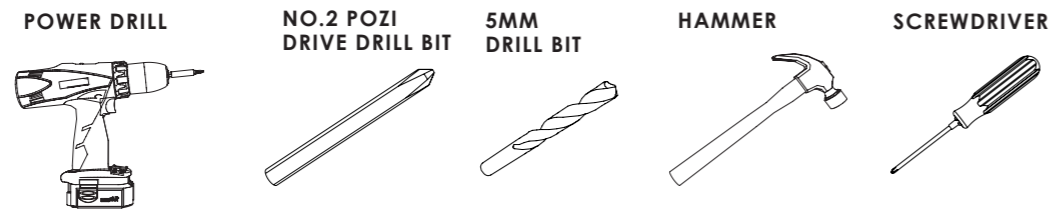
### Cabinet Panels included.



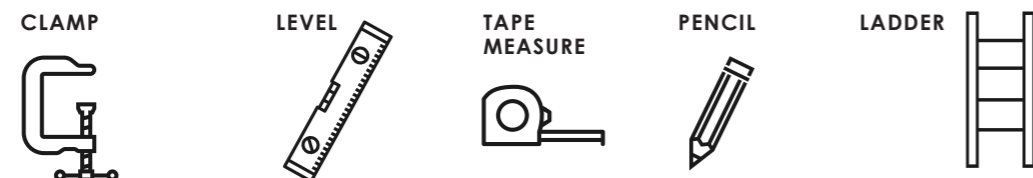
### H'AFELE Hardware included.



### Required Tools.

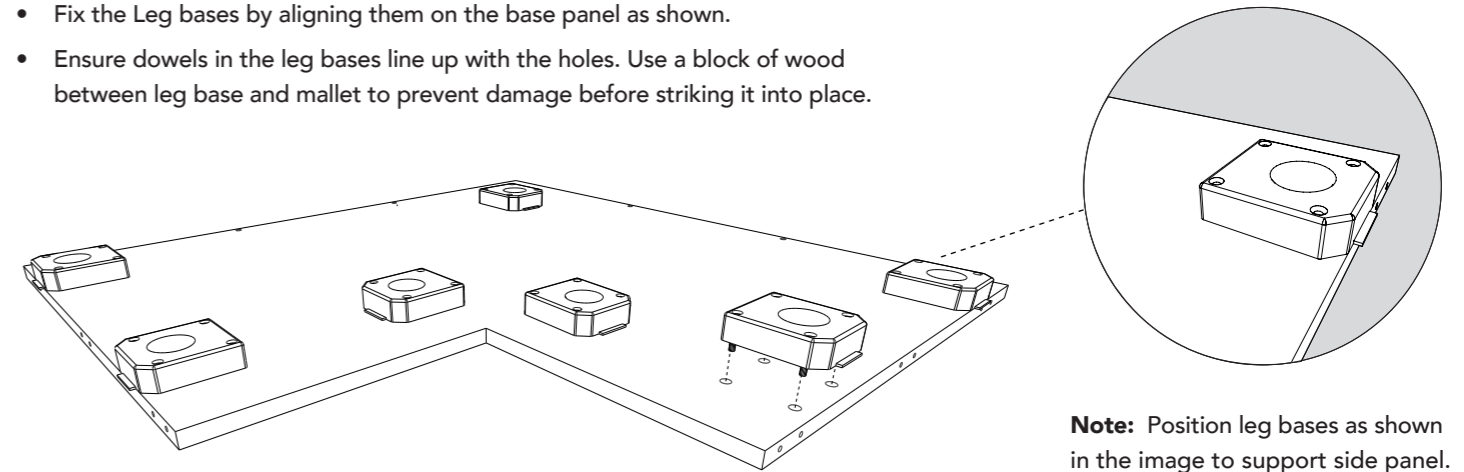


### Handy Tools.



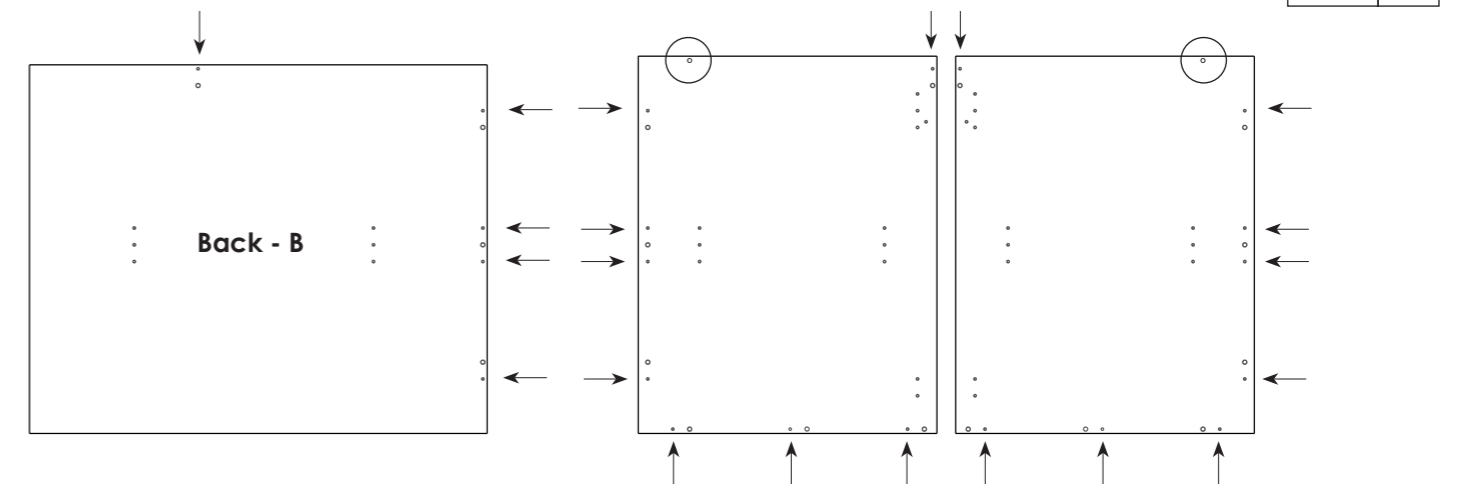
## 1. Installing Leg Bases.

- Fix the Leg bases by aligning them on the base panel as shown.
- Ensure dowels in the leg bases line up with the holes. Use a block of wood between leg base and mallet to prevent damage before striking it into place.



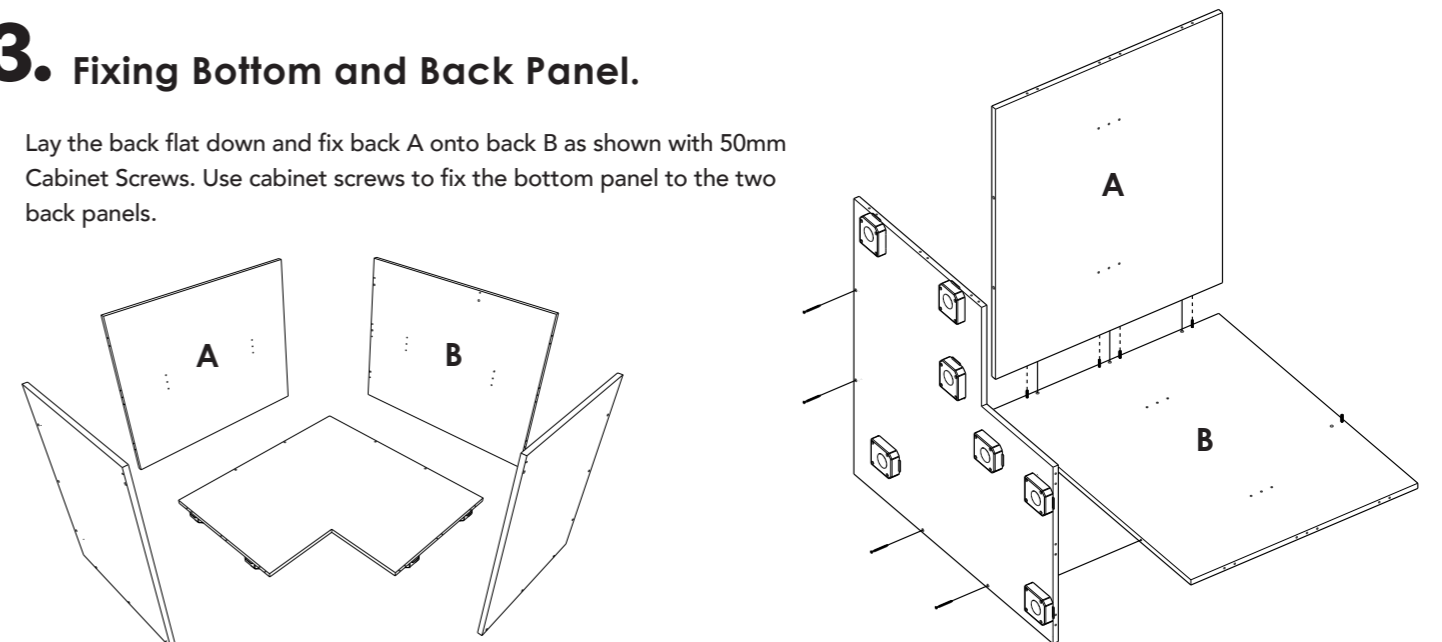
## 2. Inserting Dowels into Side Panels

- While laying the panels flat, insert the dowels into the correct holes marked with arrows in the image below.
- The holes for benchtop fixing brackets are also marked on the end panels.



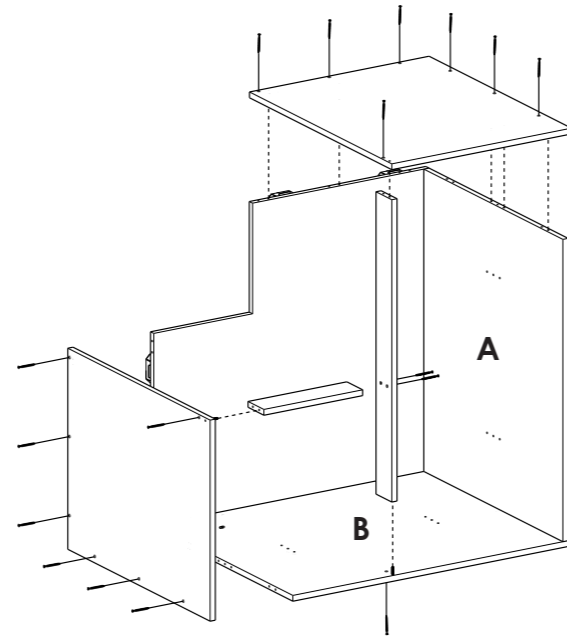
## 3. Fixing Bottom and Back Panel.

- Lay the back flat down and fix back A onto back B as shown with 50mm Cabinet Screws. Use cabinet screws to fix the bottom panel to the two back panels.



## 4. Fixing The Side and Rail Panels.

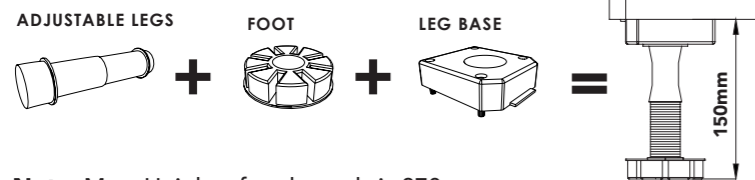
- Lay the back flat down and fix back panel A onto back panel B as shown with 50mm Cabinet Screws. Use cabinet screws to fix the bottom panel to the two back panels.
- Align the other end panel onto the dowels of Back-B and screw fix them with 50mm Cabinet Screws.
- Align the small rail onto left end panel dowel and screw fix it with 50mm cabinet screws to the large rail and end panel. Use the 50mm Cabinet Screws to finish fixing the large rail to back panel B.



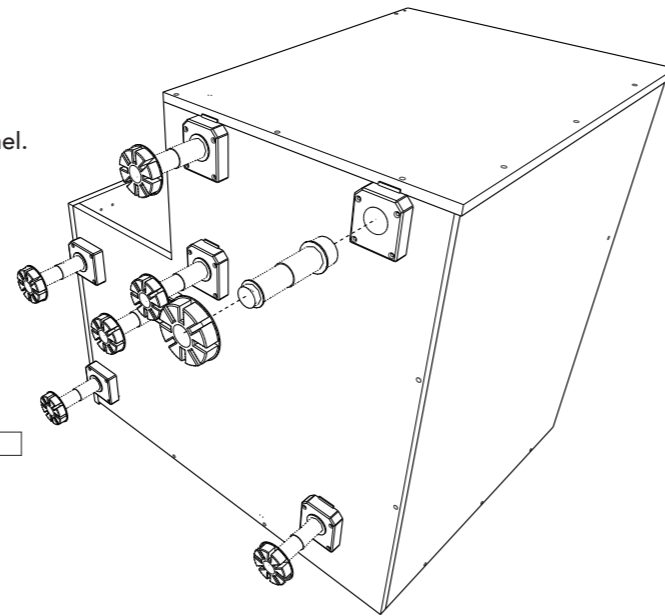
## 5. Fixing Leg and Foot to Leg Base.

- **Cabinet Feet:** Align the small rail onto left end panel dowel and screw fix it with 50mm cabinet screws to the large rail and end panel.

- Height of the Adj Legs =  $\pm 150\text{mm}$
- Height of the Cabinet = 720mm
- Height of Cabinet + Adj Legs = 870mm

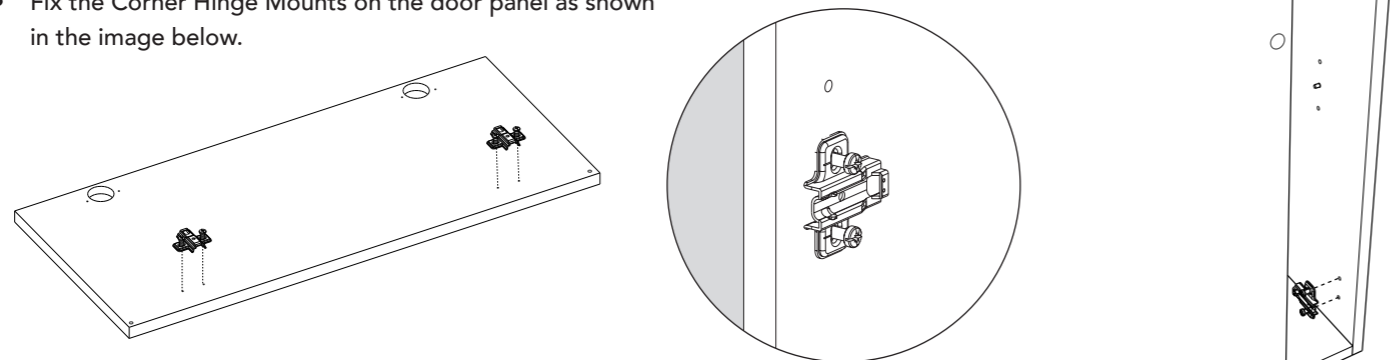


**Note:** Max. Height of end panels is 870mm.



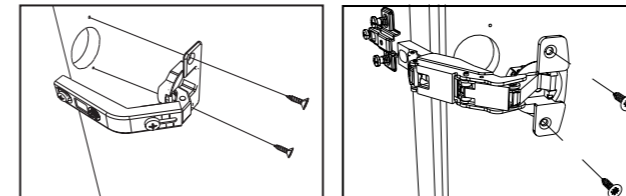
## 6. Fixing the Hinge Mounts.

- You can fix Hinge Mounts on the left / right side on the carcass to match your preference
- Fix the Corner Hinge Mounts on the door panel as shown in the image below.



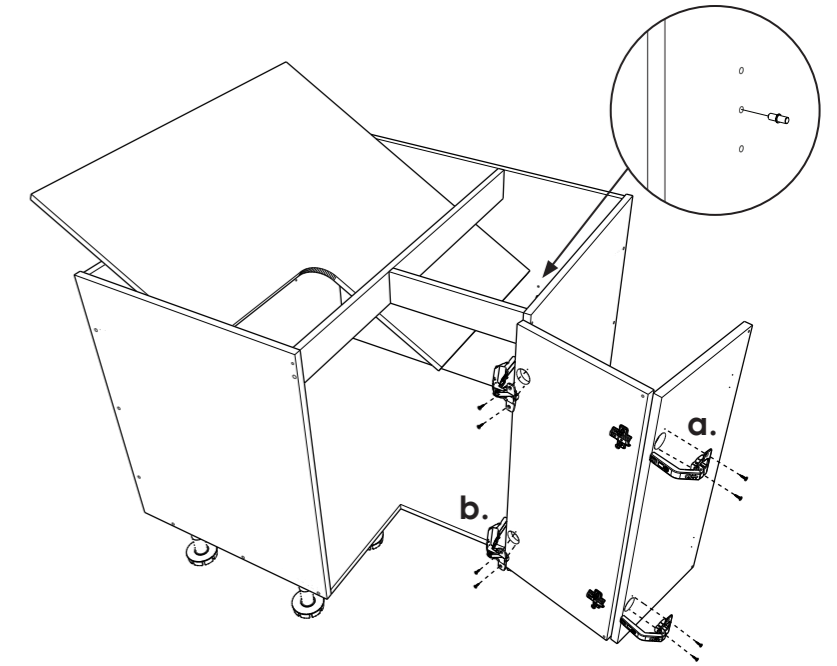
## 7. Hinge and Shelf Installation.

- Fix the hinges using 15mm Screws as shown.
- Clip doors onto the unit. See hinge installation for further details.
- Insert the supplied shelf studs into the corresponding holes on the side panel to achieve the desired height. Shelves simply sit on the shelf studs.



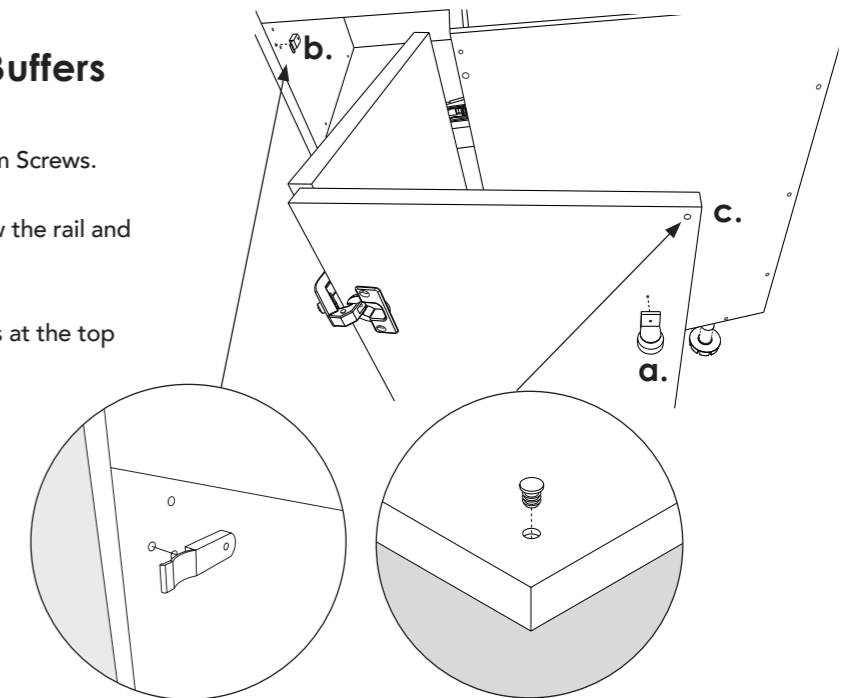
a. Pie-Cut Hinge

b. 165 Hinge



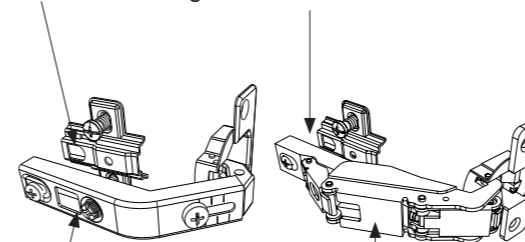
## 8. Fixing Wheel Supports and Buffers

- a. Fix the wheel support onto the door using 2x 15mm Screws.
- b. Align the Wheel Support Catch onto the hole below the rail and fix with the end panel using 2x 15mm Screws.
- c. Fix the door buffers by inserting into the 5mm holes at the top and bottom corners of the door.

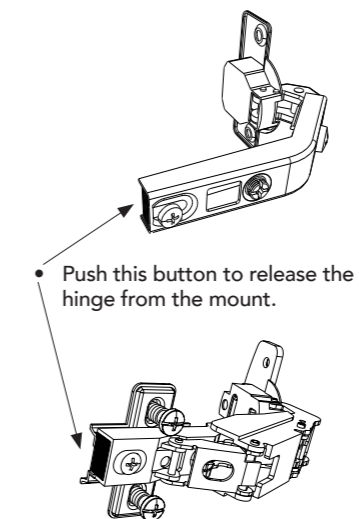


## 9. Hinge Installation.

- Hook the hinge into the front of the mount.

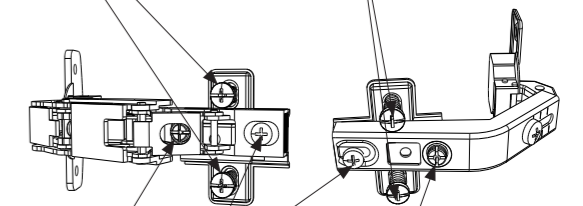


- Push the back down onto the hinge mount until you hear a click.



- Use these 2 screws to adjust door up / down.

- Use these 2 screws to adjust door up / down.



- Use these screws to adjust door in/out.

- Use this screw to adjust door right / left.

- Use this screw to adjust door right / left.