

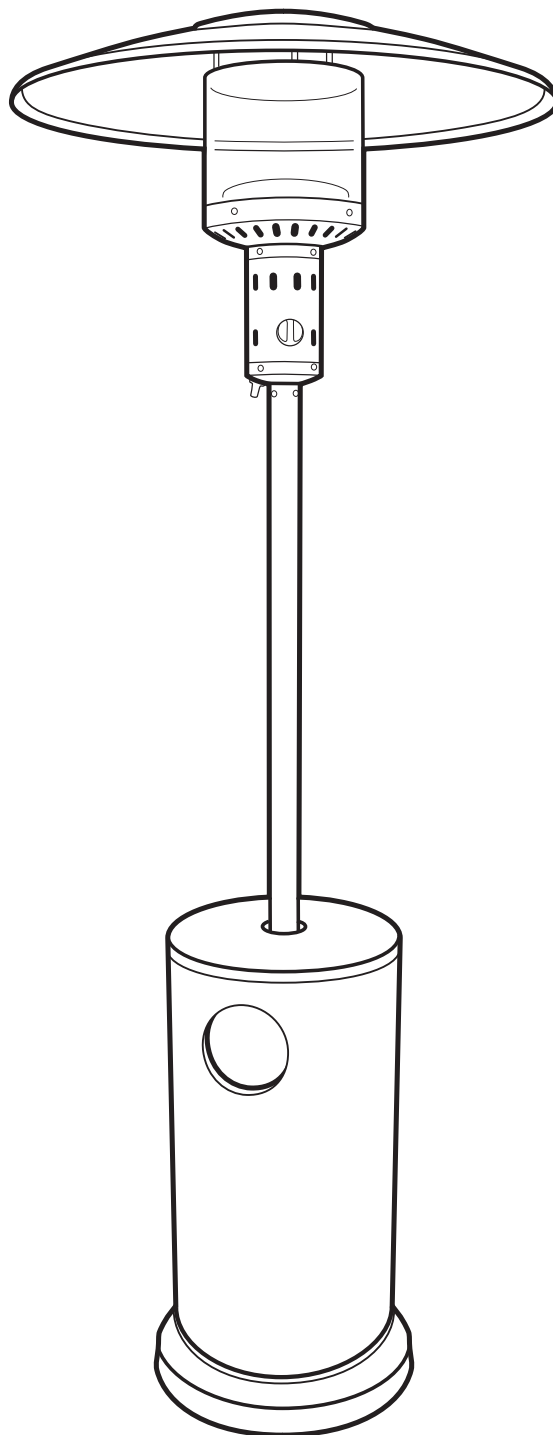


## Patio Heater

Model No. GM124-003 and GM124-004

### FEATURES:

- The ideal solution for extending the season for outdoor entertaining
- Maximum output 39.6 MJ/hr
- Direct ignition
- Adjustable heat output
- Safety 'tip-over' switch and flame safe-guard system
- Wheels for effortless moving
- Operates for approximately 11 hours on high using a properly filled 9kg LPG cylinder
- Complete with hose and regulator
- Height: 2.2m
- Tested to NZ Standards



### FOR YOUR SAFETY

If you smell gas:

1. Shut off the gas to the appliance.
2. Extinguish any open flame.
3. If odour continues, immediately call your gas supplier.

Do not store or use gasoline or other flammable vapour and liquids in the vicinity of this or any other appliance.

### WARNING:

Improper installation, adjustment, alteration, service or maintenance can cause injury or property damage.

Read the instructions thoroughly before installing or servicing this equipment.

### FOR OUTDOOR USE ONLY

### OPERATES ON LPG/ULPG

**Retain these instructions for future use.**

---

**Important:** The installer or seller must leave these instructions with the consumer.

---

# Installation, Operation and Maintenance Instructions

## INSTALLATION

### Important Safety Rules:

This appliance must only be used in a well ventilated area.

1. This appliance shall not be installed or used indoors, in buildings, garages or any other enclosed area.
2. **DO NOT** place articles on or against this appliance.
3. **DO NOT** use or store flammable materials near this appliance.
4. Children and adults should be alerted to the hazards of high surface temperatures, burns and clothing ignition.
5. Children should be carefully supervised when they are in the area of the appliance.
6. **NEVER** hang anything including clothes or other flammable items on the appliance.
7. **DO NOT** operate this appliance unless it is fully assembled with reflector in place.
8. **DO NOT SPRAY AEROSOLS IN THE VICINITY OF THIS APPLIANCE WHILE IT IS IN OPERATION.**
9. Installation and repair should be done by a qualified service person. The appliance must be inspected before use and at least annually by a qualified service person. More frequent cleaning may be required as necessary. It is imperative that control compartment, burners and circulating air passages of the appliance and light be kept clean.

Prior to assembling your appliance, the following must be reviewed. Compliance with the following should result in satisfactory appliance operation. This instruction manual should be retained for future reference. The installation must conform with local codes or authority having jurisdiction.

1. The appliance is intended for residential and nonresidential outdoor spaces. The installation must conform with New Zealand Standard 5601 "Gas Installations".
2. Adequate clearance around air openings into the combustion chamber, clearances from combustible materials, provisions for accessibility and for combustion and ventilating air supply must be maintained at all times when the appliance is operating.
3. Proper clearance from combustible materials must be maintained at all times. The minimum clearances are as follows:

### Minimum Clearance from Combustibles:

<b>Sides</b> 500 mm	<b>Below</b> 1870 mm
<b>Ceiling</b> 500 mm	<b>Rear</b> 500 mm

Combustible materials are considered to be wood, compressed paper, plant fibres, plastic, plexiglas or other materials capable of being ignited and burned. Such materials shall be considered combustible even though flame proofed, fire-retardant treated or plastered. Additional clearance may be required for glass, painted surfaces and other materials which may be damaged by radiant or convection heat.

4. The appliance must be placed on a level and adequate footing and be readily accessible.
5. The gas manifold supply pressure must be regulated at 2.75 kPa utilising an approved regulator (supplied with appliance).
6. The appliance must be inspected before each use, and at least annually by a qualified service person.
  - a. The appliance area must be kept clear and free of combustible materials, gasoline and other flammable vapours and liquids.
  - b. Gas orifices and burner must be kept clear of dirt and cobwebs. Flow of combustion and ventilation air through the perforated portions of the appliance must not be obstructed. Cleaning with a soft brush before use and at least every six months is recommended.
  - c. All gas connections should be checked for leaks utilising a soap solution. Never use a flame for this purpose.
  - d. The flame pattern at the emitter grid should be visually checked whenever the appliance is operated. If flames extend beyond surface of the emitter grid or black soot is accumulating on the emitter grid or reflector, the appliance should be turned off immediately. The appliance should not be operated again until the unit is serviced and or repaired.
  - e. Any cleaning agent used on the appliance should be of a non-combustible and non-corrosive nature. Warm soapy water is ideal. While washing the appliance, be sure to keep the area around the burner and pilot assembly dry at all times. If the gas control is exposed to water in any way, do NOT try to use it. The appliance should be regularly cleaned and protected to reduce oxidation, ideally a cover should be used when not in use.
  - f. The emitter grid normally does not require cleaning and should **NEVER** be painted. The reflector may be cleaned, but never painted.

7. The hose assembly should be properly located out of pathways where people may trip over it. The hose must be protected from contact with hot or sharp surfaces both during use and while in storage. The hose assembly should be visually inspected prior to each use of the appliance. If excessive abrasion or wear is evident, or the hose is cut, it must be replaced prior to operating the appliance. The replacement hose assembly may be obtained from the distributor.
8. **DO NOT** use any pressure regulator or hose assembly other than those supplied with the appliance. Replacement pressure regulator and hose assembly must be those specified. Replacement parts may be obtained from the distributor.
9. Installation and use of this appliance must conform with New Zealand Standard 5601 "Gas Installations".
10. This appliance is designed to operate with a standard 9Kg LPG cylinder with Approved Cylinder Connection.
11. The valve outlet must be maintained in good condition. When the cylinder is not in use, be sure to cover it with a dust cap. A leak test should be performed with soapy water whenever connecting a new cylinder. **NEVER** use a match to test for leaks.
12. The LPG cylinder must be turned off whenever the appliance is not in use. When the appliance is to be stored indoors, the LPG cylinder and the appliance must be disconnected and the cylinder stored in accordance with LPG Dangerous Goods Regulations.
13. Store the appliance upright in an area sheltered away from weather conditions. The use of a cover is recommended.
14. The appliance has been designed with several safety features which include a tip over switch and a flame safeguard system which means if the pilot goes out the unit will automatically turn off.

### REGULATOR SAFETY FEATURE

All QCC regulators (the part that attaches to the gas cylinder to regulate the flow of gas) have a safety feature included that restricts gas flow in the event of a gas leak. You can inadvertently activate this safety feature without having a gas leak. This typically occurs when you turn on the gas using the appliance control knob before you turn on the gas cylinder valve. If the gas regulator safety feature activates, the appliance will operate with reduced output as gas flow is restricted.

These steps should be taken first to reset the gas regulator safety device:

1. Turn gas cylinder valve off.
2. Turn appliance off.
3. Disconnect the regulator from the gas cylinder.
4. Wait 30 seconds.
5. Reconnect the regulator to the gas cylinder.

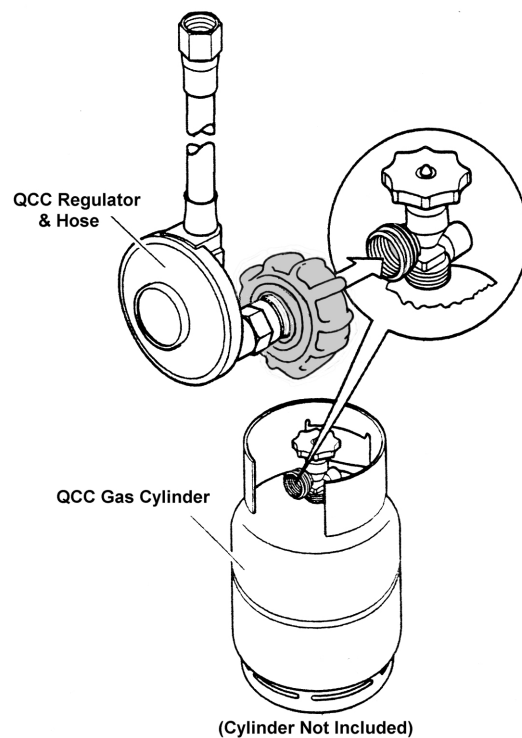
6. Leak test the connection using a soapy water solution. Ensure no bubbles appear before proceeding.
7. Slowly open the gas cylinder valve all the way. Do not put excessive force on the valve at the full open position, to avoid damaging the valve.
8. Light the appliance as per the instructions provided.

Any modification to the appliance not described in the installation instructions may compromise the safety of this appliance. Special concern is as follows:

- (1) **DO NOT** bypass thermocouple safety burner;
- (2) **DO NOT** operate appliance without the guards;

Clothing or other flammable materials should not be hung from the appliance, or placed on or near the appliance. The area above the burner may be extremely hot. Direct contact with these metal surfaces should be avoided in order to prevent burns or clothing ignition.

### Q.C.C. CYLINDER CONNECTION DEVICE



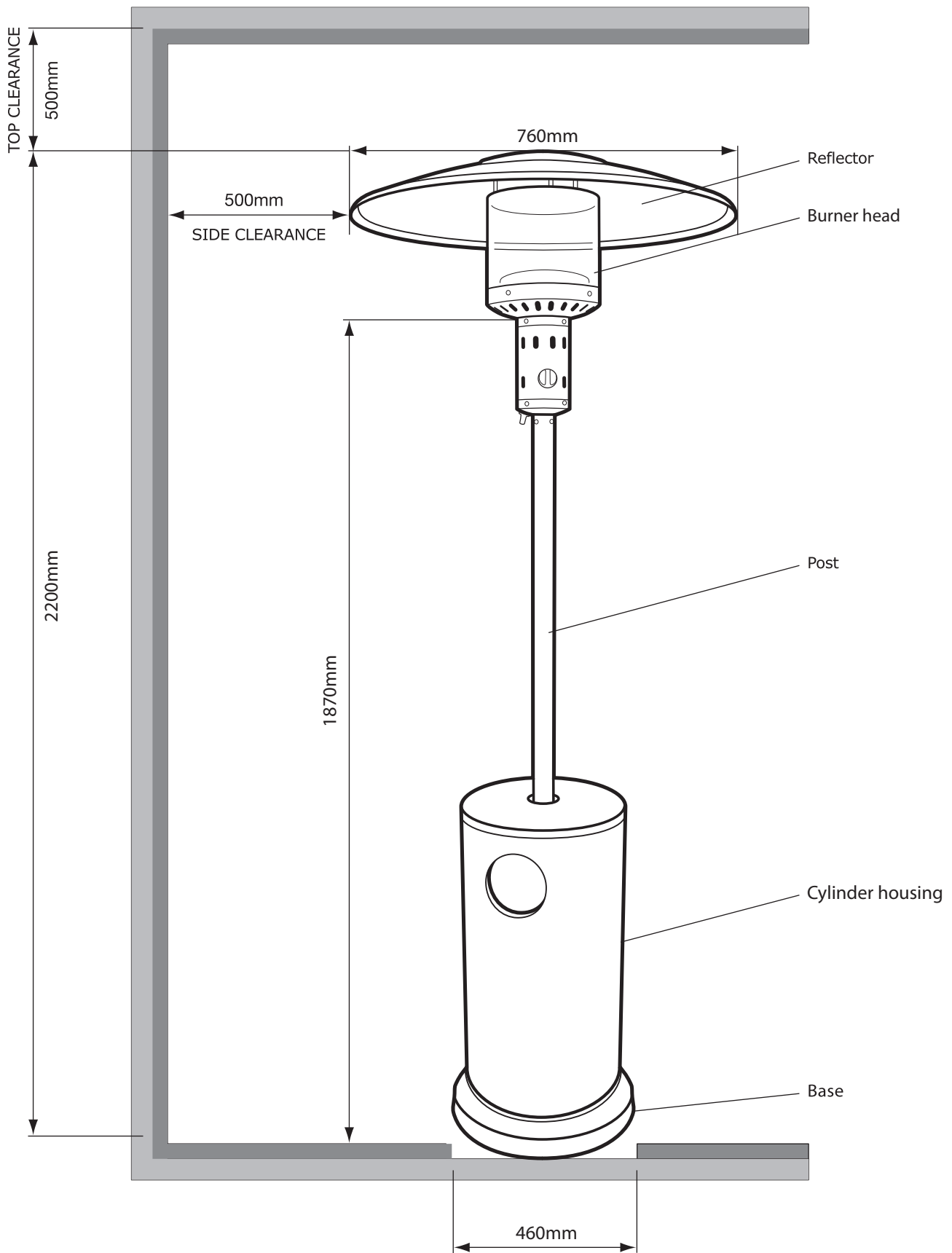
Screw the coupling nut of regulator into the cylinder valve outlet.

<b>Type of Gas</b>	<b>LPG/ULPG</b>
<b>Consumption</b>	<b>39.6 MJ/h</b>
<b>Operating Pressure</b>	<b>2.75 kPa</b>
<b>Injector Size</b>	<b>1.7 mm</b>

Appliance specifications can be found on the data label.

# PATIO HEATER - For Outdoor Use Only

## Minimum Clearance from Combustible Surfaces\*:



\*Combustible materials are considered to be wood, compressed paper, plant fibres, plastic or other materials that are capable of being ignited and burned.

# GENERAL ASSEMBLY

## Connecting & Disconnecting to Gas Source



**IMPORTANT:** Before connecting and disconnecting appliance to gas source, make sure control knob is in 'OFF' position.

**CAUTION:** When the appliance is not in use, the gas must be turned off at the cylinder.

Familiarise yourself with the general information and safety guidelines located at the front of this manual.

### Check:

1. The cylinder is filled. A sloshing sound will be heard when shaken.
2. The control knob is in the 'OFF' position.

### Connecting

1. Ensure cylinder valve is in its full off position.
2. Check for any damage to either the cylinder connection or the hose. NEVER attempt to use damaged equipment.
3. When connecting the hose to the cylinder tighten the nut to a positive stop by hand.
4. Open cylinder valve fully. If a leak can be heard at either end of the hose turn cylinder off and tighten joint. Wait 5 minutes before re-testing and use a soapy water solution to check the joint. If bubbles appear the connection will need to be re-tightened. Refer to page 7 for more detailed instructions on connecting the appliance to the cylinder.

### Disconnecting

1. Ensure the burner control is in the 'OFF' position.
2. Ensure cylinder valve is in the full off position.

For storage and cylinder exchange, disconnect hose at the cylinder only, DO NOT disconnect hose from appliance.

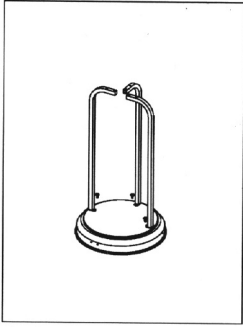
# ASSEMBLY INSTRUCTIONS

**Tools Required** - Adjustable spanner

**Note:** Remove any transit protection material

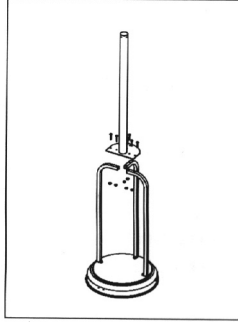
## Step 1

- 1-1. Put the 3 post brackets on each position on the base as shown in the picture.
- 1-2. Use 3 M8 x 16mm bolts to join the post brackets and base.



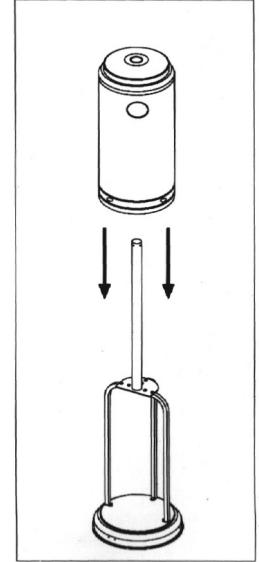
## Step 2

- 2-1. Put the post on the top of 3 post brackets.
- 2-2. Use 6 M6 x35mm bolts and nuts to connect the post to the post brackets. Tighten the bolts and nuts.
- 2-3. Fill the plastic container in the base with sand.



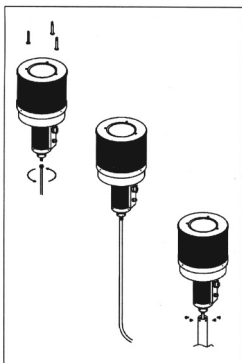
## Step 3

- Place the cylinder housing on the stand.



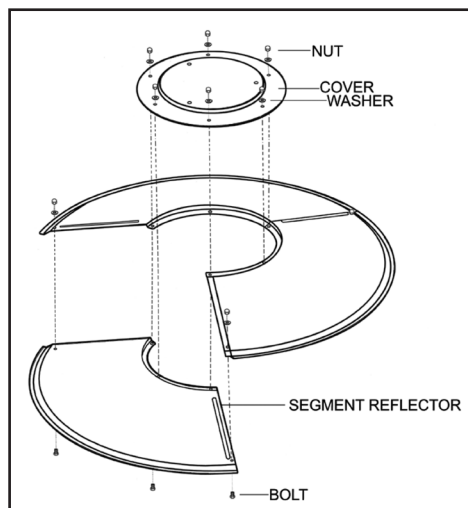
## Step 4

- 4-1. Secure the 3 90mm pins (reflector support bolts) on the cap of flame screen.
- 4-2. Route the gas hose up through the post and out of the top.
- 4-3. Connect the gas hose to the gas burner inlet connector.
- 4-4. Connect the regulator to the hose and a gas cylinder and leak test both of the connections using a soapy water solution.
- 4-5. Attach the completed burner to the post with 4 M6 x 10mm bolts.



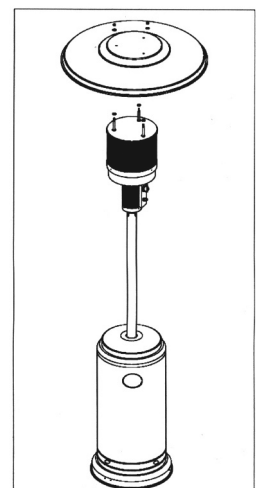
## Step 5

- 5-1. Overlap the 3 parts of reflector segments and attach with 3 screws, washers and nuts.
- 5-2. Place round part of reflector over the 3 segments and attach with 6 screws, washers and nuts.



## Step 6

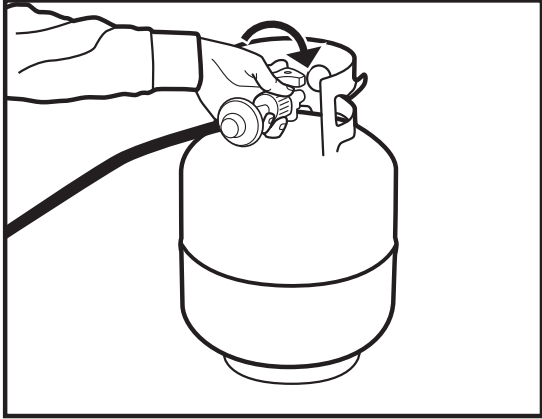
- 6-1. Place a washer on each reflector support bolt.
- 6-2. Fasten the reflector with 3 washers and 3 M8 castle nuts.



# ASSEMBLY INSTRUCTIONS

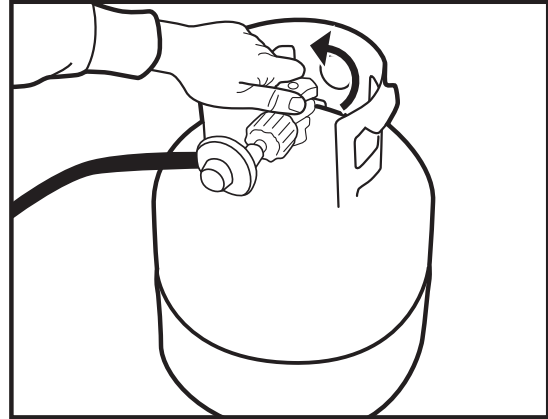
## STEP 7

Ensure cylinder valve is in its full off position. Check for any damage to either the cylinder connection or the hose. NEVER attempt to use damaged equipment. Attach the regulator and hose to your gas cylinder. Tighten the nut to a positive stop by hand.



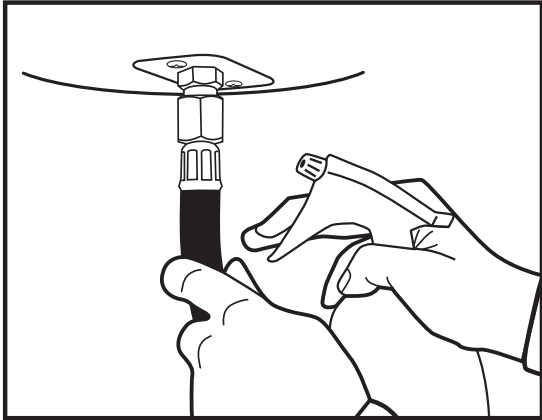
## STEP 8

Turn on the gas cylinder ensuring that the control knob on the outdoor heater is turned OFF at this point. DO NOT ATTEMPT TO LIGHT THE HEATER!!.



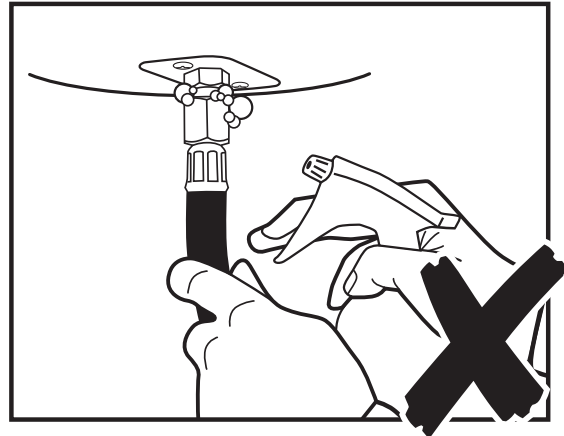
## STEP 9

Use a solution of soapy water (dishwashing liquid and water is fine). Brush it on or use a spray bottle as shown in the drawing. Ensure the connections have a good coating.



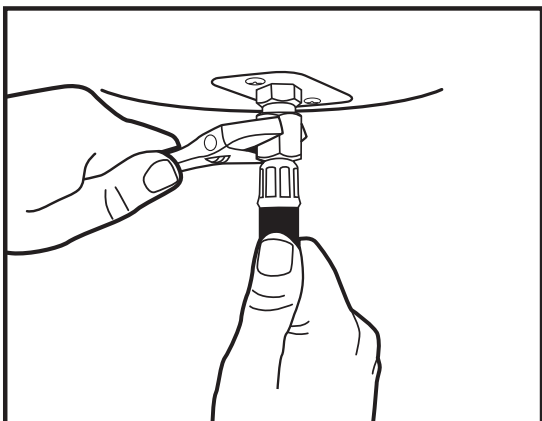
## STEP 10a

If the connection is leaking, bubbles will start to grow in the soapy solution. If this happens shut off the gas supply at the cylinder.



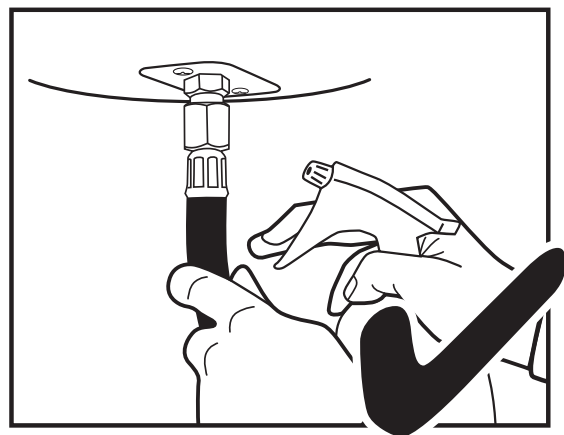
## STEP 10b

Tighten the connections using a crescent then repeat steps 8-9.



## STEP 10c

The connection is gas tight when no bubbles grow around the gas connection.



## TEST FIRING APPLIANCE

Test fire heater, following the lighting instructions on heater post. Leak test all gas connections with soapy water. Soap bubbles indicate gas leakage. **DO NOT** use a match to test for gas leaks.

**WARNING:** White smoke may appear around the radiant head during the first minute of the initial firing.

## TROUBLE SHOOTING

Problem	Possible Causes
Main burner won't light	<ul style="list-style-type: none"><li>• No gas</li><li>• Low gas pressure</li><li>• Blockage in orifice</li><li>• Manual valve not in 'LOW' or 'HIGH' position</li></ul>

**Note:** If the appliance cannot be adjusted to perform correctly it should not be used until serviced or repaired.

**Warning:** Improper installation, adjustment, alteration, service or maintenance can cause injury or property damage. Any modifications or adjustments made to product without prior authority from the manufacturer will void any warranty claims. Read the installation, operating and maintenance instructions thoroughly before installing or servicing this equipment.

## LIGHTING INSTRUCTIONS

### Step 1.

Ensure that the control knob is off. Slowly open the gas cylinder valve.

### Step 2.

Push in control knob and turn anti-clockwise to 'HIGH' whilst simultaneously pushing the ignitor button several times.

### Step 3.

Check for flame at the burner. If burner does not light immediately turn control knob to 'OFF' position and try again from the start. Allow 30 seconds between ignition attempts for gas to dissipate. Several attempts may be necessary.

**Failure to follow this lighting procedure may result in flame roll out beyond the emitter grid.**

### Step 4.

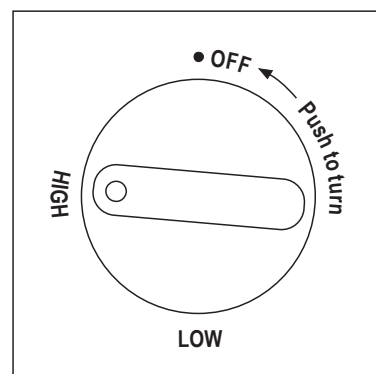
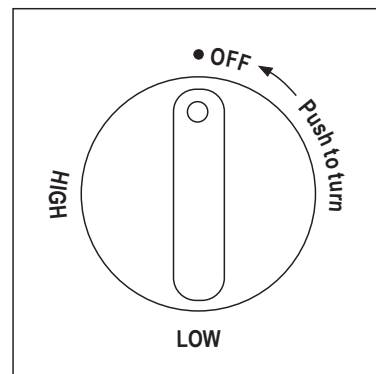
With the burner alight keep control knob depressed for 15 seconds.

### Step 5.

For minimum heat push in and turn the control knob to 'LOW'.

### Step 6.

To turn heater off, turn the control knob to 'OFF'.





## SAFE APPLIANCE LOCATIONS

This appliance shall only be used in an above ground open-air situation with natural ventilation, without stagnant areas, where gas leakage and products of combustion are rapidly dispersed by wind and natural convection.

### Any enclosure in which the appliance is used shall comply with the following:

An enclosure with walls on all sides, but at least one permanent opening at ground level and no overhead cover (see Example 1).

Within a partial enclosure that includes an overhead cover and no more than two walls (see Example 2 & 3).

### Within a partial enclosure that includes an overhead cover and more than two walls, the following will apply:

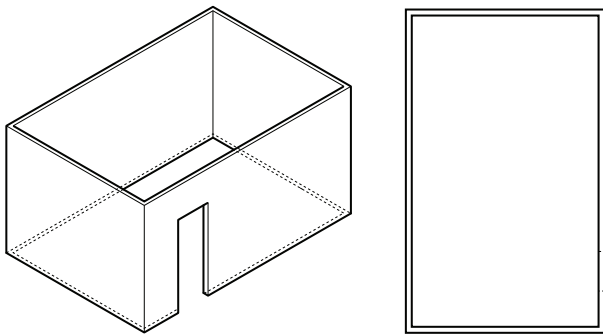
at least 25% of the total wall area is completely open, and

at least 30% of the remaining wall area is open and unrestricted (see Example 4 & 5).

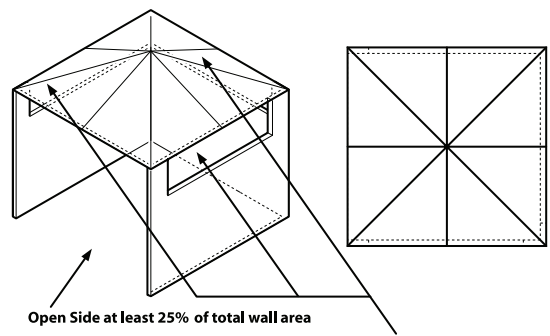
**In the case of balconies, at least 20% of the total wall area shall be and remain open and unrestricted.**

## DIAGRAMMATIC REPRESENTATIONS OF OUTDOOR AREAS

The following figures are diagrammatic representations of outdoor areas. Rectangular areas have been used in these figures – the same principles apply to any other shaped area.



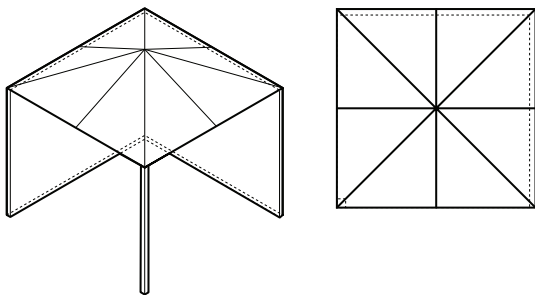
Outdoor Area - Example 1



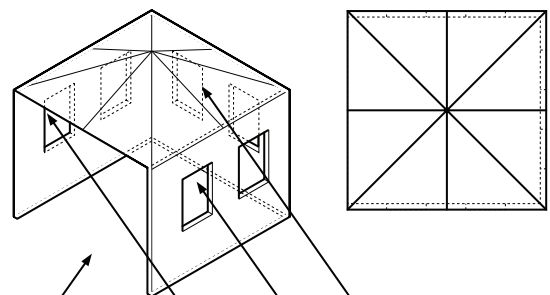
Open Side at least 25% of total wall area

30% or more in total of the remaining wall area is open and unrestricted

Outdoor Area - Example 4



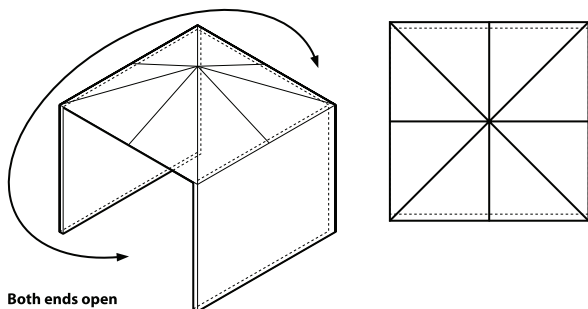
Outdoor Area - Example 2



Open Side at least 25% of total wall area

30% or more in total of the remaining wall area is open and unrestricted

Outdoor Area - Example 5



Both ends open

Outdoor Area - Example 3

## PATIO HEATER RANGE

Aber warrants the purchaser of this Patio Heater against defects in workmanship and material, for a period of 12 months from the date of purchase. Patio Heaters are warranted for 12 months for domestic use only. Commercial use will void warranty.

Warranty and purchase receipt of this product are to be retained as proof of purchase and must be presented if making a claim under the terms of the Aber warranty. Repairs under warranty are made free of charge, provided the Patio Heater is delivered to our Service Department or Authorised Service Agent and freight charges both ways are paid by the owner. No liability will be accepted for any loss or damage in transit.

Note: In most cases the Burner Head, Hose and Regulator only will need to be returned.

Aber reserves the right to replace or repair the appliance within the warranty period. Warranty does not apply to any defect, deterioration ((including corrosion if located within 1km of the sea), loss, injury or damage occasioned by or as a result of the misuse or abuse, negligent handling or if the product has not been installed and used in accordance with the instructions. The warranty is void if there is evidence of the product being tampered with by unauthorised persons.

If the product includes one or a number of accessories, only the defective accessory or part will be replaced i.e. Hose, Piezo Ignitor, Regulator or Reflector.

In the event of Aber choosing to replace the appliance, the guarantee will expire at the original date, i.e. 12 months from the original purchase date.

Where this product contains information from an overseas country, nothing in that information is intended to limit any condition, guarantee, right or remedy which may be available under the Consumer Guarantees Act 1993, except to the extent permitted by that Act.

### Approved For Outdoor Use Only

**For service, spare parts or product information in New Zealand,  
please call Aber on the Customer Service Line – 0800 161 161. [www.aber.co.nz](http://www.aber.co.nz).**

#### YOUR PURCHASE RECORD (please complete)

Date of Purchase \_\_\_\_ / \_\_\_\_ / \_\_\_\_

Model Number \_\_\_\_\_

Serial Number (if applicable) \_\_\_\_\_

Purchased from \_\_\_\_\_

**Attach copy of purchase receipt here**



