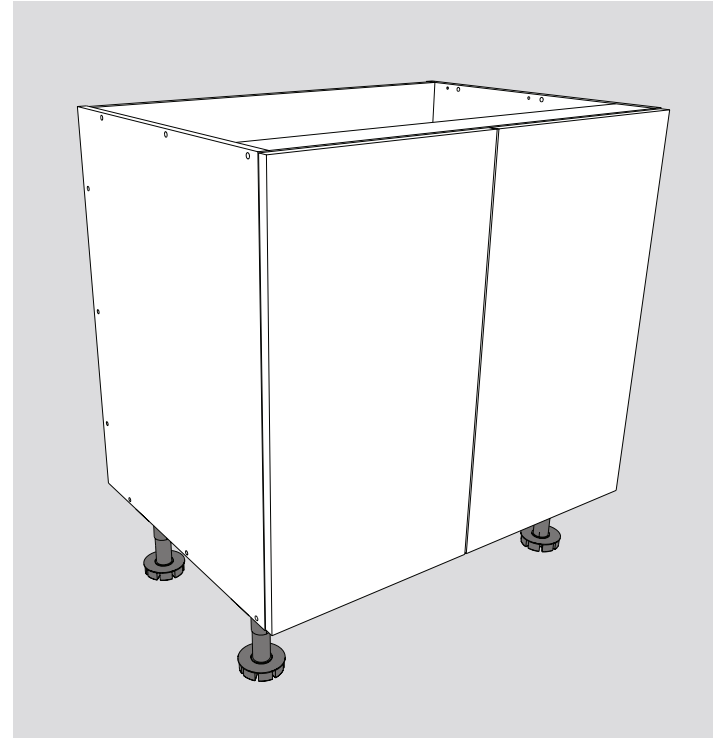


BASE CABINET 1 SHELF



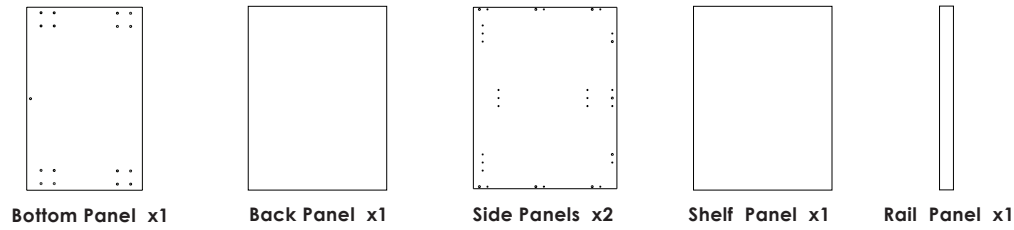
Assembly Instructions

Suitable for Base Cabinets:
B600-IMP, B700-IMP, B800-IMP,
B900-IMP.

732.25.811

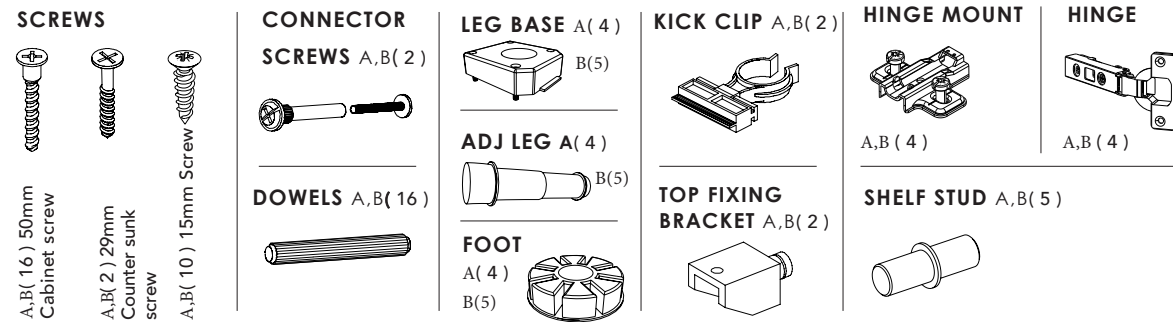
Handy Note: Please read the instructions carefully before you start and make sure to identify the parts you need for each step. When assembling it is best to do on a soft surface to prevent damage.

Cabinet Panels included.

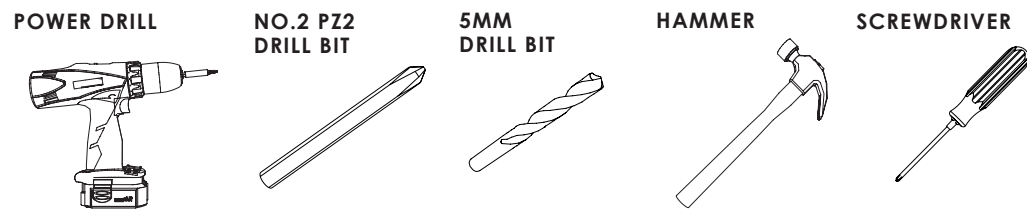


HÄFELE Hardware included.

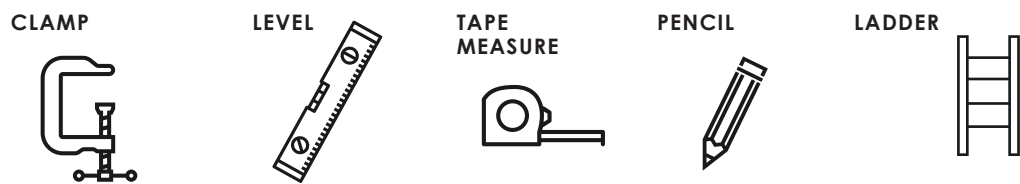
Legend
A. = B600-IMP
B700-IMP
B800-IMP
B. = B900-IMP



Required Tools.

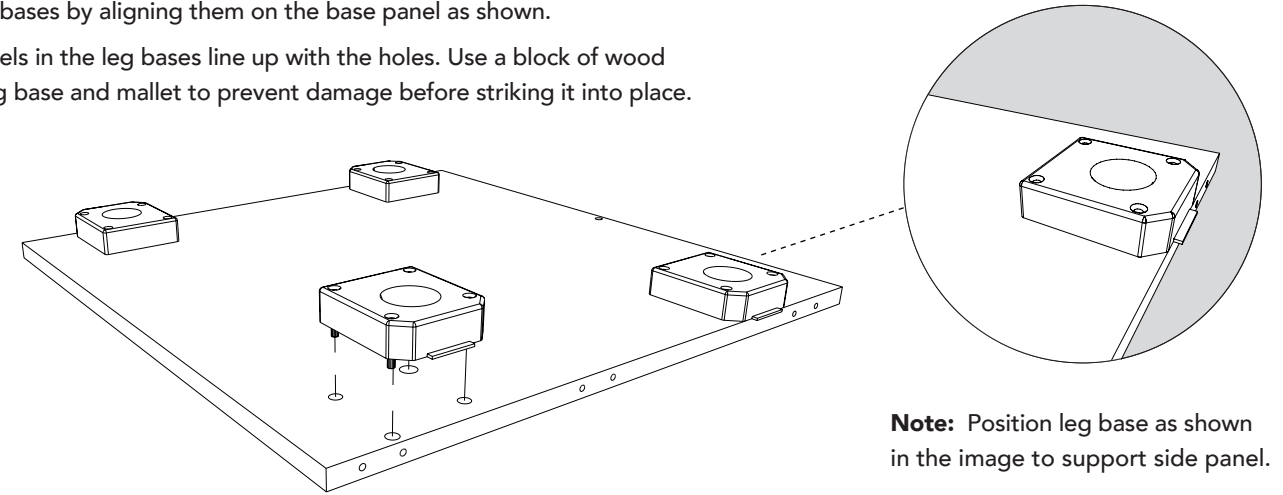


Handy Tools.



1. Installing Leg Bases.

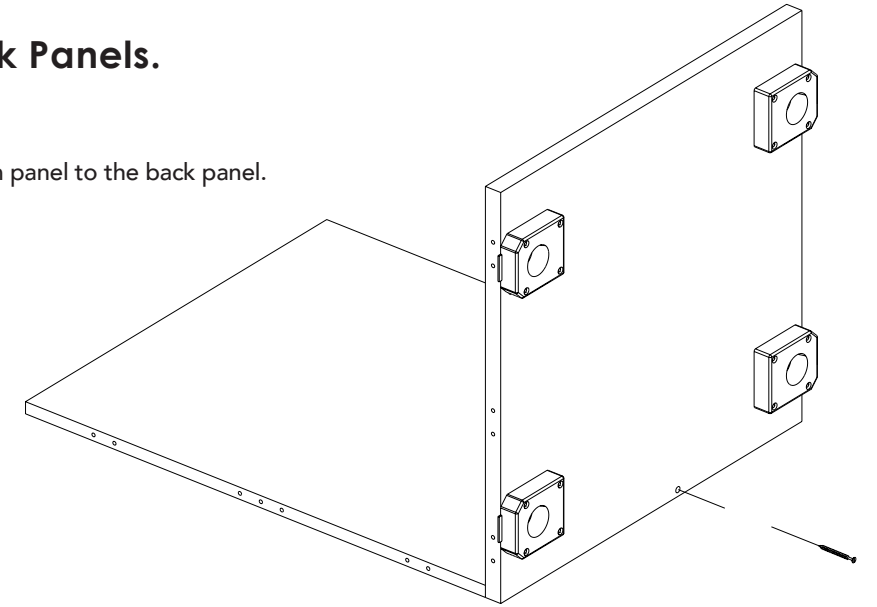
- Fix the Leg bases by aligning them on the base panel as shown.
- Ensure dowels in the leg bases line up with the holes. Use a block of wood between leg base and mallet to prevent damage before striking it into place.



Note: Position leg base as shown in the image to support side panel.

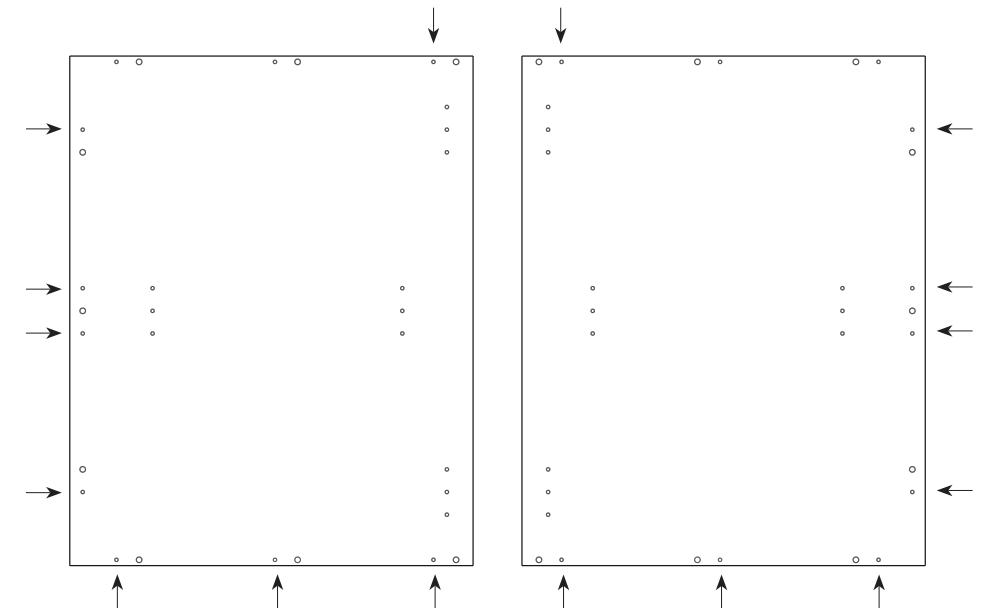
2. Fixing Bottom and Back Panels.

- Lay the back down flat as shown.
- Use 50mm Cabinet Screws to fix the bottom panel to the back panel.



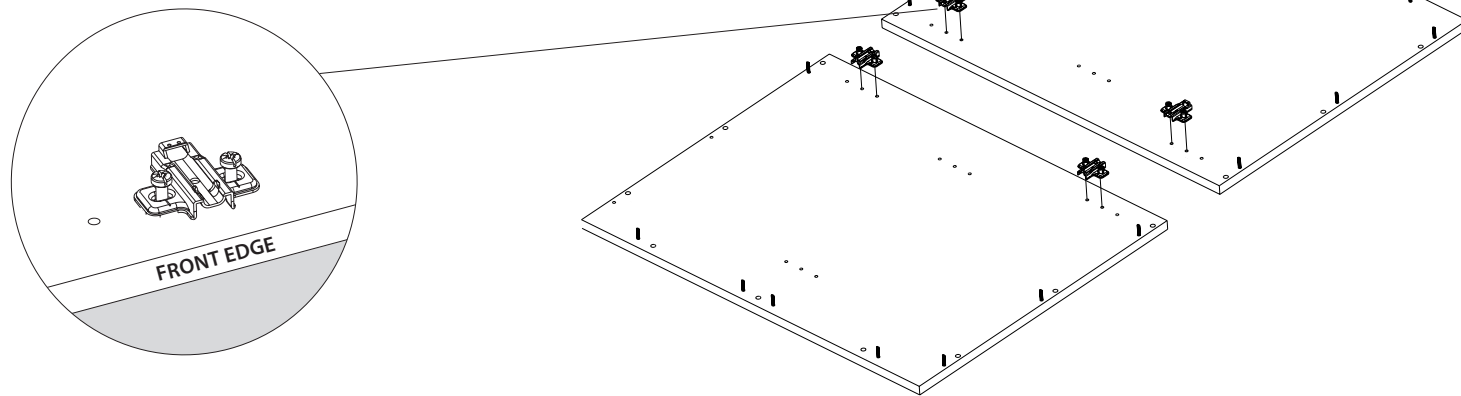
3. Inserting Dowels into Side Panels

- While laying the panels flat, insert the dowels into the correct holes marked in the image shown.



4. Fixing Hinge Mounts to Side Panels.

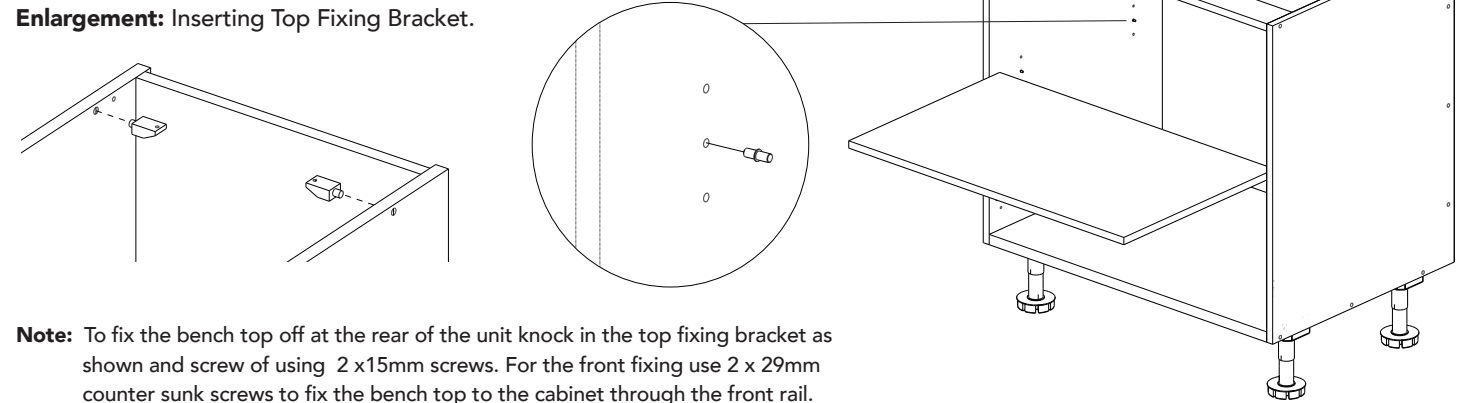
- Screw the hinge mounts to the side panels as shown.



7. Shelf Placement & Bench Top Fixing.

- Insert the supplied shelf studs into the corresponding holes on the side panel to achieve the desired height. Shelves simply sit on the shelf studs.

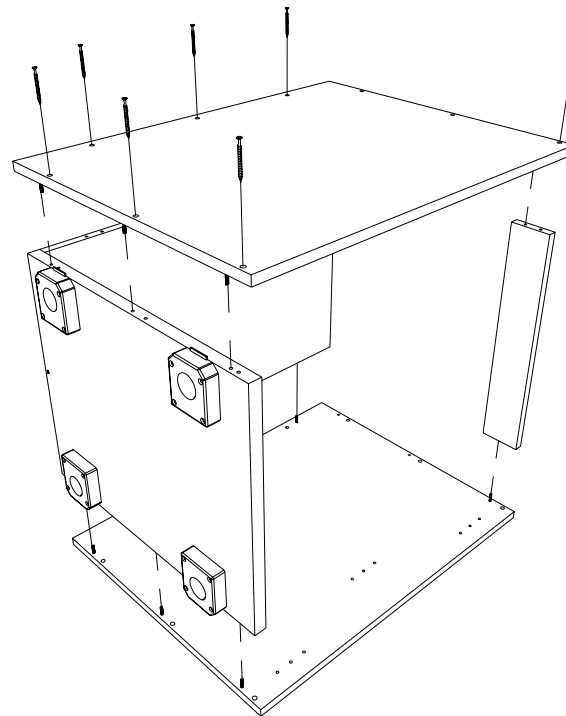
Enlargement: Inserting Top Fixing Bracket.



Note: To fix the bench top off at the rear of the unit knock in the top fixing bracket as shown and screw of using 2 x15mm screws. For the front fixing use 2 x 29mm counter sunk screws to fix the bench top to the cabinet through the front rail.

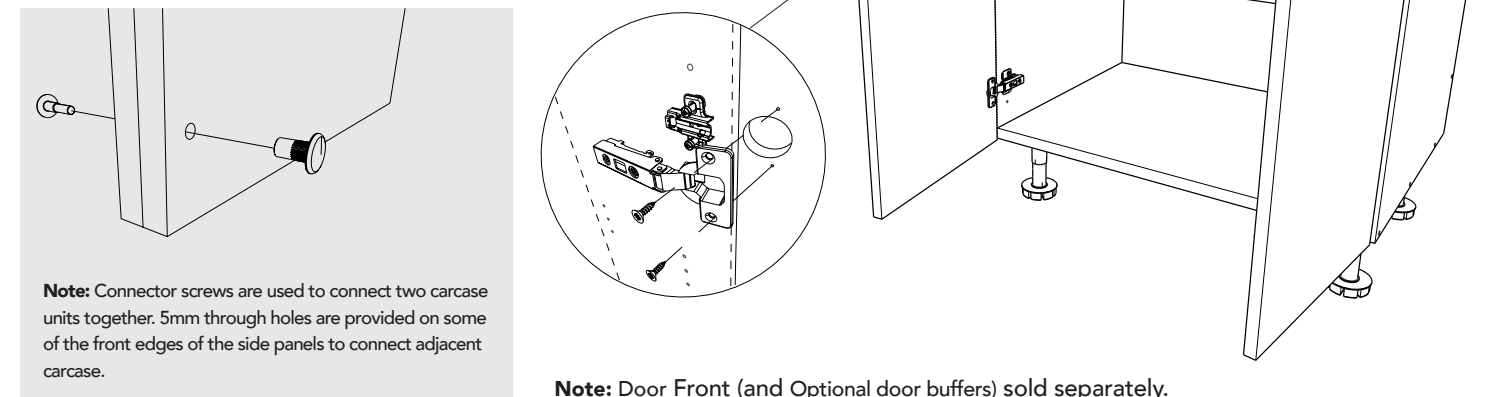
5. Fixing Side Panels to Bottom, Back and rail.

- Align the base and back panel onto the dowels on the side panel.
- Align the rail onto the correct dowels as shown in the image.
- Lift and align the second side panel to ensure dowels are aligned with the corresponding holes. Use 50mm Cabinet screws to fix the rail, back and bottom to the side panel.
- Flip the cabinet to secure the other side panel with back, base and rail panel using 50mm Cabinet screws.



8. Fitting the Door Hinges.

- Fix the hinges using 15mm Screws (x2) as shown.
- Clip doors onto the unit. See hinge installation for further details.

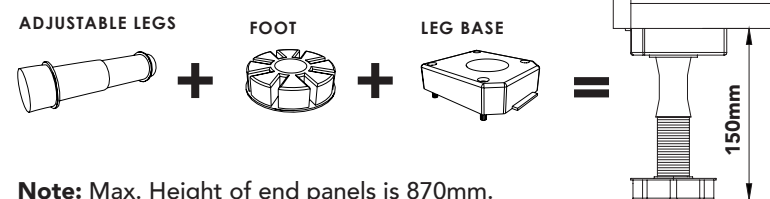


Note: Connector screws are used to connect two carcass units together. 5mm through holes are provided on some of the front edges of the side panels to connect adjacent carcass.

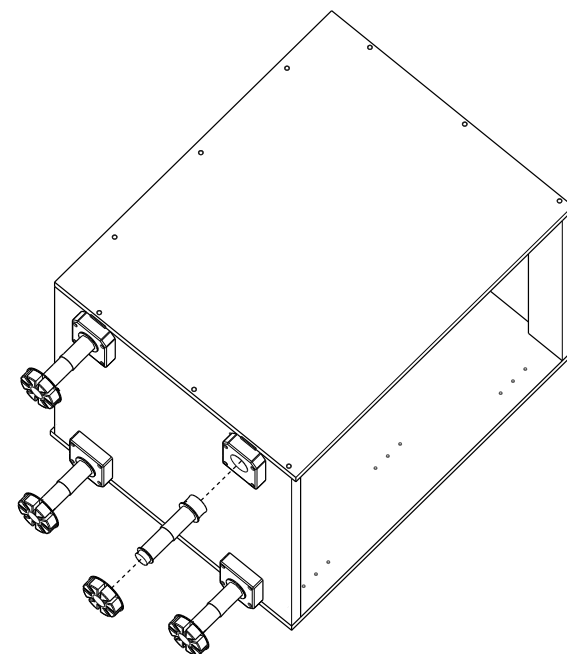
Note: Door Front (and Optional door buffers) sold separately.

6. Fixing leg and foot to leg base.

- Cabinet Feet:** Join the supplied Adjustable leg into the foot and then insert it into the leg bases attached to the base panel.
 - Height of the Legs = $\pm 150\text{mm}$
 - Height of the Cabinet = 720mm
 - Height of Cabinet + Legs = 870mm



Note: Max. Height of end panels is 870mm.



9. Hinge Installation & Adjustments.

- Hook the hinge into the front of the mount.
- Push this button to release the hinge from the mount.
- Push the back down onto the hinge mount until you hear a click.
- Use these screws to adjust door up / down.
- Use these screws to adjust door in/out.
- Use these screws to adjust door right / left.

