



# BUILD YOUR OWN PICTURE FRAME

**CAUTION:** Kit contains components with functional sharp points. Adult supervision required. Please dispose of any components if they become damaged after assembly. Use safety goggles at all times. Small parts: not suitable for children under three years.



## PART LIST

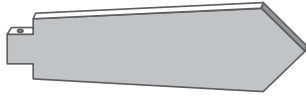
Long nails ×11  
(9 Required)

Short nails ×8  
(6 Required)

Plastic pad ×4



Short fixing strip ×2



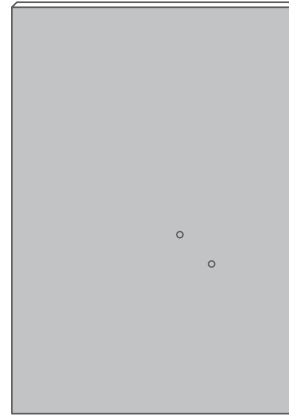
Bracket ×1



Fixed block ×1



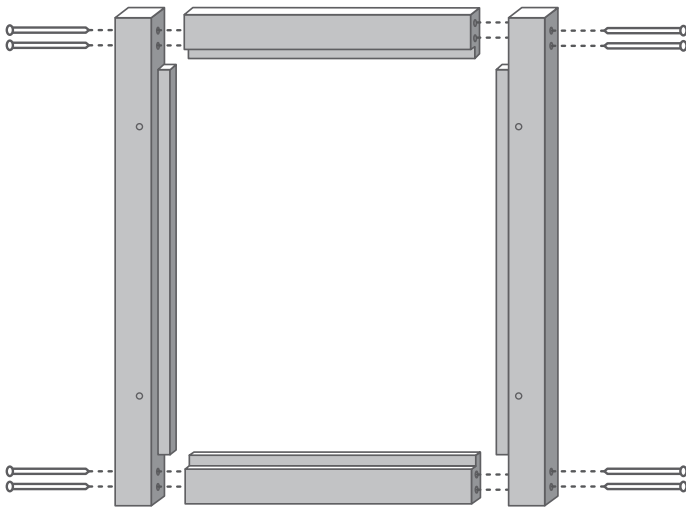
Long fixing strip ×2



Back panel ×1

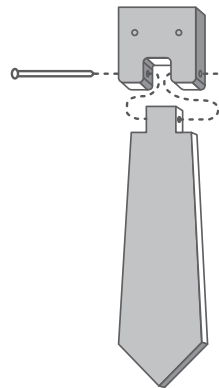


Front panel ×1

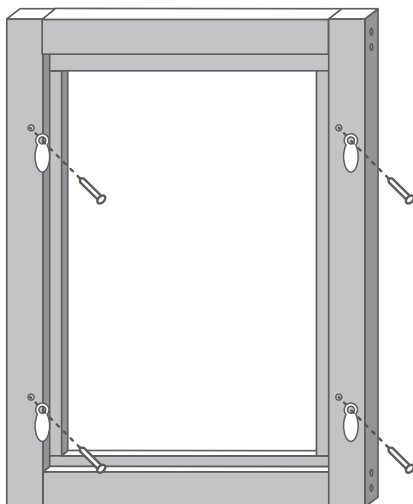


1. Assemble the fixing strips together with 8 of the long nails to form the frame.

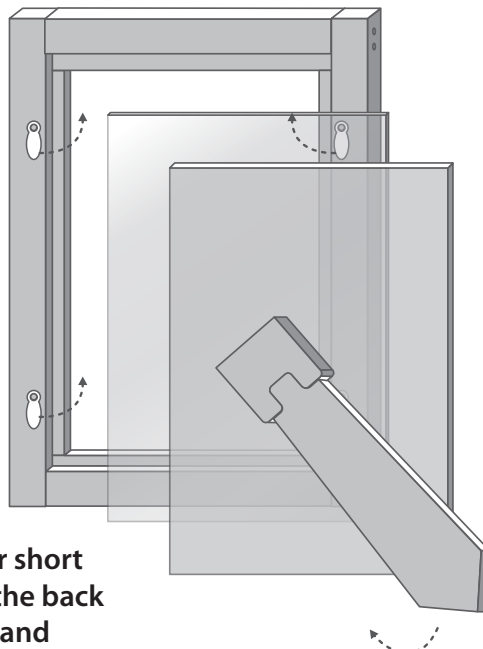
Notice:  
Drive the nail through the large hole on the left.



2. Assemble the bracket and fixed block together using one long nail. Then attach the fixed block onto the back panel using two short nails.



3. Attach the plastic pads with four short nails. Place the front panel, install the back panel by turning the pads to open and then close them once it is in position.



4. Complete.

