

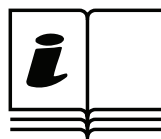
# STANLEY®

ST-45-KFA-E / ST-70T-KFA-E / ST-70TW-KFA-E /  
ST-125T-KFA-E / ST-175T-KFA-E / ST-215T-KFA-E



**NEVER LEAVE HEATER UNATTENDED WHILE BURNING, OR WHILE  
CONNECTED TO A POWER SOURCE.**

**THIS PRODUCT IS NOT SUITABLE FOR PRIMARY HEATING PURPOSES.**

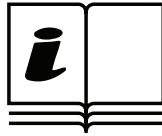


## NEVER LEAVE HEATER UNATTENDED WHILE CONNECTED TO A POWER SOURCE

### PLEASE READ THE FOLLOWING INSTRUCTIONS CAREFULLY BEFORE USING THE APPLIANCE.

- This appliance can be used by children aged from 8 years and above and persons with reduced physical, sensory or mental capabilities or lack of experience and knowledge if they have been given supervision or instruction concerning use of the appliance in a safe way and understand the hazards involved. Children shall not play with the appliance. Cleaning and user maintenance shall not be made by children without supervision.
- Children of less than 3 years should be kept away unless continuously supervised. Children aged from 3 years and less than 8 years shall only switch on/off the appliance provided that it has been placed or installed in its intended normal operating position and they have been given supervision or instruction concerning use of the appliance in a safe way and understand the hazards involved. Children aged from 3 years and less than 8 years shall not plug in, regulate and clean the appliance or perform user maintenance.
- **CAUTION:** Some parts of this product can become very hot and cause burns. Particular attention has to be given where children and vulnerable people are present.
- If the supply cord is damaged, it must be replaced by the manufacturer, its service agent or similarly qualified persons in order to avoid a hazard.
- The heater must not be located immediately below a socket-outlet.
- Do not use this heater in the immediate surroundings of a bath, a shower or a swimming pool.
- This heater is filled with a precise quantity of special oil. Repairs requiring opening of the oil container are only to be made by the manufacturer or his service agent who should be contacted if there is an oil leak.
- When scrapping the heater, follow the regulations concerning the disposal of oil. Do not dispose of the heater in household waste and recycle the heater where local facilities exist for electrical goods and oil
- Place the appliance on a flat, stable, heat-resistant surface. Operating the product in any other position could cause a hazard.
- There may be trace of odour during the first few minutes of initial use. This is normal and will quickly disappear.
- Do not attempt to repair, disassemble or modify the appliance. There are no user-serviceable parts inside.
- **CAUTION:** if using an extension lead please ensure you do not exceed the maximum rated running wattage/load of the extension lead.

**NEVER LEAVE HEATER UNATTENDED WHILE CONNECTED TO A POWER SOURCE**



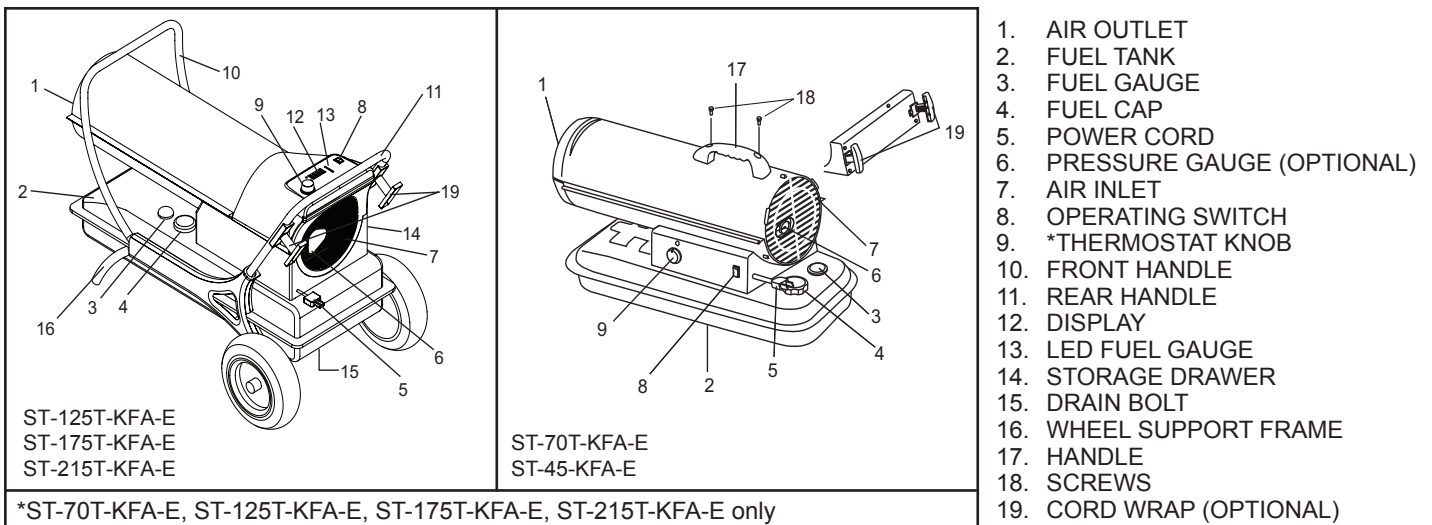
**Read The Instruction manual: When this symbol is marked on a product, it means that the instruction manual must be read.**



**WARNING! Never touch heater until heater has cooled off.**



This appliance can be used by children aged from 8 years and above and persons with reduced physical, sensory or mental capabilities or lack of experience and knowledge if they have been given supervision or instruction concerning use of the appliance in a safe way and understand the hazards involved. Children shall not play with the appliance. Cleaning and user maintenance shall not be made by children without supervision.



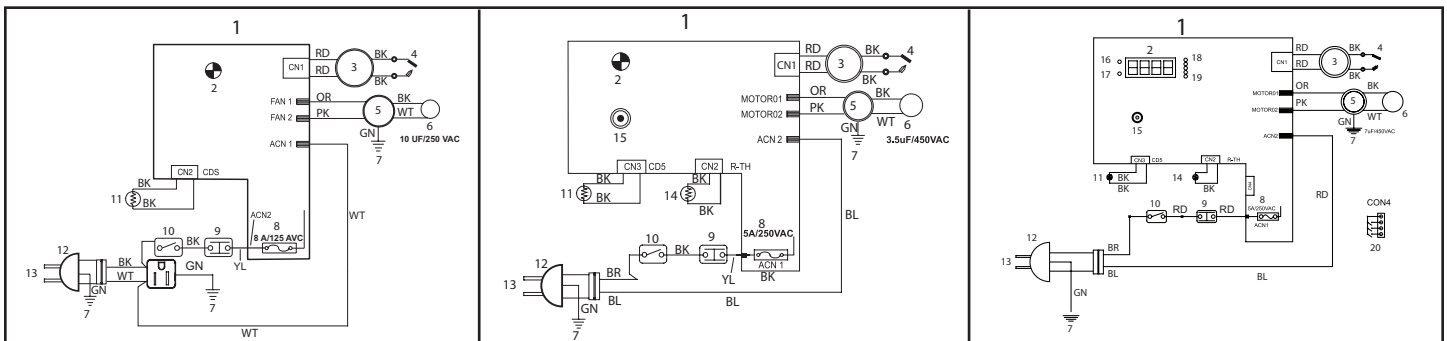
# NEVER LEAVE HEATER UNATTENDED WHILE CONNECTED TO A POWER SOURCE

## SPECIFICATIONS

Specifications subject to change without notice

Model #	ST-45-KFA-E	ST-70T-KFA-E	ST-125T-KFA-E	ST-175T-KFA-E	ST-215T-KFA-E
HEATING AREA (m <sup>3</sup> )	104	158	288	400	492
THERMAL POWER (kW)	13.2	20.5	36.6	51.2	63.0
FUEL CONSUMPTION (L/H)	1.3	2.0	3.6	5.07	6.2
TANK CAPACITY (L)	19	19	38 L	49	49
MAX OPERATING HOURS	14	9	10	9.5	8
VOLTAGE (AMPS) 230V/50Hz	1.4	1.5	2.3	2.7	2.8
MOTOR AMPS	0.5	0.5	0.9	1.1	1.1
MOTOR PHASE	SINGLE	SINGLE	SINGLE	SINGLE	SINGLE
HEATER HEAT OUTPUT (°C)	388	393	404	516	649
AIRFLOW (CMH)	289	408	918	1070	1138
PUMP PRESSURE (BAR)	0.21	0.26	0.31	0.45	0.55
MINIMUM/MAXIMUM RECOMMENDED OPERATING AMBIENT TEMPERATURE	-12 °C/24 °C	-12 °C/24 °C	-12 °C/24 °C	-12 °C/24 °C	-12 °C/24 °C
PRODUCT DIMENSIONS (cm)	76 x 34 x 39	76 x 34 x 40	105 x 56 x 65	115 x 65 x 70	111 x 66 x 61
HEATER WEIGHT (Kg)	12.7	14.1	26.2	30	29.3
ALLOWED FUEL TYPES	Paraffin/Diesel	Paraffin/Diesel	Paraffin/Diesel	Paraffin/Diesel	Paraffin/Diesel
POWER INPUT (W)	160	160	252	298	298

## WIRING DIAGRAM



**ST-45-KFA-E**

**ST-70T-KFA-E**

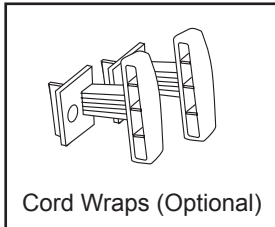
**ST-125T-KFA-E, ST-175T-KFA-E  
ST-215T-KFA-E**

- |                                    |                      |                  |
|------------------------------------|----------------------|------------------|
| 1. PANEL PCB                       | 10. OPERATING SWITCH | 20. LEVEL SWITCH |
| 2. OPERATION LAMP/DIGITAL DISPLAY* | 11. PHOTOCELL        | BL. BLUE         |
| 3. IGNITOR                         | 12. POWER PLUG       | RD. RED          |
| 4. SPARK PLUG                      | 13. AC 230V/ 50 Hz   | BK. BLACK        |
| 5. PUMP                            | 14. ROOM SENSOR      | WT. WHITE        |
| 6. CAPACITOR                       | 15. THERMOSTAT       | GN. GREEN        |
| 7. EARTH                           | 16. TEMPERATURE      | BR. BROWN        |
| 8. FUSE                            | 17. RUN TIME         | YL. YELLOW       |
| 9. LIMIT CONTROL                   | 18. FULL             | OR. ORANGE       |
|                                    | 19. EMPTY            | PK. PINK         |

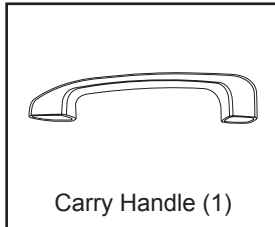
\*125T/175T/215T only

**NEVER LEAVE HEATER UNATTENDED WHILE CONNECTED TO A POWER SOURCE**

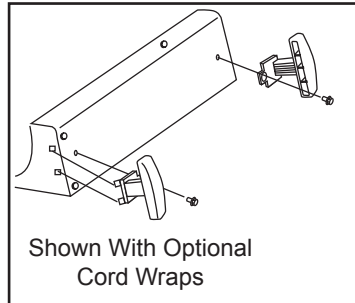
**WHAT'S IN THE BOX (45-KFA / 70T-KFA)**



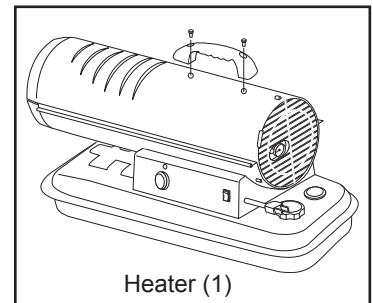
Cord Wraps (Optional)



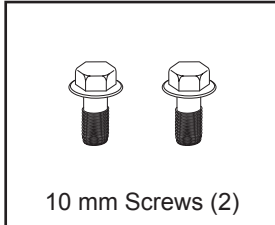
Carry Handle (1)



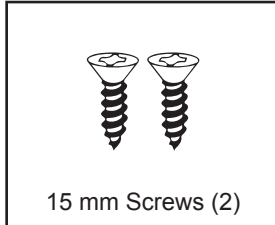
Shown With Optional Cord Wraps



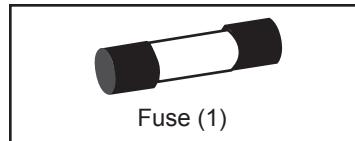
Heater (1)



10 mm Screws (2)



15 mm Screws (2)



Fuse (1)

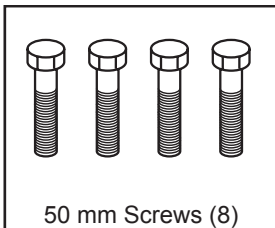
**WHAT'S IN THE BOX (125T-KFA / 175T-KFA / 215T-KFA)**

**i** **Tip:** Be sure to remove the axle from the side of the Styrofoam packaging.

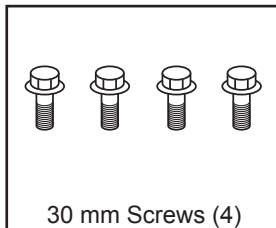
**i** **Tip:** Use a power screwdriver and locking wrench for easier assembly.

**Tools Needed:**

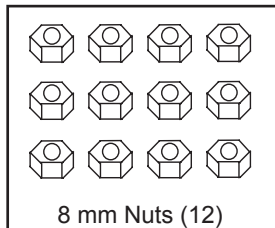
- Phillips Head Screw Driver
- 8 mm open end wrench
- 19 mm open end wrench



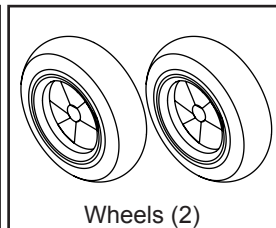
50 mm Screws (8)



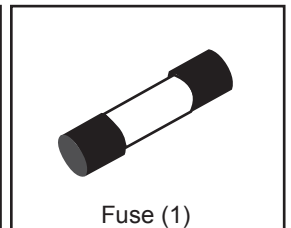
30 mm Screws (4)



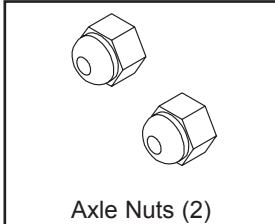
8 mm Nuts (12)



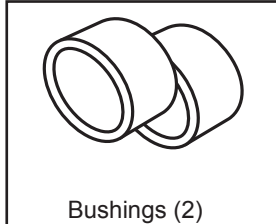
Wheels (2)



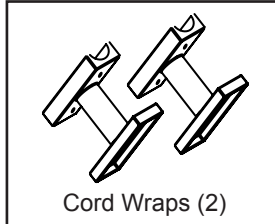
Fuse (1)



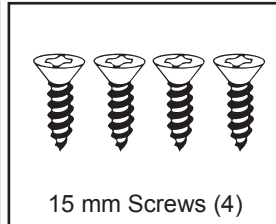
Axle Nuts (2)



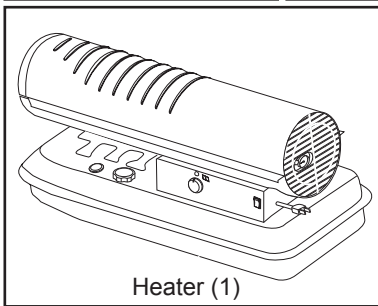
Bushings (2)



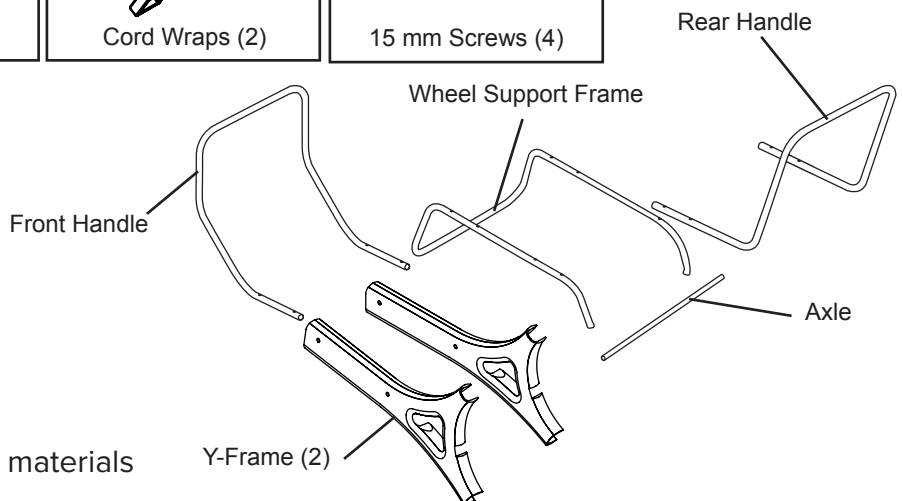
Cord Wraps (2)



15 mm Screws (4)



Heater (1)



- Remove the heater and all packaging materials from the shipping carton

# NEVER LEAVE HEATER UNATTENDED WHILE CONNECTED TO A POWER SOURCE

## Safety Information

This is a paraffin, direct-fired, forced air heater. It is primarily intended for use for temporary heating of buildings under construction, alteration or repair. This appliance produces small amounts of carbon monoxide. **WARNING! Risk of indoor air pollution!** Use this heater only in well ventilated areas! Provide at least a 2,800 sq cm opening of outside air for every 29,3 kw/hr or 100,000 BTU/hr of heater rating. Provide a larger opening if more heaters are being used.

**⚠ DANGER** Carbon Monoxide poisoning may lead to death!

**⚠ WARNING** Risk of burns / fire / explosion! NEVER use fuel such as gasoline, benzene, alcohol, white gas, camp stove fuel, paint thinners, or other oil compounds in this heater (THESE ARE VOLATILE FUELS THAT CAN CAUSE A FIRE OR EXPLOSION).

**⚠ WARNING** Fire, burn, inhalation, and explosion hazard. Keep combustibles a safe distance away from the heater as recommended by these instructions. Never use the heater in spaces which contain products such as gasoline, solvents, paint thinners, dust particles, volatile or airborne combustibles, or any unknown chemicals. This is an unvented portable heater. It uses air (oxygen) from the area in which it is used. Adequate combustion and ventilation air must be provided.

**⚠ WARNING** Do not operate this heater until you have read, and thoroughly understand these safety and operating instructions. Failure to comply with the precautions and instructions provided with this heater can result in death, serious bodily injury, property loss or damage from the hazards of fire, soot production, explosion, burns, asphyxiation or carbon monoxide poisoning. Only persons who can read and understand these instructions should use or service this heater. Retain this manual for your reference.

### Minimum clearance from Combustibles:

	45-70T-70TW-125T-175T	215T
Top	4ft / 1.22m	
Sides	4ft / 1.22m	
Front	8ft / 2.44m	10ft / 3.05m

- NEVER refill the heater's fuel tank while heater is operating or still hot. This heater is EXTREMELY HOT while in operation.
- Keep all combustible materials away from this heater.
- NEVER block air inlet (rear) or air outlet (front) of heater.
- NEVER use duct work in front or at rear of heater.
- NEVER move or handle heater while still hot.
- NEVER transport heater with fuel in its tank.
- If equipped with a thermostat, the heater may start at any time.
- ALWAYS locate heater on a stable and level surface.
- ALWAYS keep children and animals away from heater.
- Bulk fuel storage should be a minimum of 7.6m (25 ft). from heaters, torches, portable generators, or other sources of ignition.
- ALWAYS unplug the heater when not in use.
- Not for use in homes or recreational vehicles.
- Never use this heater in living or sleeping areas.
- NEVER use heater where flammable vapors may be present.
- Use only the electrical power (voltage and frequency) specified on the model plate of the heater.
- ALWAYS install the heater so that it is not directly exposed to water spray, rain, dripping water, or wind.
- NEVER store fuel in direct sunlight, indoors, or near a source of heat.

- NEVER use fuel that has been stored from one season to the next. Fuel deteriorates over time. OLD FUEL WILL NOT BURN PROPERLY IN THIS HEATER.

## Assembly

### MODELS ST-45/70T-KFA-E

- **Tools required:** Medium phillips screw driver.
1. Align the holes in the upper housing with the 2 holes in the handle.
  2. Insert and tighten screws securely with screw driver.
  3. Insert tabs on cordwrap into slots in shell support, lining up the holes on the cordwrap with those on the side cover.
  4. Insert and tighten screws securely with screw driver.

### MODELS ST-70TW/ST-125T/175T/215T-KFA-E

- **Tools required:** Medium phillips screw driver, 8mm open end or adjustable wrench, needle nose pliers.
1. Slide axle through holes in Wheel Support Frame.
  2. Slide bushing onto each end of axel, outside of support frame.
  3. Slide wheels on to each axle.
  4. Attach nut to axle and tighten.
  5. Place heater on the assembled frame, making sure that the air inlet end is by the wheels, and the mounting holes on the tank flange of the heater align with holes in frame.
  6. Take the front handle and align the mounting holes with the corresponding holes in the tank flange/wheel frame. Slide a screw (A) through the holes and loosely attach a nut. Repeat for the other 3 holes, then fully tighten all 4 screws and nuts.
  7. Repeat this process with the rear handle.
  8. Attached cord wraps on both rear handles with 2 screws and 2 nuts, see Figure 1.
  9. Attach "Y" frame to both sides of heater by aligning 2 holes with holes on front and rear handles and tighten 2 screws. Slide the "Y" cover clip up the handle to cap the end, see Figure 2.

**⚠ WARNING**  
NEVER REFUEL THIS HEATER WHILE IT IS HOT OR OPERATING. FIRE OR EXPLOSION COULD RESULT.

**⚠ CAUTION**  
NEVER FILL THE FUEL TANK INDOORS. ALWAYS FILL THE TANK OUTDOORS. BE SURE THAT THE HEATER IS ON LEVEL GROUND WHEN FUELING, AND NEVER OVERFILL THE FUEL TANK.

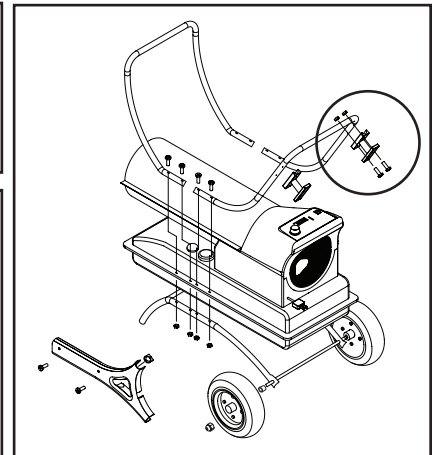


Figure 1. Handle Assembly

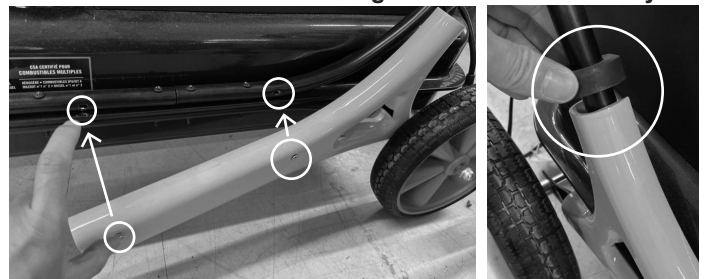


Figure 2 "Y" Frame Assembly

# NEVER LEAVE HEATER UNATTENDED WHILE CONNECTED TO A POWER SOURCE

## Operation

This heater is factory-tested for use with 1-K kerosene/paraffin, no. 1 & no. 2 diesel, JP8/Jet A Fuel, and no. 1 & no. 2 fuel oil.

### TO START THE HEATER:

1. Fill the tank with paraffin until fuel gauge points to "F".
2. Be sure fuel cap is secure.
3. Plug power cord into electrical outlet.
4. Turn thermostat control knob to desired temperature setting (70/125/175/215 only). The setting range is from 5°C to 45°C. Push the Power switch to the "ON" position. The power indicator lamp and room temperature display (125/175/215 only) will light and the heater will start.

Optimum pressure occurs when the nose cone is cherry red and there are no extending flames from the heater.

**NOTE:** The room temperature display (125/175/215 only) will indicate the following:

- When temperature is less than -17° C, display says "LO".
- When temperature is above 37° C, display says "HI".
- Between -17° and 37° C display shows actual temperature.

**TO STOP THE HEATER:** Turn the Temp. Setting Knob to left, turn the Power Switch to "OFF" position, and unplug the Power Cord.

### TO RESTART THE HEATER

1. Wait ten seconds after shutting off heater.
2. Turn the Power Switch to "ON" position.
3. Be sure to follow all starting procedure precautions.

## LONG TERM STORAGE

### Drain Fuel Tank

1. For models ST-45/70T/70TW-KFA-E, drain fuel through the fuel cap opening using an approved siphon. For models ST-125/175/215-KFA-E, drain fuel through the Drain Plug at the bottom of the Fuel Tank.
2. To remove the Drain Plug (125/175/215), pull the Plug Grip downward and remove seal head from drain hole in tank.
3. Rinse and completely empty the tank.
4. To replace, push the drain head fully into the drain hole and secure by pushing the seal cap fully into the head hole.

**IMPORTANT: Never store leftover fuel over the summer. Using old fuel can damage your heater.**

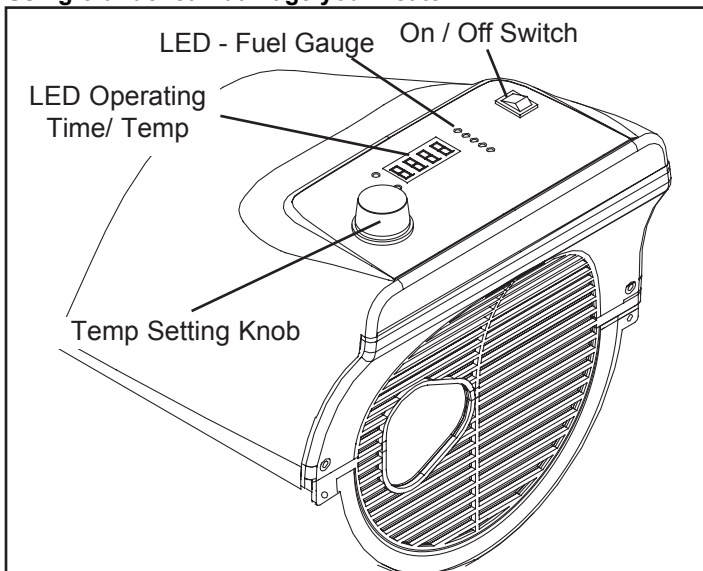


Figure 2. Start The Heater

**Store heater in a dry, well-ventilated area!** If your heater cannot be stored indoors, a tarp or weatherproof cover must be used to protect the heater.

Be sure that the storage area is free of dust and corrosive vapors. Repack the heater in the original shipping material. Keep the Users Manual in an easily accessible place.

## Maintenance

**Always service heater in a clean, flat, dry area. Never service heater while it is plugged in or while hot!**

**Never service heater in wet conditions. In an emergency, be sure heater has completely cooled before servicing using a tarp or weatherproof cover, to ensure heater or electronics inside heater are not exposed to wet conditions. Do not service heater while plugged in under any circumstance.**

**FUEL/FUEL TANK:** Flush every 200 hours of operation or as needed with paraffin.

**AIR FILTERS:** Open heater lid to access filters. Filters should be replaced every 500 hours of operation, or less, depending on conditions. See figure 7.1 on page 7 for detailed view.

**FAN BLADES:** Open heater lid to access fan blades. Blades should be cleaned at least once per heating season. See figure 6.1 on page 7 for detailed view.

**NOZZLES:** Open heater lid and remove burner head to access nozzle. Nozzles should be cleaned or replaced at least once per heating season. See figure 3.1 on page 7 for detailed view.

**SPARK PLUG:** Open heater lid to access spark plug. Clean and re-gap every 600 hours of operation, or replace as needed. Re-gap the terminals to 3.5mm. See figure 3.1 on page 7 for detailed view.

**PHOTOCELL:** Open heater lid to access photocell. The Photocell should be cleaned at least once per heating season or more depending on conditions. See figures 4.1 and 5.1 on page 7 for detailed view.

After servicing your heater you should perform the following function check before commissioning this heater:

- check the air and fuel lines for leaks using a 50/50 soap solution
- check extension cord for wear, cracks or cuts
- check to see igniter lines are connected securely to spark plug

**Improper maintenance can lead to poor combustion and soot production. Never alter or modify the heater. Use only genuine parts from the manufacturer or sales agent for repair and maintenance on your heater, and contact the manufacturer or sales agent before replacing parts other than those specified or recommended.**

### PUMP PRESSURE ADJUSTMENT:

While heater is operating, turn relief valve clockwise to increase, counterclockwise to decrease. Use flat blade screwdriver to turn valve. Correct pump pressure is on page 2.

**This appliance is not intended for use by persons (including children) with reduced physical, sensory or mental capabilities, or lack of experience and knowledge, unless they have been given supervision or instruction concerning use of the appliance by a person responsible for their safety. Children should be supervised to ensure that they do not play with the appliance.**

**If the power cord is damaged, it must be replaced by the manufacturer, its service agent or similarly qualified persons in order to avoid a hazard.**

# NEVER LEAVE HEATER UNATTENDED WHILE CONNECTED TO A POWER SOURCE

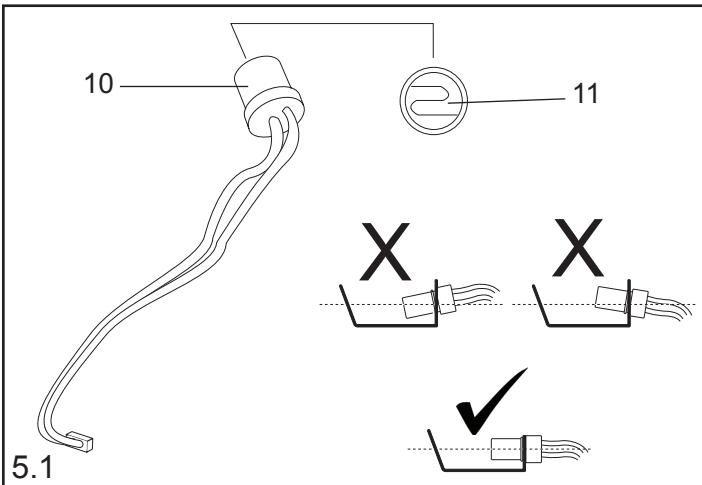
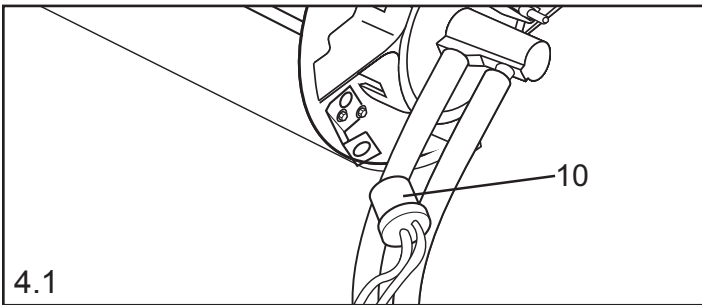
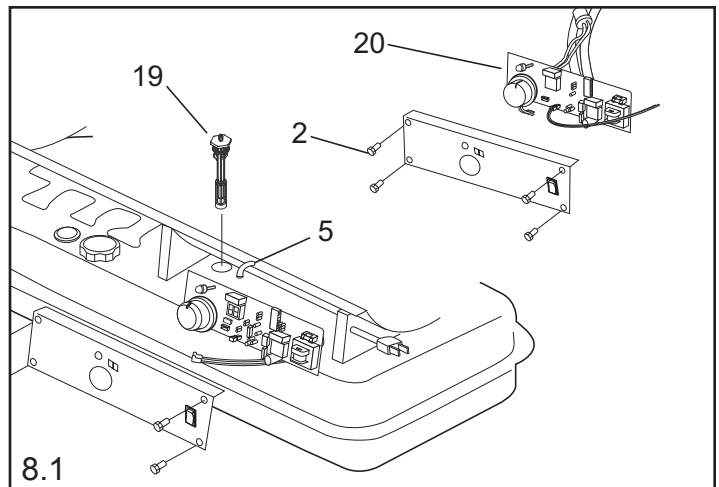
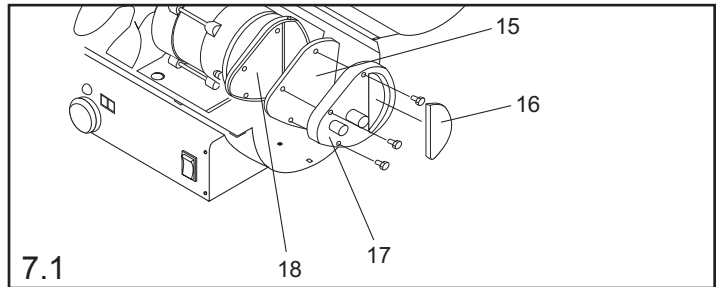
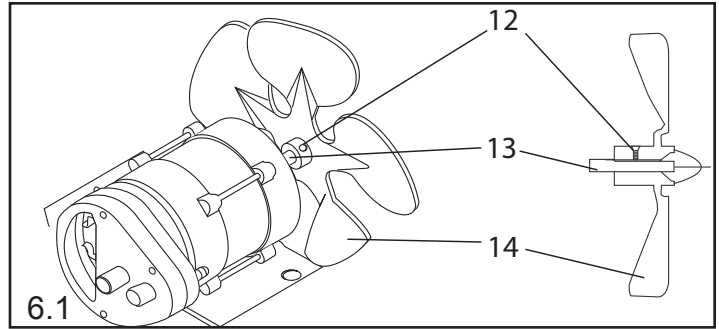
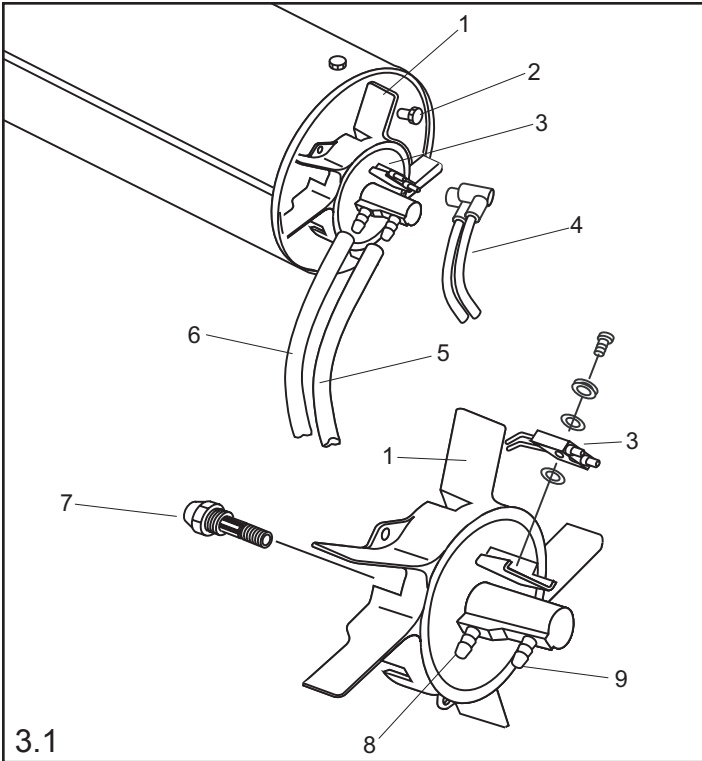
## TROUBLESHOOTING GUIDE

Problem	Possible Cause	Solution
Heater fires, but Main PCB shuts heater off after a short period of time. Lamp is flickering, and LED display shows "E1"	<ol style="list-style-type: none"> <li>1. Incorrect pump pressure</li> <li>2. Dirty Input, Output or Lint Filter</li> <li>3. Dirty Fuel Filter</li> <li>4. Nozzle is Dirty</li> <li>5. Photocell lens is Dirty</li> <li>6. Photocell not installed properly</li> <li>7. Photocell Defective</li> <li>8. Improper electrical connection between Main PCB and Photocell</li> </ol>	<ol style="list-style-type: none"> <li>1. Adjust Pump Pressure</li> <li>2. Clean/replace Air Filter</li> <li>3. Clean/replace Fuel Filter</li> <li>4. Clean/replace Nozzle</li> <li>5. Clean/replace Photocell</li> <li>6. Adjust Photocell position</li> <li>7. Replace Photocell</li> <li>8. Check wiring connections (See Wiring Diagrams, Page 7)</li> </ol>
Heater will not operate, or motor runs for short time. Lamp flickers and LED display shows "E1"	<ol style="list-style-type: none"> <li>1. No paraffin in fuel tank</li> <li>2. Incorrect pump pressure</li> <li>3. Corroded Spark Plug or incorrect plug gap.</li> <li>4. Dirty Fuel Filter</li> <li>5. Dirty Nozzle</li> <li>6. Moisture in Fuel/Fuel Tank</li> <li>7. Improper electrical connection between Transformer and Circuit Board</li> <li>8. Ignitor Wire not connected to Spark Plug</li> <li>9. Defective Ignitor</li> </ol>	<ol style="list-style-type: none"> <li>1. Fill tank with fresh paraffin</li> <li>2. Adjust Pump Pressure</li> <li>3. Clean/replace Spark Plug</li> <li>4. Clean/replace Fuel Filter</li> <li>5. Clean/replace Nozzle</li> <li>6. Rinse out fuel tank with clean fresh paraffin</li> <li>7. Inspect all electrical connections. See Wiring Diagrams</li> <li>8. Re-attach Ignitor wire to Spark Plug</li> <li>9. Replace Ignitor</li> </ol>
Fan does not operate when heater is plugged in and Power Switch is in the "ON" position. The lamp is flickering or on and LED Display shows "E1" or "E2"	<ol style="list-style-type: none"> <li>1. Thermostat is set too low (Does not apply to ST-45-KFA-E)</li> <li>2. Broken electrical connection between Main PCB and motor</li> </ol>	<ol style="list-style-type: none"> <li>1. Rotate thermostat to a higher setting</li> <li>2. Inspect all electrical connections. See Wiring Diagrams (Page 7)</li> </ol>
Lamp is flickering, and LED display shows "E3"	<ol style="list-style-type: none"> <li>1. Thermostat Switch has failed</li> </ol>	<ol style="list-style-type: none"> <li>1. Replace Thermostat Switch</li> </ol>
Poor Combustion and / or excess soot production	<ol style="list-style-type: none"> <li>1. Dirty Input, Output or Lint Filter</li> <li>2. Dirty Fuel Filter</li> <li>3. Poor quality of fuel</li> <li>4. PSI is too high or too low</li> </ol>	<ol style="list-style-type: none"> <li>1. Clean/replace Air Filter</li> <li>2. Clean/replace Fuel Filter</li> <li>3. Be sure fuel is not contaminated or old</li> <li>4. Use proper pressure</li> </ol>
Heater does not turn on and the lamp is not lit	<ol style="list-style-type: none"> <li>1. Temperature limit sensor has overheated</li> <li>2. No electrical power</li> <li>3. Fuse Blown</li> <li>4. Improper electrical connection between Temperature Limit Sensor and Circuit Board</li> </ol>	<ol style="list-style-type: none"> <li>1. Push Power Switch to "OFF" and allow heater to cool for 10 minutes. Push Power Switch to back to "ON"</li> <li>2. Check power cord and extension cord to insure of proper connection. Test power supply</li> <li>3. Check/replace Fuse</li> <li>4. Inspect all electrical connections. Wiring Diagrams (Page 7)</li> </ol>



**NEVER LEAVE HEATER UNATTENDED WHILE CONNECTED TO A POWER SOURCE**

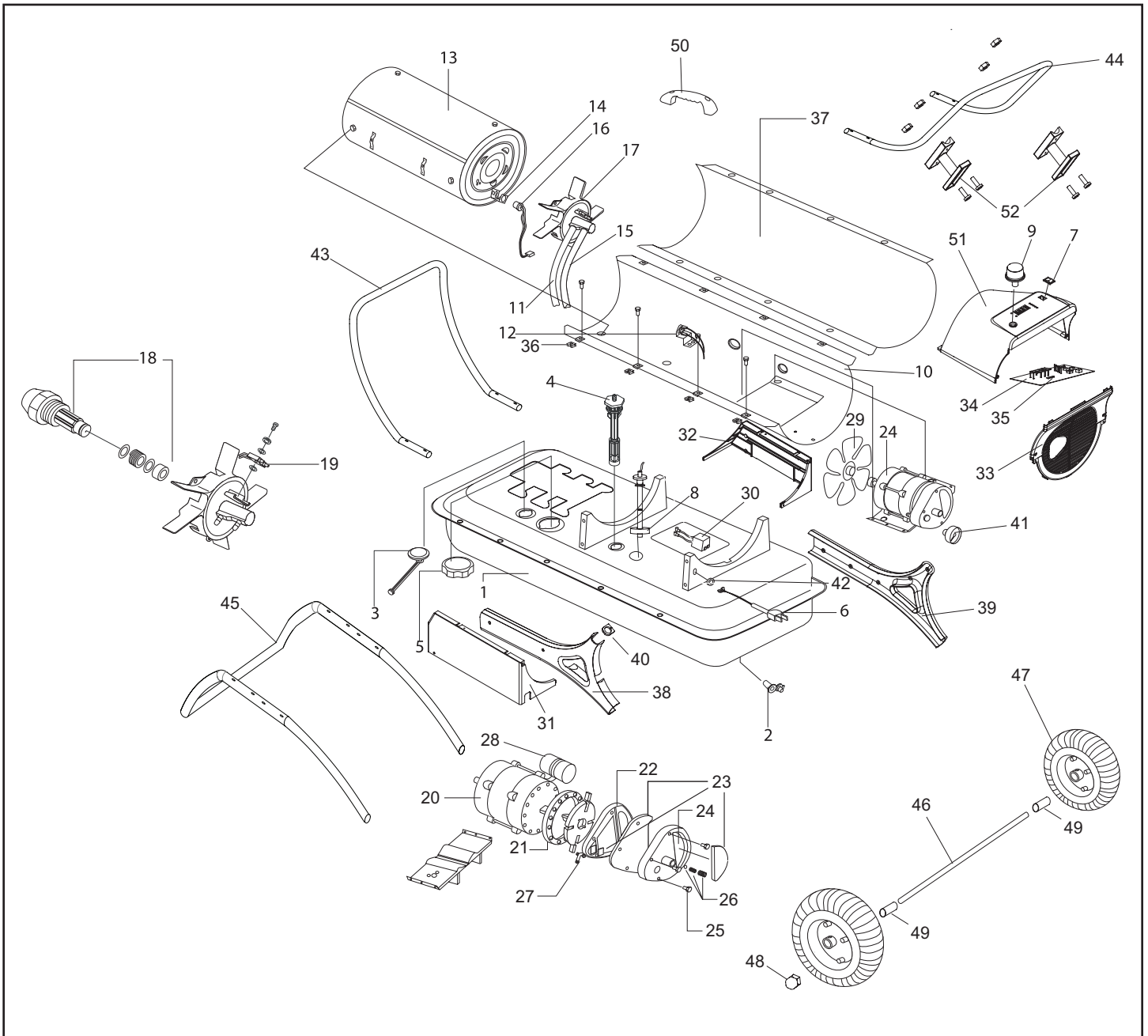
**PART MAINTENANCE**



- |                      |                      |
|----------------------|----------------------|
| 1. BURNER HEAD       | 12. SET SCREW        |
| 2. SCREW             | 13. MOTOR SHAFT      |
| 3. SPARK PLUG        | 14. FAN BLADE        |
| 4. IGNITOR WIRE      | 15. OUTPUT FILTER    |
| 5. FUEL HOSE         | 16. INTAKE FILTER    |
| 6. AIR HOSE          | 17. END FILTER COVER |
| 7. NOZZLE            | 18. LINT FILTER      |
| 8. AIR LINE FITTING  | 19. FUEL FILTER      |
| 9. FUEL LINE FITTING | 20. PCB              |
| 10. PHOTOCELL        |                      |
| 11. PHOTOCELL LENS   |                      |

**NEVER LEAVE HEATER UNATTENDED WHILE CONNECTED TO A POWER SOURCE**

**EXPLODED VIEW: ST-125T-KFA-E / ST-175T-KFA-E / ST-215T-KFA-E**

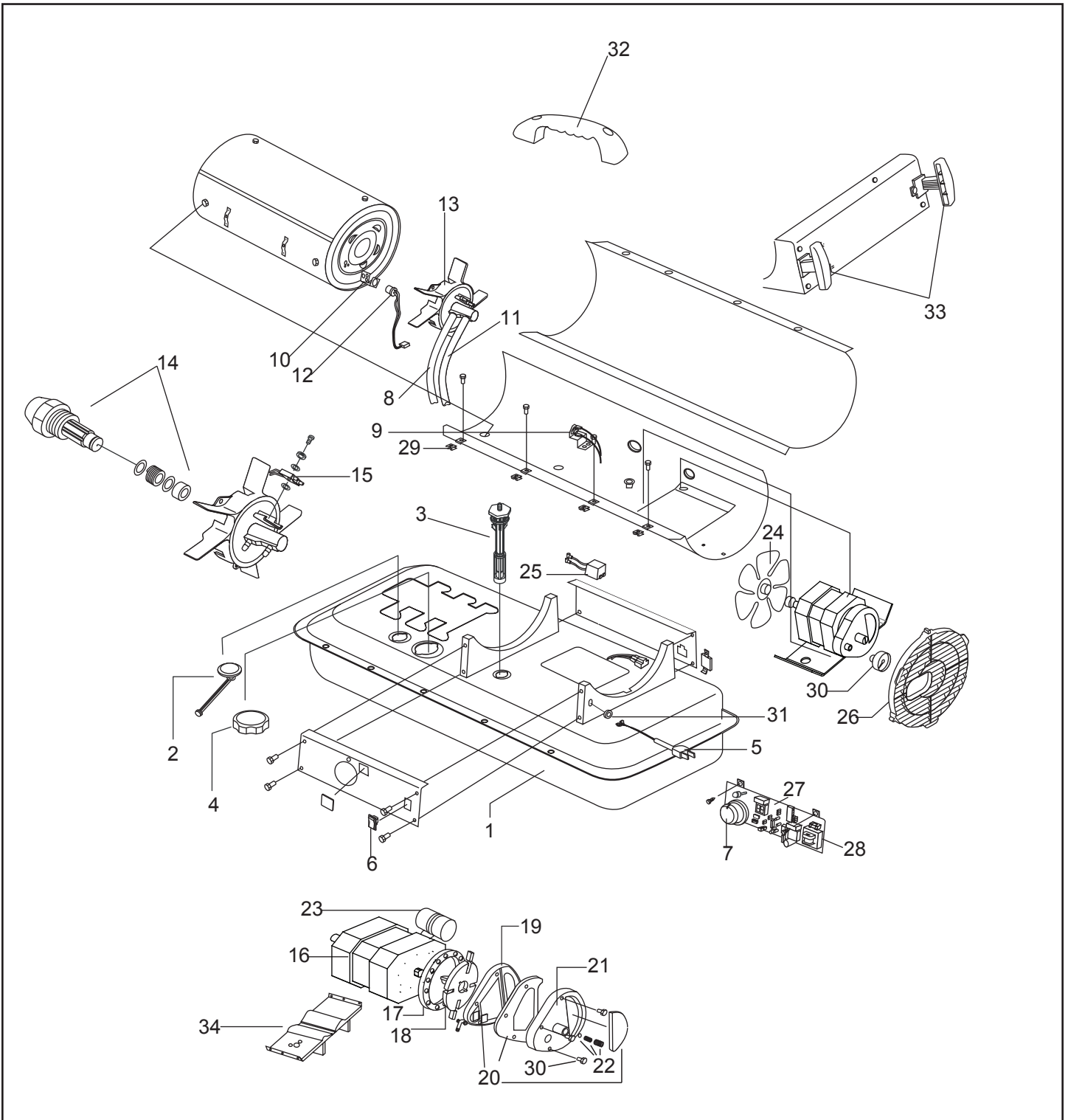


**NEVER LEAVE HEATER UNATTENDED WHILE CONNECTED TO A POWER SOURCE****PARTS LIST**

#	ST-125T-KFA-E / ST-175T-KFA-E / ST-215T-KFA-E
1	Fuel Tank
2	Drain Bolt
3	Fuel Gauge
4	Fuel Filter
5	Fuel Cap
6	Power Cord
7	Power Switch
8	Electronic Fuel Gauge
9	Thermostat Control Knob
10	Lower Shell
11	Air Line
12	Temperature Limit Switch
13	Combustion Chamber
14	Photocell Bracket
15	Fuel Line
16	Photocell
17	Burner Head
18	Nozzle Assembly
19	Spark Plug
20	Motor
21	Pump Body
22	End Pump Cover
23	Filter Kit (intake, output, and lint filters)
24	End Filter Cover
25	Bolt
26	Pump Adjustment Kit
27	Pump Cover Nipple
28	Capacitor
29	Fan Blade
30	Igniter
31	Right Side Cover
32	Left Side Cover
33	Fan Guard
34	Main PCB
35	5 Amp Fuse
36	Shell Clip
37	Upper Shell
38	Right "Y" Cover
39	Left "Y" Cover
40	"Y" Cover Clip
41	Air Pressure Gauge
42	Cord Bushing
43	Wheel Support Frame (Inside "Y" Covers)
44	Rear Handle
45	Wheel Support Frame (Front Leg)
46	Wheel Axle
47	Wheel
48	Wheel Nut
49	Wheel Bushing
50	Handle
51	Top Cover
52	Cord Wrap

**NEVER LEAVE HEATER UNATTENDED WHILE CONNECTED TO A POWER SOURCE**

**EXPLODED VIEW: ST-45-KFA-E / ST-70T-KFA-E**



**NEVER LEAVE HEATER UNATTENDED WHILE CONNECTED TO A POWER SOURCE**

**PARTS LIST**

#	ST-45-KFA-E / ST-70T-KFA-E
1	Fuel Tank
2	Fuel Gauge
3	Fuel Filter
4	Fuel Cap
5	Power Cord
6	Power Switch
7	Thermostat Control Knob
8	Air Line
9	Thermostat Limit Control
10	Photocell Bracket
11	Fuel Line
12	Photocell
13	Burner Head Assembly
14	Nozzle Kit
15	Spark Plug Kit
16	Motor
17	Pump Body
18	Rotor Kit
19	End Pump Cover
20	Filter Kit
21	End Filter Cover
22	Pump Adjustment Kit
23	Capacitor
24	Fan
25	Ignitor
26	Fan Guard
27	Main PCB Assembly
28	Fuse
29	Clip Nut
30	Air Pressure Gauge
31	Cord Bushing
32	Handle
33	Cord Wrap
34	Motor Supporter

# STANLEY®

## SERVICE

Belgique et Luxembourg België en Luxembourg	E. Walschaertstraat 14 2800 Mechelen Belgium	www.stanleyworks.be Enduser.be@SBDinc.com BE-NL= +32 15 47 37 65 BE-FR = +32 15 47 37 64 BE Fax: +32 15 47 37 100	United Kingdom	210 Bath Road; Slough, Berks SL1 3YD	www.stanleytools.co.uk Tel: +44 (0)1753 511234 Fax: +44 (0)1753 512365
Danmark	Roskildevej 22 2620 Albertslund	www.stanleyworks.dk kundeservice.dk@sbdinc.com Fax: 70224910	Hungary	Rotel Kft. 1163 Budapest,Thököly út 17.	www.stanleyworks.hu service@rotelkft.hu Tel: +36 1 404-0014 Fax:+36 1 403-2260
Deutschland	Richard Klinger Str. 11 65510 Idstein	www.stanleyworks.de info@sbdinc.de Tel: 06126-21-1 Fax: 06126-21-2770	Czech Republic	BAND SERVIS CZ s.r.o. K Pasekam 4440 760 01 Zlin, Czech Republic	www.stanleyworks.cz http://www.bandservis.cz Tel.: +420 577 008 550 Fax.: +420 577 008 559
Ελλάς	Ημερος Τόπος 2 - Χάνι Αδάμ Ασπρόπυργος -19300 -Αττική - Αττικής	www.stanley.gr Greece.Service@sbdinc.com Τηλ: +30 210 8985208 Φαξ: +30 210 5597598	Slovakia	BAND SERVIS s.r.o. Paulinska 22 917 01 Trnava, Slovakia	www.bandservis.sk Tel.: +421 335 511 063 Fax.: +421 335 512 624
España	Parque de Negocios "Mas Blau" Edificio Muntadas, c/Bergadà, 1, Of. A6 08820 El Prat de Llobregat (Barcelona)	www.stanleyworks.es respuesta.postventa@sbdinc.com Tel: 934 797 400 Fax: 934 797 419	Poland	Erpatech ul. Bakaliowa 26 05-080 Mościska	www.stanleyworks.pl Tel.: +48 22 431 05 00 Fax.: +48 22 468 87 35
France	5, allée des hêtres BP 30084, 69579 Limonest Cedex	www.stanleyoutillage.fr scufr@sbdinc.com Tel: 04 72 20 39 77 Fax: 04 72 20 39 00	Slovenia	G-M&M d.o.o. Brvace 11 1290 Grosuplje Slovenija	www.g-mm.si gmm@g-mm.si T: +386 01 78 66 500 F: +386 01 78 63 023
Schweiz Suisse Swizzera	In der Luberzen 42 8902 Urdorf	www.stanleyworks.ch verkauf.ch.sbd@sbdinc.com Tel: 044 - 755 60 70 Fax: 044 - 730 70 67	Cyprus	IOANNOU J. 4A Ath.Diakou street 1046- Nicosia -Cyprus	ioannou.ioannis@cytanet.com.cy Tel : +357 22344302 Fax : +357 22348098
Ireland	210 Bath Road; Slough, Berks SL1 3YD UK	www.stanleytools.co.uk Tel: +44 (0)1753 511234 Fax: +44 (0)1753 512365	Bosnia-Herzegovina	G-M&M d.o.o. Brvace 11 1290 Grosuplje Slovenija	www.g-mm.si gmm@g-mm.si T: +386 01 78 66 500 F: +386 01 78 63 023
Italia	Energypark-Building 03 sud, Via Energy Park 6 20871 Vimercate (MB)	www.stanley.it Tel. 039-9590-200 Fax 039-9590-313	Bulgaria	TASHEV-GALVING LTD 68 KLIMENT OHRIDSKI BLVD. 1756 Sofia, Bulgaria	www.tashev-galving.com T: +359 2 700 45 45 4 F: +359 (2) 439 21 12
Nederlands	Stanley Black & Decker Netherlands B.V. Postbus 83 6120 AD Born	www.stanleyworks.nl Enduser.NL@SBDinc.com Tel : +31 164 28 30 63 NL Fax: +31 164 28 32 00	Croatia	G-M&M d.o.o. Brvace 11 1290 Grosuplje Slovenija	www.g-mm.si gmm@g-mm.si T: +386 01 78 66 500 F: +386 01 78 63 023
Norge	Postboks 4613, Nydalen 0405 Oslo	www.stanleyworks.no kundeservice.no@sbdinc.com Fax: 45 25 08 00	Estonia	AS Tallmac Mustame tee 44, EE-10621 Tallinn	www.tallmac.ee/est T: +372 6562999 F: +372 6562855
Österreich	Oberlaaerstrasse 248 A-1230 Wien	www.stanleyworks.de service.austria@sbdinc.com Tel: 01 - 66116 - 0 Fax: 01 - 66116 - 14	Latvia	LIC GOTUS SIA Ulbrokas Str. LT - 1021 Riga	www.licgotus.lv T: +371 67556949 F: +371 67555140
Portugal	Quinta da Fonte - Edifício Q55 D. Diniz Rua dos Malhões, 2 e 2A - Piso 2 Esquerdo 2770 - 071 Paço de Arcos	www.stanleyworks.pt resposta.posvenda@sbdinc.com Tel: 214 66 75 00 Fax: 214 66 75 75	Lithuania	UAB ELREMTA OU Neries kr. 16E LT - 48402 Kaunas	info@elremta.lt T: +370-685-29035 F: +370-37-406540
Suomi	PL 47 00521 Helsinki	www.stanleyworks.fi customerservice.fi@sbdinc.com Puh: 010 400 4333	Malta	Energypark-Building 03 sud, Via Energy Park 6 20871 Vimercate (MB)	www.stanley.it Tel. 039-9590-200 Fax 039-9590-313
Sverige	Box 94 431 22 Mölndal	www.stanleyworks.se kundservice.se@sbdinc.com Fax: 31 68 60 08	Romania	Stanley Black & Decker Phoenicia Business Center Strada Turturelelor, nr 11A, Etaj 6, Modul 15, Sector 3 Bucuresti	www.stanleyworks.ro T: +4021.320.61.04/05 F: +4037.225.36.84
			Serbia	G-M&M d.o.o. Brvace 11 1290 Grosuplje Slovenija	www.g-mm.si gmm@g-mm.si T: +386 01 78 66 500 F: +386 01 78 63 023

# STANLEY®

Manufactured by:  
Pinnacle Climate Technologies, Inc.  
Sauk Rapids, MN 56379 USA



Obelis S.A  
Registered Address:  
Bd. Général Wahis, 53, 1030 Brussels, Belgium

© 2020 Stanley Black & Decker, Inc.