

Technical Data Sheet

WEISS™

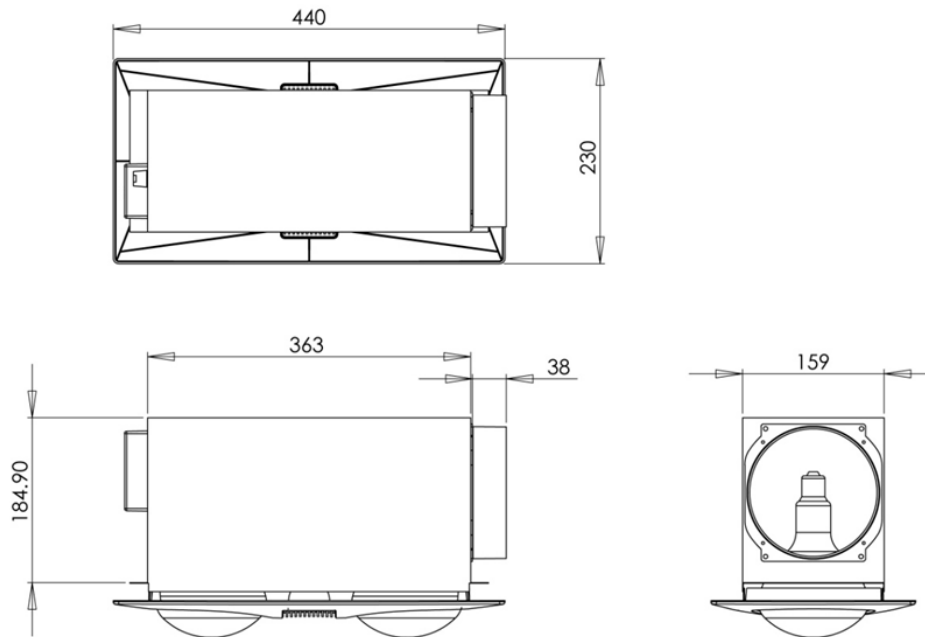
FH701H

ClearGlow 2 in 1

White Fascia

Dimensions

Cut-out size for main body 161mmx364mm



Specifications

Weight	2.7Kg
Colour of front fascia	White
Housing material	Sheet Steel
Fascia material	Poly Carb

Approval

Test standards	AS/NZS 603350.2.80: 2004 Amdts 1 and 1:2011 Amdt.1
----------------	--

Features

- Easy to install
- 2 x 275 watt heat globes
- 1 x 50 watt halogen light
- Rugged steel body
- 2 way wall switch
- All parts are included
- Allows operator to control individual functions with ease
- 3 year extended warranty

Technical Data Sheet

Product Use

The FH701H is used for lighting

Typical applications:

- Bathrooms
- Commercial applications to shared outlets

Environmental Conditions

Operation	to IEC 721-3-3
Climatic conditions	class 3K5
Temperature	0...+50°C
Humidity	<95% r.h.

Standards

Test standards	AS/NZS 603350.2.80: 2004 Amdts 1 and 1:2011 Amdt.1 5772
Test Report no EMC Compliance	This is a Level One product that has a very low risk of causing EMC Interference

General

Two 275 watt heat globes provide instant heat and a 50 watt halogen bulb for illumination

Ceiling Insulation clearance 150mm from steel body on all sides, no insulation to cover body

Ordering

When ordering please give name and type,	
Reference	FH701H
Barcode	942000490270-3

Technical Data

Power Supply	230 VAC
Power consumption	max. 2.892 Amps
Supply Line fusing	max. 10A
Connection terminals	screw clamp terminals
For solid wires	2 x 1.5mm ²
Motor	N/A
Total wattage	600Watts