

Description

ROBINHOOD COMPACT CANOPY RANGEHOOD 60CM
COMCAN60W (White); COMCAN60X (Stainless Steel)



COMCAN60W

COMCAN60X

Key Features

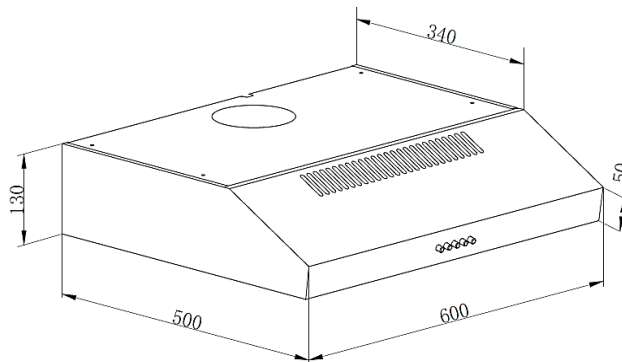
Max Motor Performance
 400 m³/hr

Power Levels
 3

Control Type
 Push Buttons

Lighting
 2 x 2W LED

Venting Type
 To be ducted from rear, top or recirculated



Dated: 28/04/2022

Specifications

Voltage	220-240V
Frequency	50~60HZ
Motor Type/ Power	Shade pole motor/ 2x100W
Max Motor Performance	400 m ³ /hr
Lighting	2*2W round LED
Total Power	204W
Controls	Push buttons
Speed Levels	3
Filters	2 x 5 layers Aluminum filters
Charcoal Filters	Optional, Item code ATCF110
No Return Valve	Included
Ducting Outlet Dimension	Ø125mm
Power Cord Length	1m
Product Dimensions (WxDxH)	600 x 500 x 130mm
Packaging Dimensions (WxDxH)	650 x 555 x 180mm
Gross/ Net Weight	7.5/6.5 Kg

Air Flow & Noise Level*		
Power Level	Air Flow (m ³ /hr) (IEC 61591)	Noise Level (dB) (IEC 60704-2-13)
1	200	50
2	250	54
3	330	60

*Air Flow & Noise Level testing is conducted in a controlled lab environment as per the IEC standards.