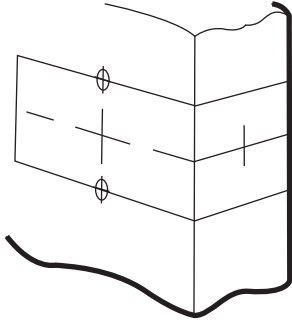
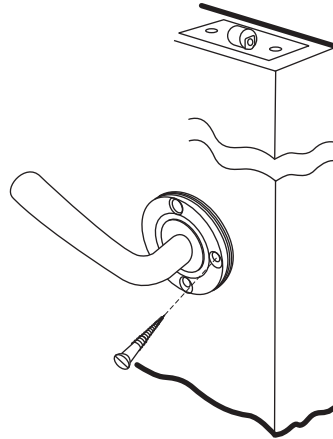


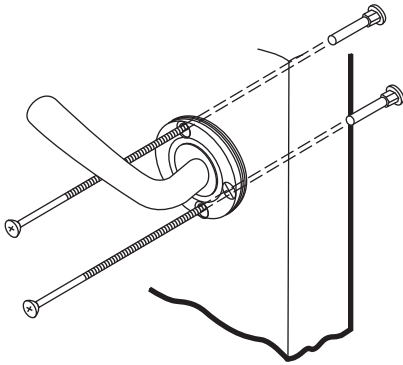
**1** Mark and drill door.



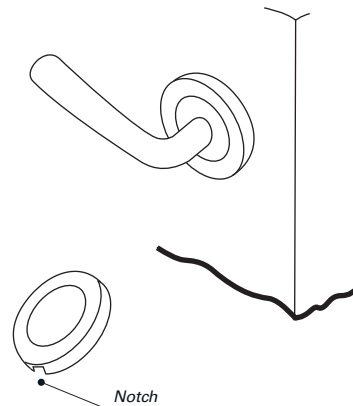
**2** Drill and fit 1x wood screw for alignment only.



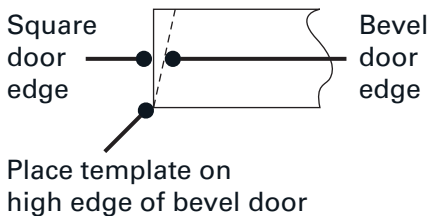
**3** Fit through bolt fixing screws.



**4** Fit cover plates over handles, ensure notch is at the bottom.



*With this fixed dummy set we recomend using our roller bolt latch product code RB601 available in satin chrome plated, polished brass, chrome plated or antique brass plated.*



Mark centre of door

Drill 20mm hole at centre of the door edge

For 70mm backset fold here

For 60mm backset fold here

6mm holes x 2

42mm