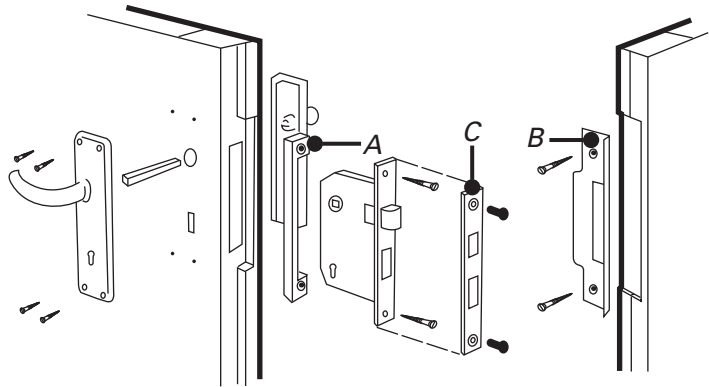


Rebate Kit, (3 Lever and 5 Lever, Euro profile Mortice Locks)

Rebate kit instructions suitable for: S717, S795 and S735 Mortice Locks

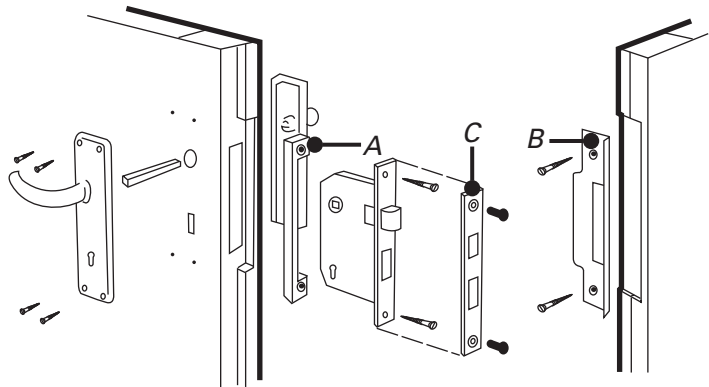
- 1 Cut door to enable the mortice lock to sit flush with the outer edge of the rebate in the door
*For the 5 lever or Euro profile locks remove outer forend to expose main fixing screw holes (Marked C).
- 2 Fit part A to enable lock to be fitted flush with outer edge of the rebate. *For the 5 lever or Euro profile locks fit enclosed plastic packers under lock and fit box sectioned cover plate over the forend of the lock.
- 3 Position and fit rebate striker to door jam to suit mortice lock (Marked B).



Rebate Kit, (3 Lever and 5 Lever, Euro profile Mortice Locks)

Rebate kit instructions suitable for: S717, S795 and S735 Mortice Locks

- 1 Cut door to enable the mortice lock to sit flush with the outer edge of the rebate in the door
*For the 5 lever or Euro profile locks remove outer forend to expose main fixing screw holes (Marked C).
- 2 Fit part A to enable lock to be fitted flush with outer edge of the rebate. *For the 5 lever or Euro profile locks fit enclosed plastic packers under lock and fit box sectioned cover plate over the forend of the lock.
- 3 Position and fit rebate striker to door jam to suit mortice lock (Marked B).



Rebate Kit, (3 Lever and 5 Lever, Euro profile Mortice Locks)

Rebate kit instructions suitable for: S717, S795 and S735 Mortice Locks

- 1 Cut door to enable the mortice lock to sit flush with the outer edge of the rebate in the door
*For the 5 lever or Euro profile locks remove outer forend to expose main fixing screw holes (Marked C).
- 2 Fit part A to enable lock to be fitted flush with outer edge of the rebate. *For the 5 lever or Euro profile locks fit enclosed plastic packers under lock and fit box sectioned cover plate over the forend of the lock.
- 3 Position and fit rebate striker to door jam to suit mortice lock (Marked B).

