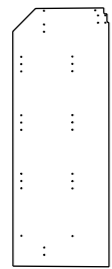


END PACK EXTENSION

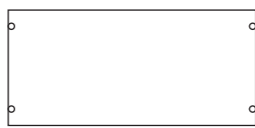
Assembly Instructions

Art. 730.83.217

Wardrobe Panels included.



END PANEL (x1)

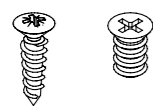


TOP SHELF (x1)

HÄFELE Hardware included.

*SUSPENSION RAIL MUST BE PURCHASED

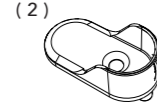
SCREWS



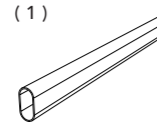
15mm Cabinet screw (8)

Suspension Bracket Screw (4)

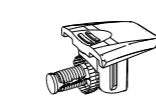
CR BRACKET (2)



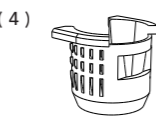
CLOTHES RAIL (1)



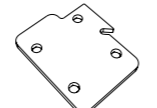
CONNECTOR (4)



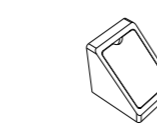
CONNECTOR SLEEVE (4)



SUSPENSION BRACKET (2)



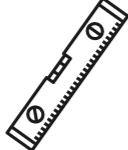
CONNECTOR BRACKET (3)



Required Tools.



SCREWDRIVER



LEVEL



LADDER



TAPE MEASURE



PENCIL

Handy Note: Please read the instructions carefully before you start and make sure to identify the parts you need for each step. When assembling it is best to do on a soft surface to prevent damage. **Your Connex 15 Year Home Use Warranty will not apply to incorrectly assembled and/or installed product. Follow the advice of your selected wall fixings (sold separately) to ensure suspension rail can support loaded wardrobes.**

Manufactured in New Zealand for: Mitre 10 New Zealand Limited.



Please Recycle this packaging



Proudly Made in New Zealand

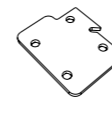


15 YEAR Home Use Warranty

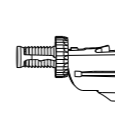


Quick & Easy Installation

1. Fixing the Connectors and CR Bracket.



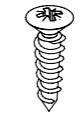
x1



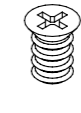
x2



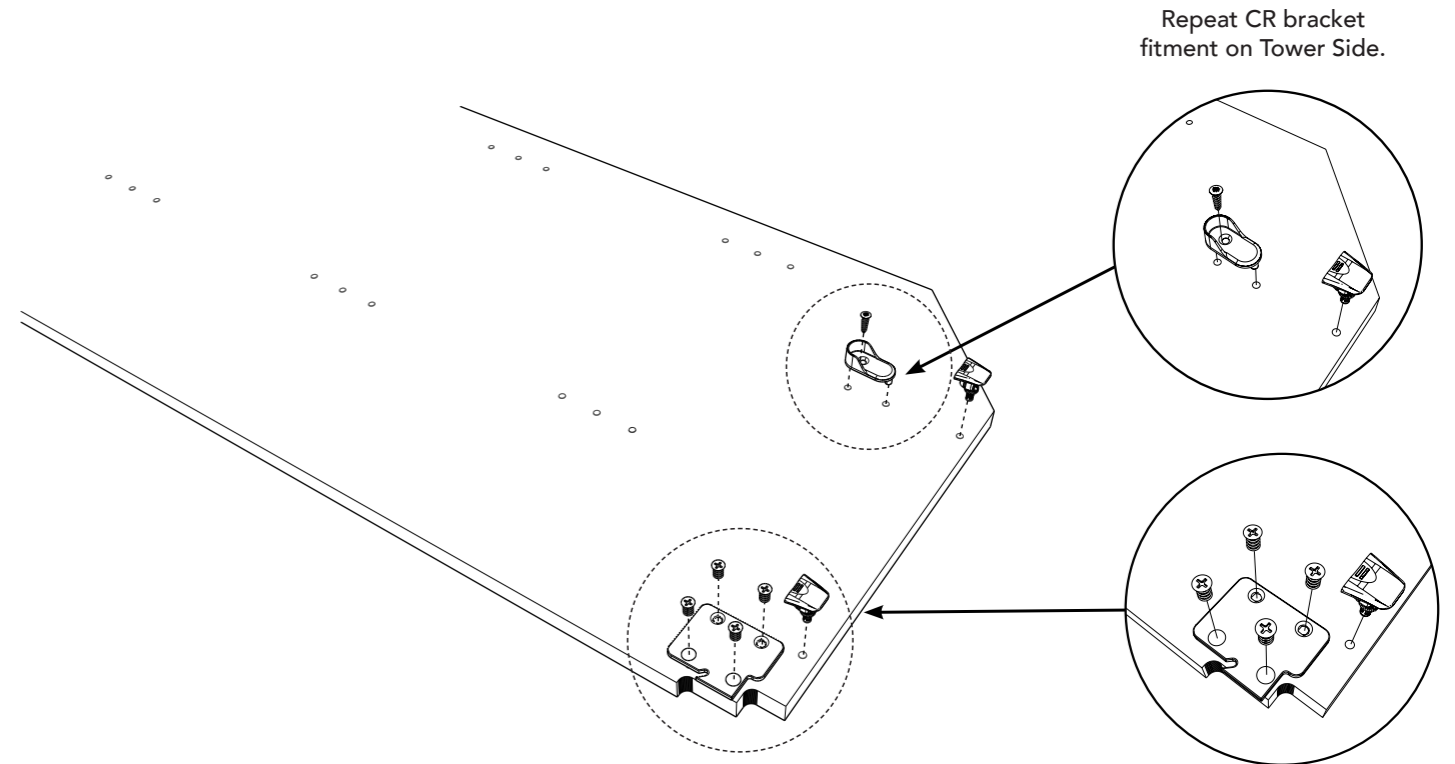
x2



x2

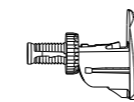


x4

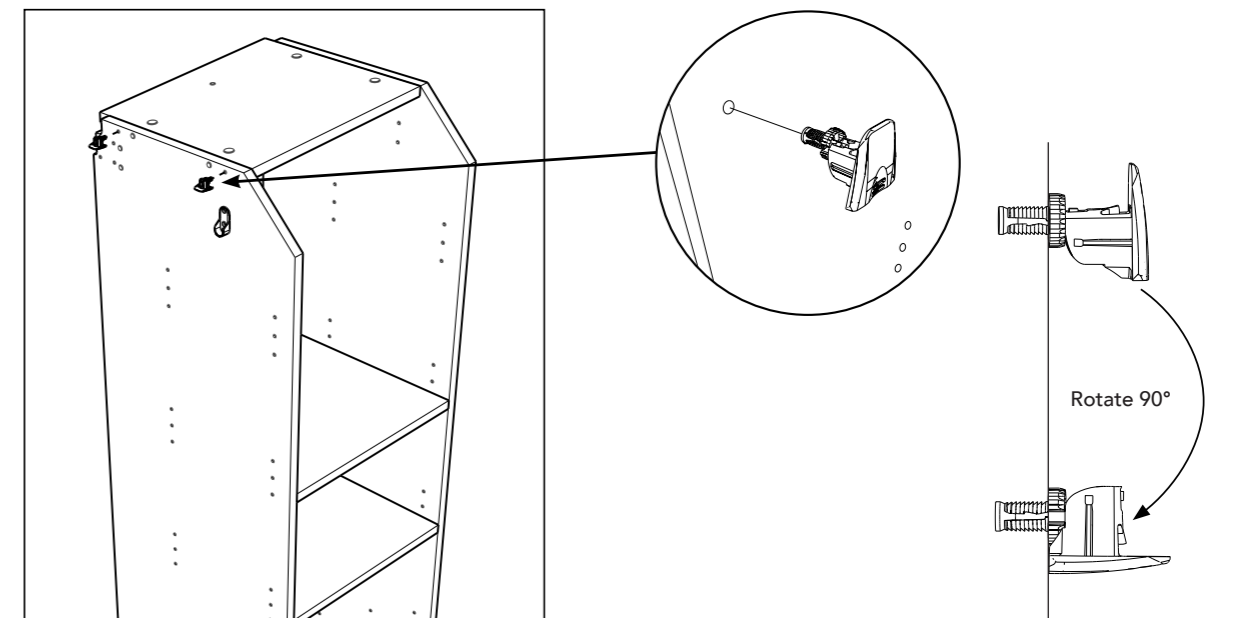


Repeat CR bracket fitment on Tower Side.

2. Inserting the shelf connector.



x2



Rotate 90°

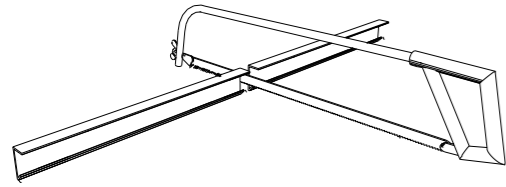
• Insert Connector at desired height

Note: Tower is sold separately

Rotate 90 Degrees to secure Connector in place.

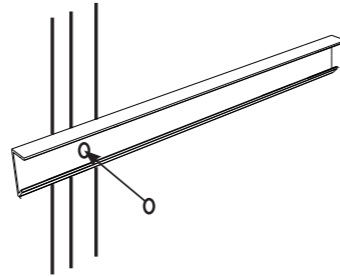
3a. Fix the Suspension Rail.

1. Measure your space to determine required length, then cut the Suspension Rail to size.

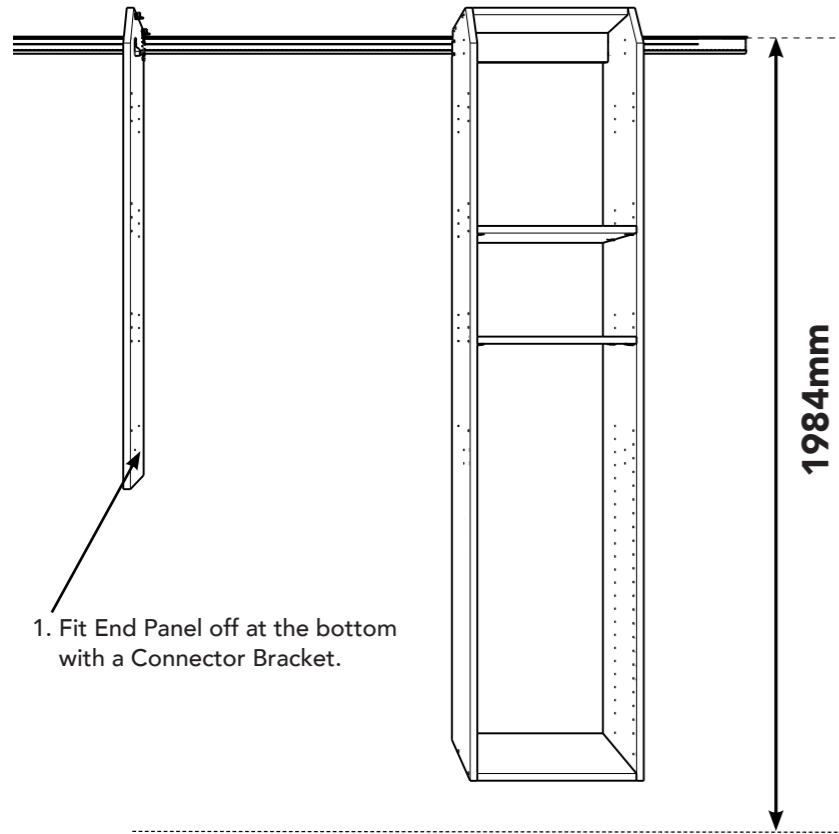


Note: SuspensionRail is sold separately

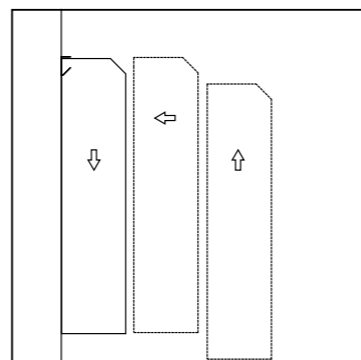
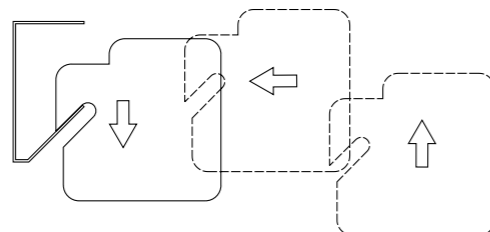
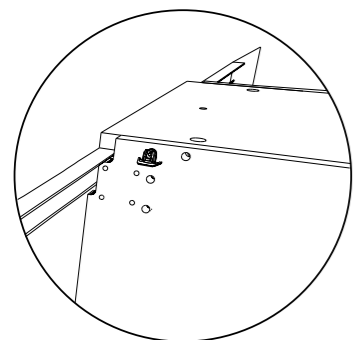
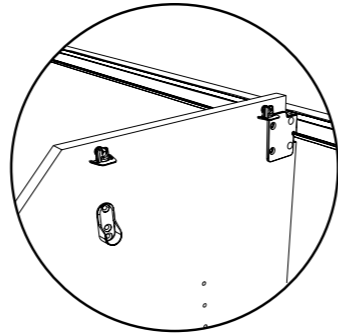
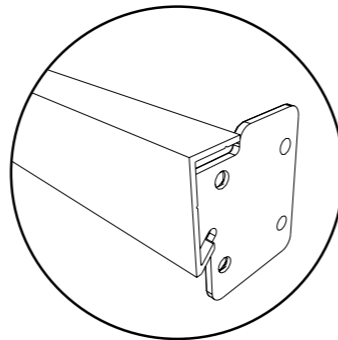
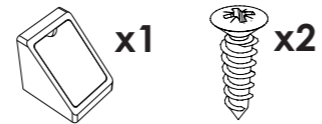
2. With a pencil and a level, mark a line on the wall at the height needed. Locate wall studs and mark on line. Drill screw hole through suspension rail/s at wall studs. Screw fix the Rail Panel.



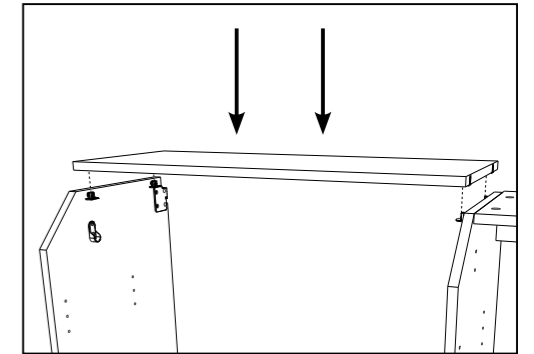
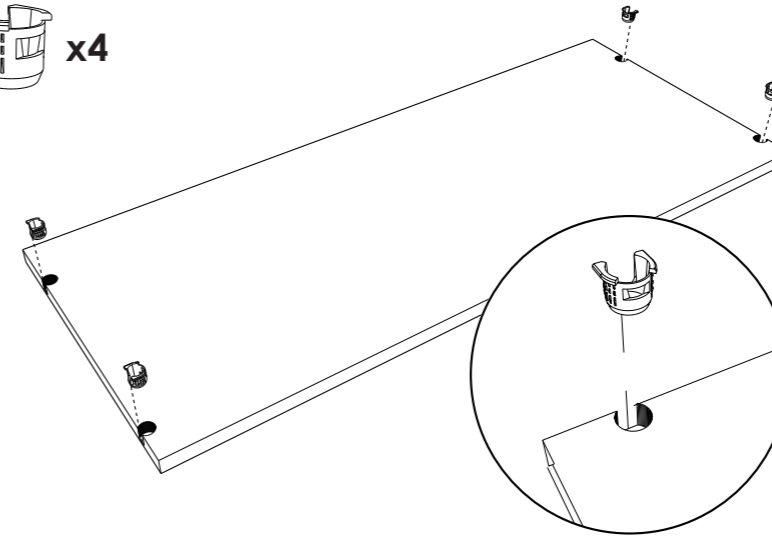
3b. Placing End Panel onto Suspension Rail.



1. Fit End Panel off at the bottom with a Connector Bracket.

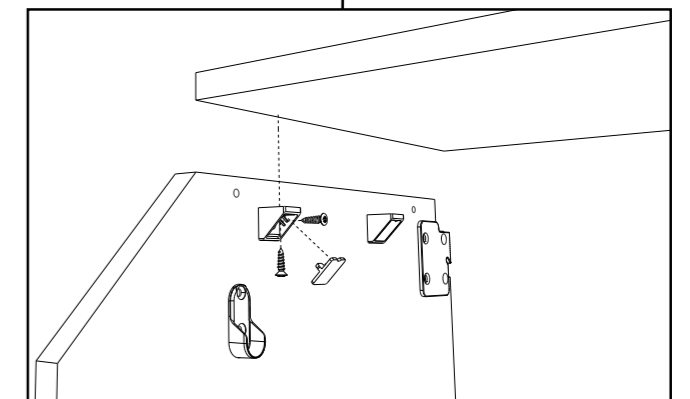
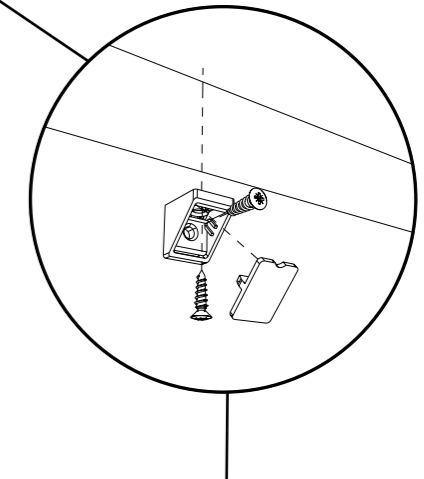
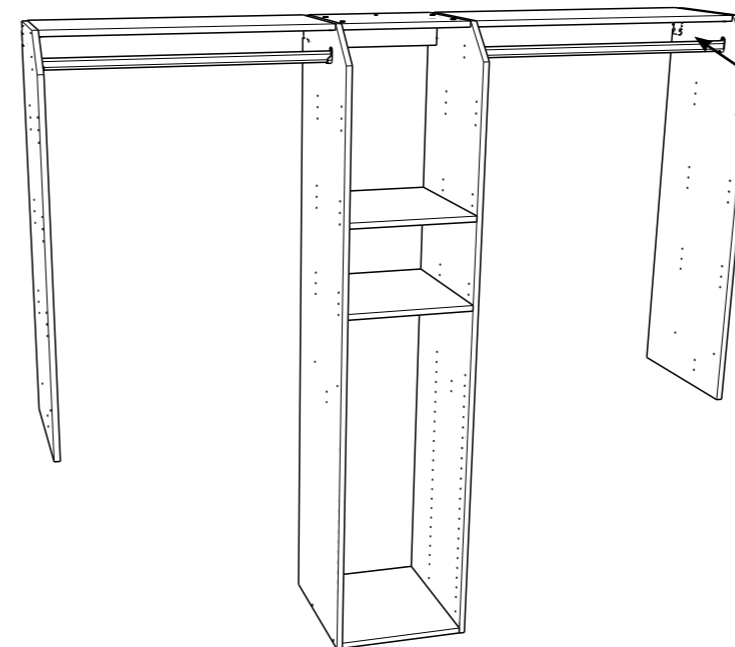
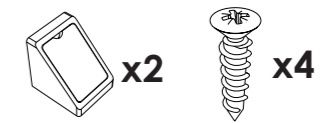


4. Insert the connector Sleeve.



5. Trim top panel to suit wall adjustment.

If required, trim the Top Panels and Clothes Rail to suit your wardrobe space. Use 'L' Connector Brackets to secure Top Shelf Panels to End Panels.



* Repeat for second end panel, if purchased separately.