

## DRAWER KITS

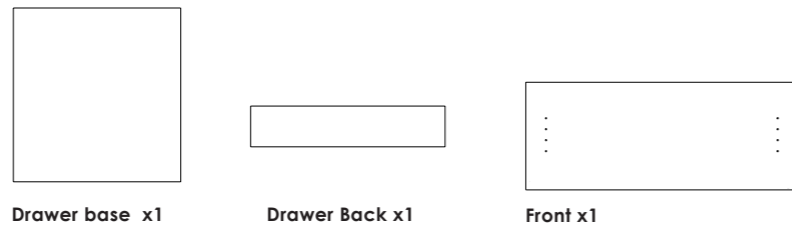
### Assembly Instructions

Suitable for both 400mm and 600mm Towers

730.83.220

Cabinet Panels included.

\*Handles are sold separately

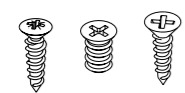


**HÄFELE**  
Hardware included.

Legend

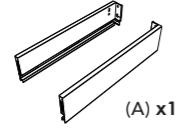
A. = Slim Drawer  
B. = Tall Drawer

SCREWS

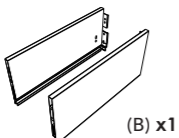


15mm screw (A, B x18)  
10.5mm screw (A, B x4)  
Front screws (A x4, B x8)

DRAWER SIDES

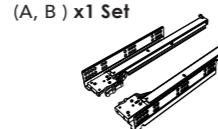


(A) x1 Set

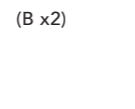


(B) x1 Set

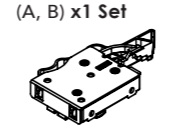
DRAWER RUNNERS (A, B) x1 Set



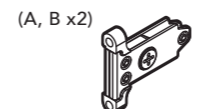
L BRACKET (B x2)



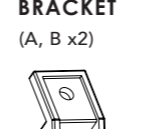
DRAWER CLIPS (A, B) x1 Set



DRAWER BRACKET (A, B x2)



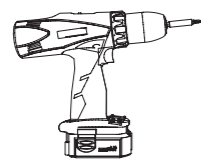
BACK FIXING BRACKET (A, B x2)



\*NOT REQUIRED\*

Required Tools.

POWER DRILL



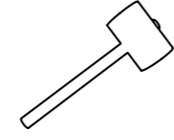
NO.2 POZI DRIVE DRILL BIT



5MM DRILL BIT



MALLET



SCREWDRIVER

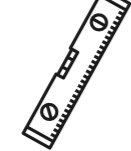


Handy Tools.

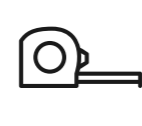
CLAMP



LEVEL



TAPE MEASURE



PENCIL



**Handy Note:** Please read the instructions carefully before you start and make sure to identify the parts you need for each step. When assembling it is best to do on a soft surface to prevent damage. **Your Connex 15 Year Home Use Warranty will not apply to incorrectly assembled and/or installed product.**



Please Recycle this packaging



Proudly Made in New Zealand



15 YEAR Home Use Warranty

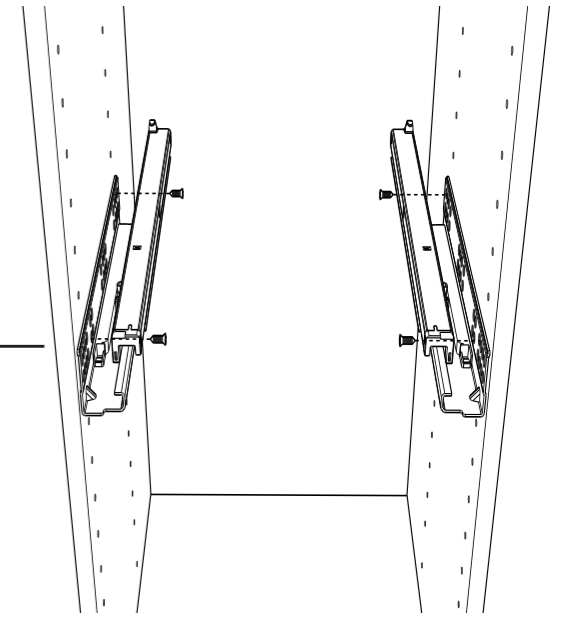
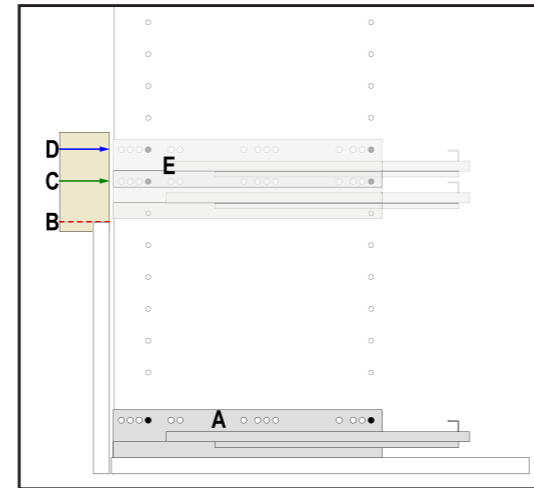


Quick & Easy Installation

Manufactured in New Zealand for: Mitre 10 New Zealand Limited.

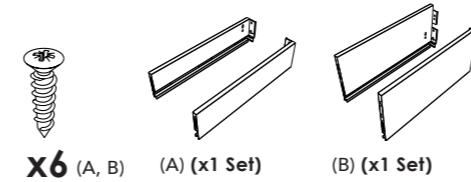
## 1. Install the Runners at the correct spacing. x4

- 1.1 Install bottom drawer runners on the lowest set of holes 'A', or at any desired height. Fix Drawer runners with screws. Follow steps 2-7 to assemble drawer and install drawer front.
- 1.2 Use the bottom drawer front and drawer installation template to determine line 'B'.
- 1.3 For Handled Drawers use holes located for drawer runner 'C'. For Handleless use the holes located at runner 'D'.
- 1.4 Start installing the runners in the holes indicated above as 'E'.

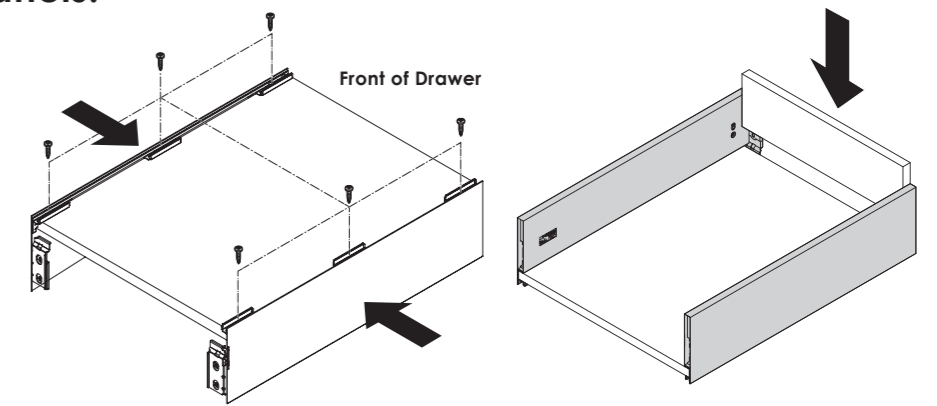


**Note:** Use the template provided to determine installation of subsequent drawers following steps.

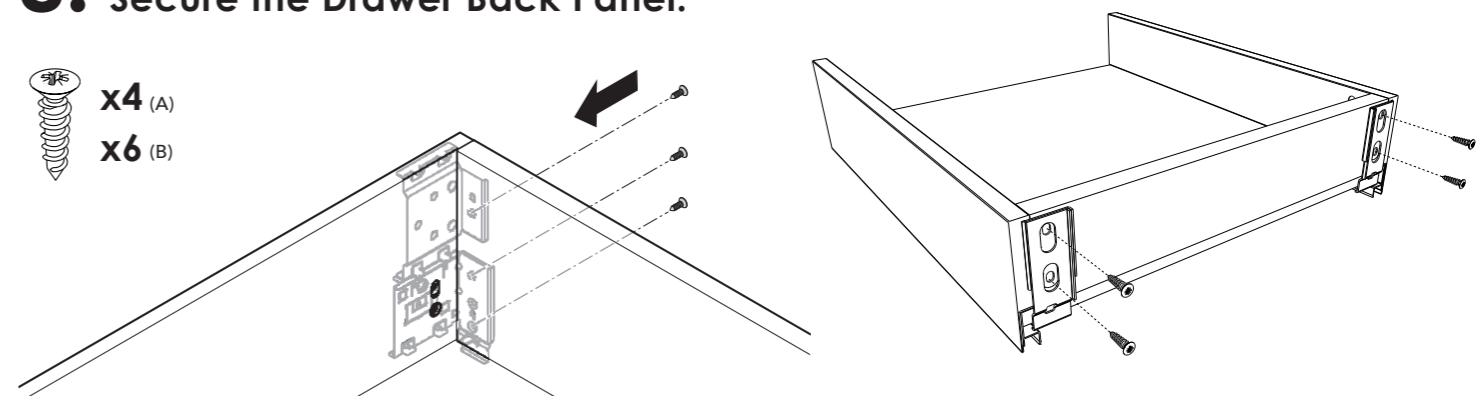
## 2. Assemble the Drawer Panels.



Slip drawer sides onto drawer base panel. Secure with screws. Then slot drawer back panel into back of drawer sides. Ensure the 'pricker holes' are on the underside and at the front.

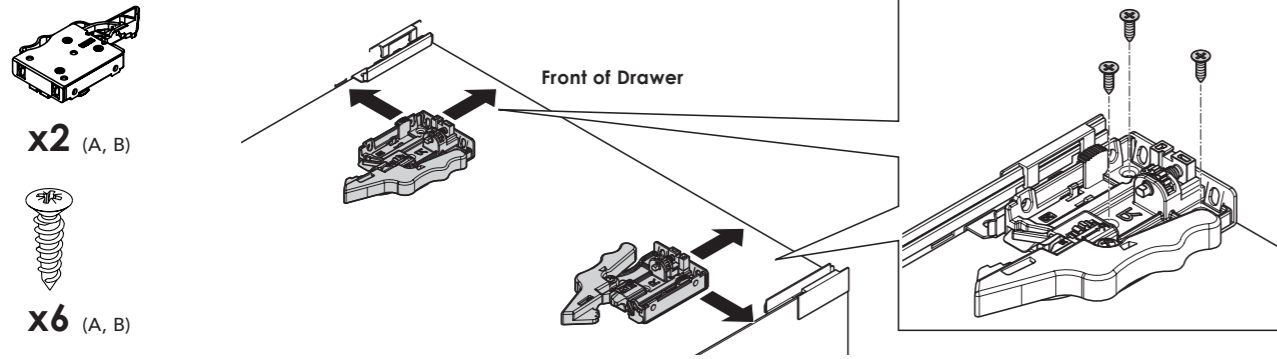


## 3. Secure the Drawer Back Panel.



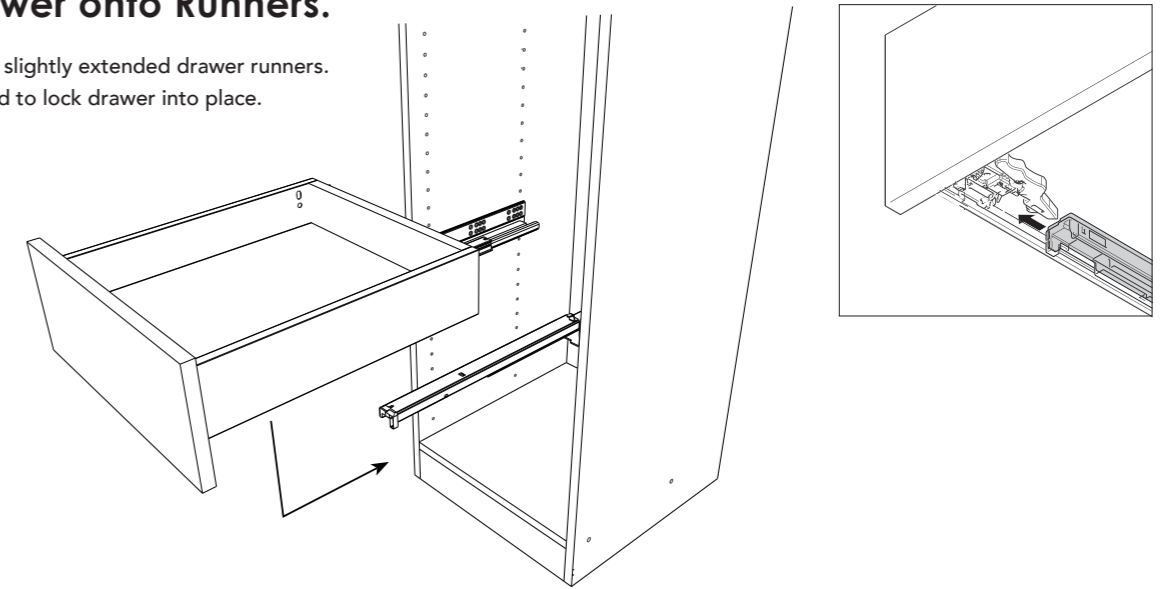
## 4. Fix the Drawer Clips.

Flip drawer over. Place drawer clips in corners of drawer base panel, using pre-drilled prick holes as a guide and secure with screws.

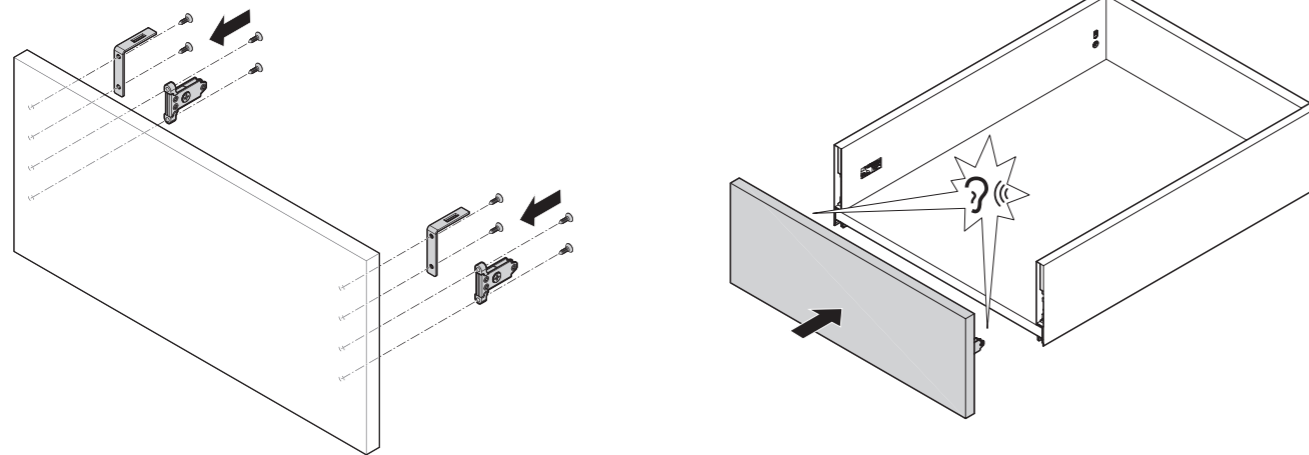


## 6. Insert Drawer onto Runners.

Place drawer onto slightly extended drawer runners. Push drawer closed to lock drawer into place.



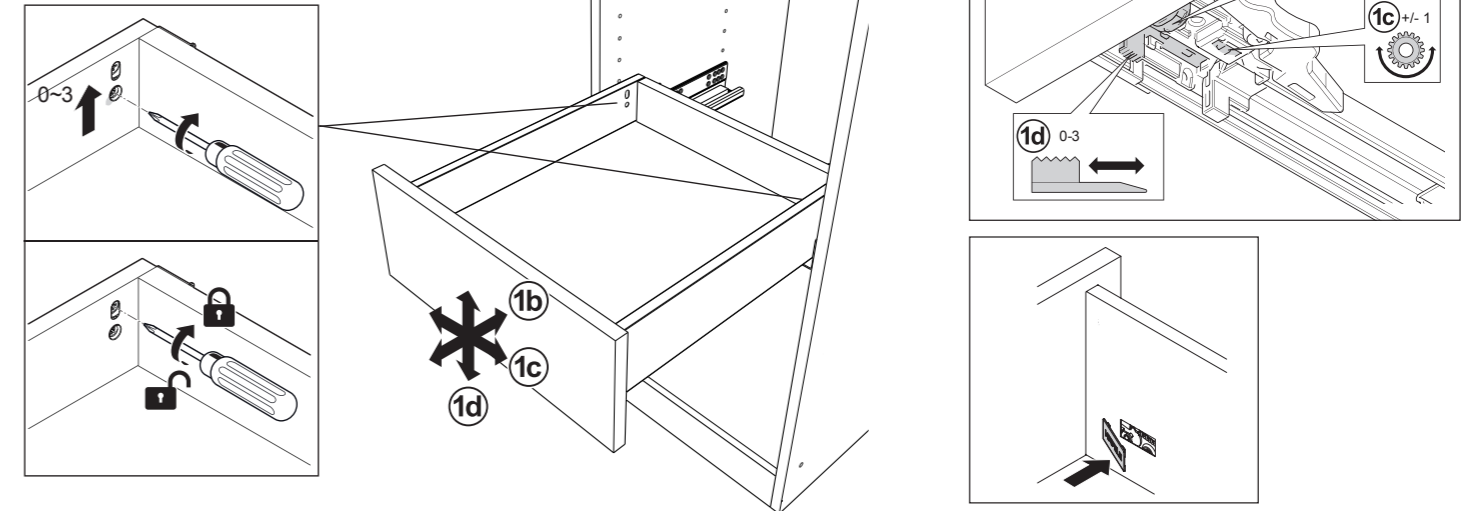
## 5. Fix the Drawer Front.



**5.1** On back of drawer front, use pre-drilled prick holes as a guide to place L brackets and drawer brackets (Diagram below shows correct guide holes to use). Fix L brackets and drawer brackets with screws.  
**Note:** Slim drawer does not require L brackets.

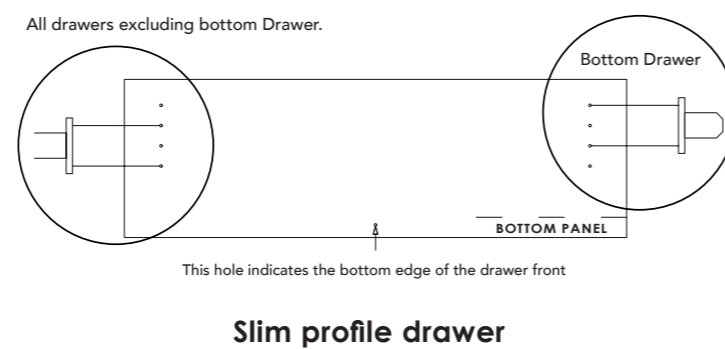
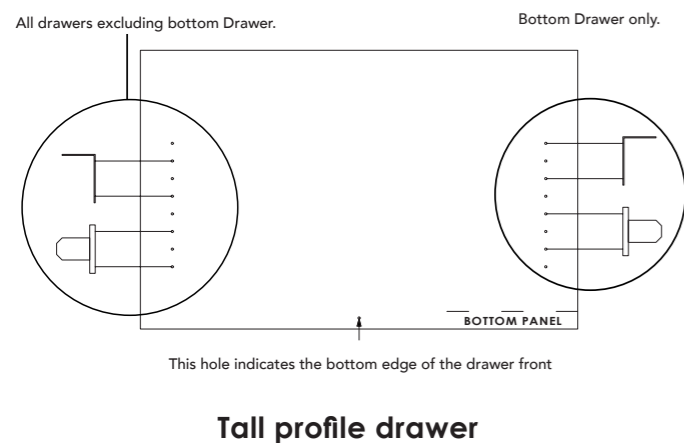
**5.2** Once brackets are fitted, clip drawer front panel into drawer sides. It will click when correctly placed.

## 7. Drawer Adjustments.



**7.1** Adjust drawer as needed. Adjustments screws are located near back panel of drawer on inside of drawer sides, and underneath drawer on drawer clips.

**7.2** Cover opening in drawer side with plastic cover.



### Fitting Handles\*

**7.3** After adjustments are made, determine best handle placement and fit handles to suit handle style. (\*Not required for handleless drawers).  
**Handy tip:** Make a template on card to ensure consistent installation on all drawer fronts.

### Drawer Removal

