

DRAWING NO / PRODUCT CODE  
**Lifestyle Gate - Oakfield Gate**

DESCRIPTION

**Notes:**

Name:

Date:

Signature:

SIZE <b>A4</b>	DATE ISSUED <b>2023-07-13</b>	REV.	DO NOT SCALE DRAWING
-------------------	----------------------------------	------	----------------------

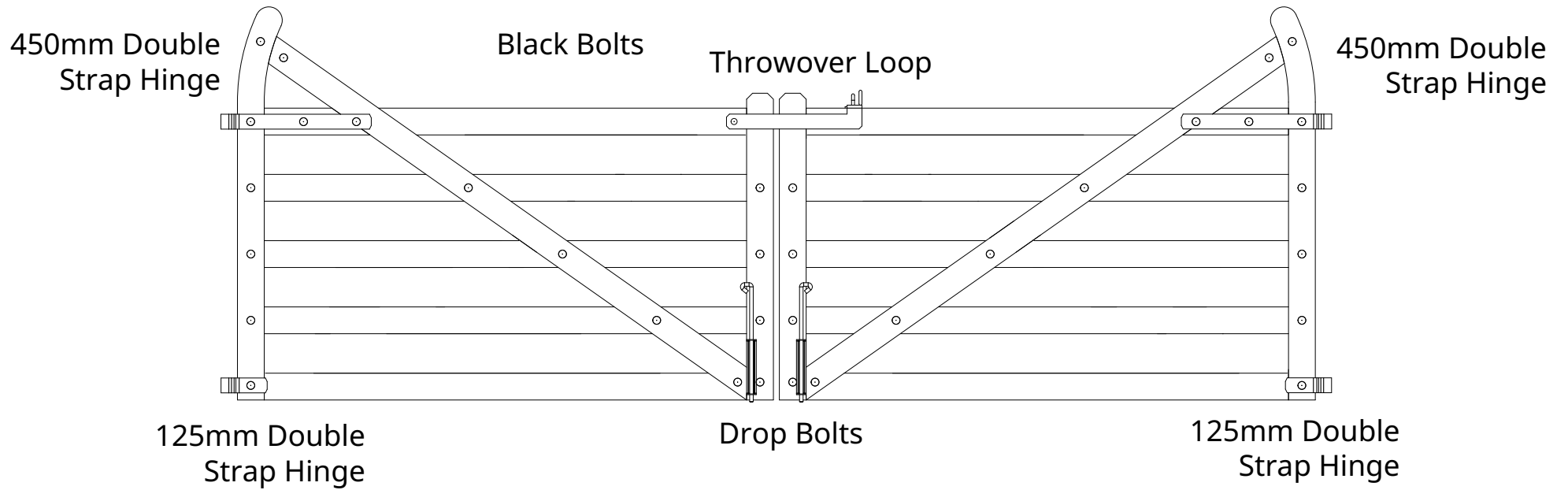
SIZE

SCALE <b>1:16</b>	SHEET <b>3 of 6</b>	WEIGHT
----------------------	------------------------	--------

UNLESS OTHERWISE SPECIFIED DIMENSIONS ARE IN MILLIMETERS  
 GATES ARE SHOWN LOOKING FROM THE OUTSIDE/STREET-SIDE (UNLESS SPECIFIED)

DRAWN BY **KEVIN AGUAS**

LAST CHANGED BY **KEVIN AGUAS**



DRAWING NO / PRODUCT CODE  
**Lifestyle Gate - Oakfield  
 DSWG**

DESCRIPTION

**Notes:**

Name:

Date:

Signature:

SIZE <b>A4</b>	DATE ISSUED <b>2023-07-13</b>	REV.	DO NOT SCALE DRAWING
-------------------	----------------------------------	------	-------------------------

SCALE <b>1:16</b>	SHEET <b>4 of 6</b>	WEIGHT
----------------------	------------------------	--------

UNLESS OTHERWISE SPECIFIED DIMENSIONS ARE IN MILLIMETERS  
 GATES ARE SHOWN LOOKING FROM THE OUTSIDE/STREET-SIDE (UNLESS SPECIFIED)

DRAWN BY **KEVIN AGUAS**

LAST CHANGED BY **KEVIN AGUAS**