

Technical Data Sheet

WEISS™

ADJVENT-150

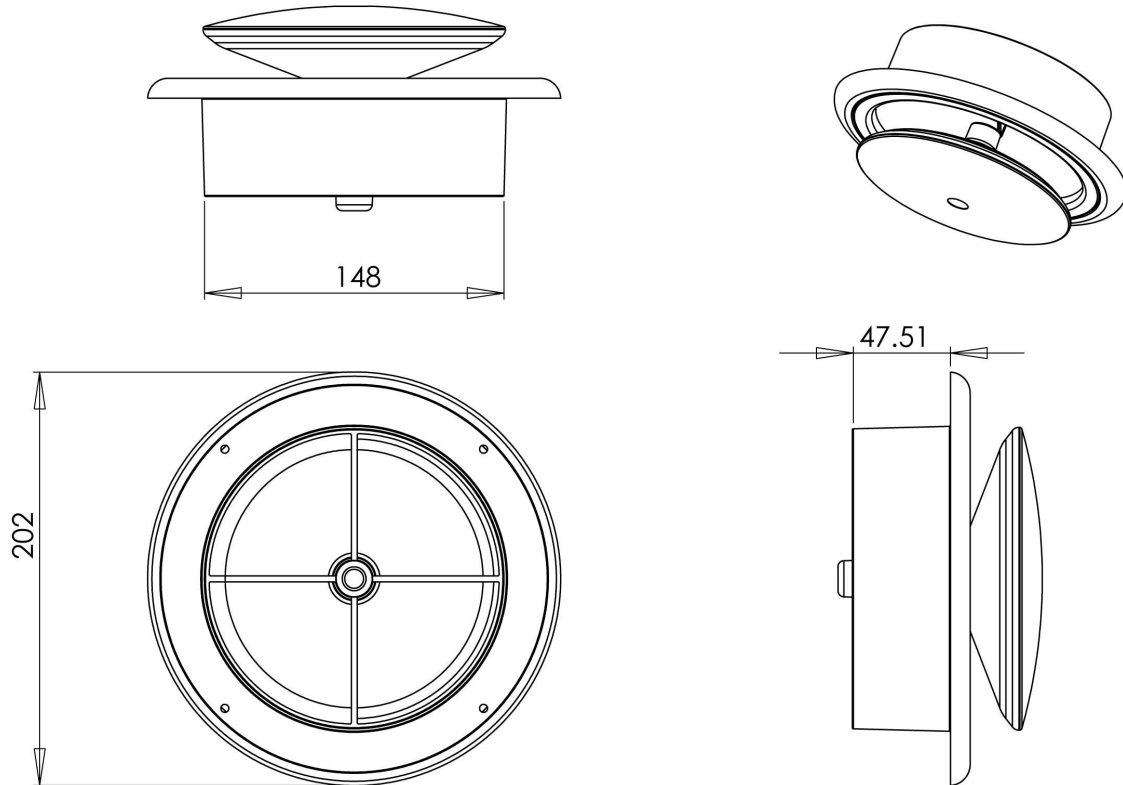
150mm Adjustable Inlet/Outlet Vent

Bag

Dimensions

Cut-out size

155mm



General

Plastic inlet/outlet vent with 150mm boss

Approval

N/A

Features

- Easy to install
- 3 year warranty

Technical Data Sheet

Product Use

Typical applications:

- Inlet/Outlet Vent

Environmental Conditions

Climatic conditions	class 3K5
Temperature	0...+50°C
Humidity	<95% r.h.

Standards

Test standards	N/A
----------------	-----

Specifications

N/A

Ordering

When ordering please give name and type,

Reference	ADJVENT-150
-----------	-------------

Packaging	Bag
-----------	-----

Technical Data

Material	White ABS/PP
----------	--------------