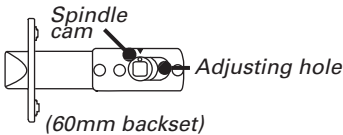


Before installing this product please check door thickness. This lever set is suitable for doors 35 to 45mm thick.

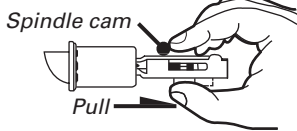
1 Deciding on backset

Select the correct backset required for this lever set. (Backset is the distance between the centre of the 54mm hole (2-1/8") and the edge of the door, (these are either 60 or 70mm). Normally 60mm backset is used with lever furniture and 70mm backset is used for knob furniture.

For 60mm backset



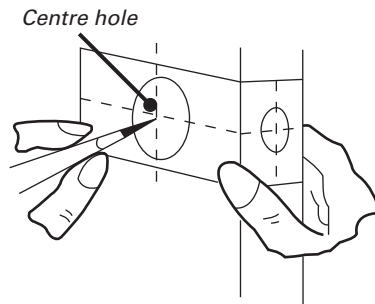
For 70mm backset



Pull spindle cam all the way to right edge of adjusting hole.

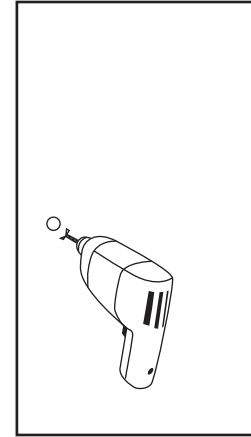
2 Mark position on door

Hold template over edge using either 60mm or 70mm backset. Mark centre of door edge and centre hole on door face by using the drilling template enclosed.



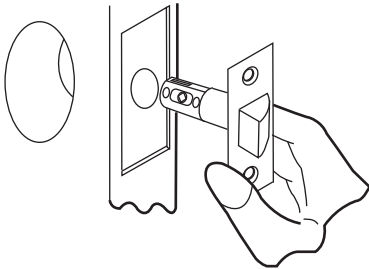
3 Drill holes into door

With the determined points as centres on the door, drill 54mm (2-1/8") through the door face, then drill squarely to the door a 25mm (1") in door edge 100mm deep.



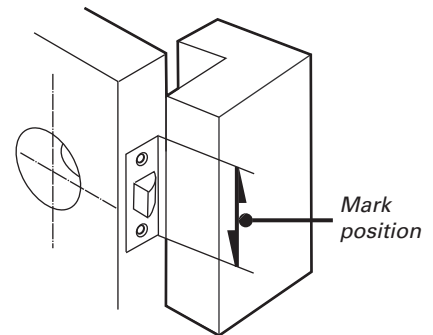
4 Check out and install latch in door

Install latch into the 25mm hole and mark and check out latch forend ensuring the latch is mounted the correct way round for the door handing. The forend of the latch should either be flush or 1mm below the front surface of the door.



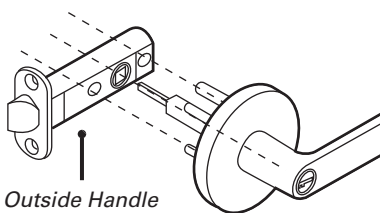
5 Check out and install striker plate

Close door until the latch touches the jamb (door frame) to locate and mark the correct position of the striker plate. Open the door and extend the lines from the mark point to the door stop of the jamb. Measure half the door thickness from the door stop and vertically mark drill points. These are the three centres for the striker plate. 2 points for strike plate screws and a centre point for latch hole. Drill 25mm (1") latch hole into the door frame 15mm (9/16") deep (this should align with the latch bolt when closed). Mark and chisel 1.5mm deep the striker plate into the door frame at the correct position for the strike to align with the latch 25mm hole. When installing the striker plate, be sure that it is set to the same height and position as the latch in the door. Install strike and fit and tighten wood screws.



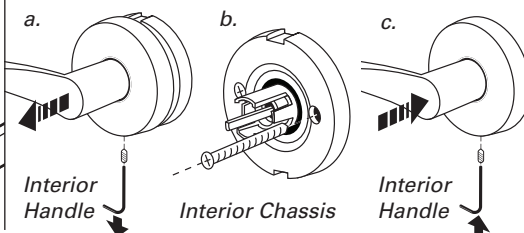
6 Install exterior handle

Check to ensure lever handle handing is correct to the door its being fitted onto. If handing needs to be changed see page 11. Install outside handle by sliding 2. the spindle through the fitted latch in the door.



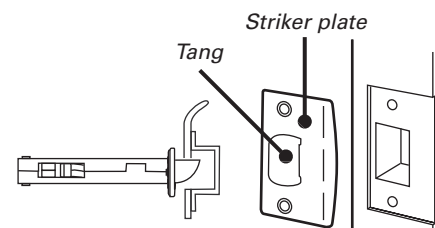
7 Install interior handle

Install the inside handle by first removing the handle from the interior chassis (a), then mount the interior chassis to the door using 2x machine screws (b), then slide the interior handle and interior rose over the the interior chassis making sure to align the spindle to the handle (c).



8 Adjust striker plate (if necessary)

If excessive looseness between the door and the door stop of the jamb occurs while the door is closed adjust adjustable tang on striker plate to take up any movement.



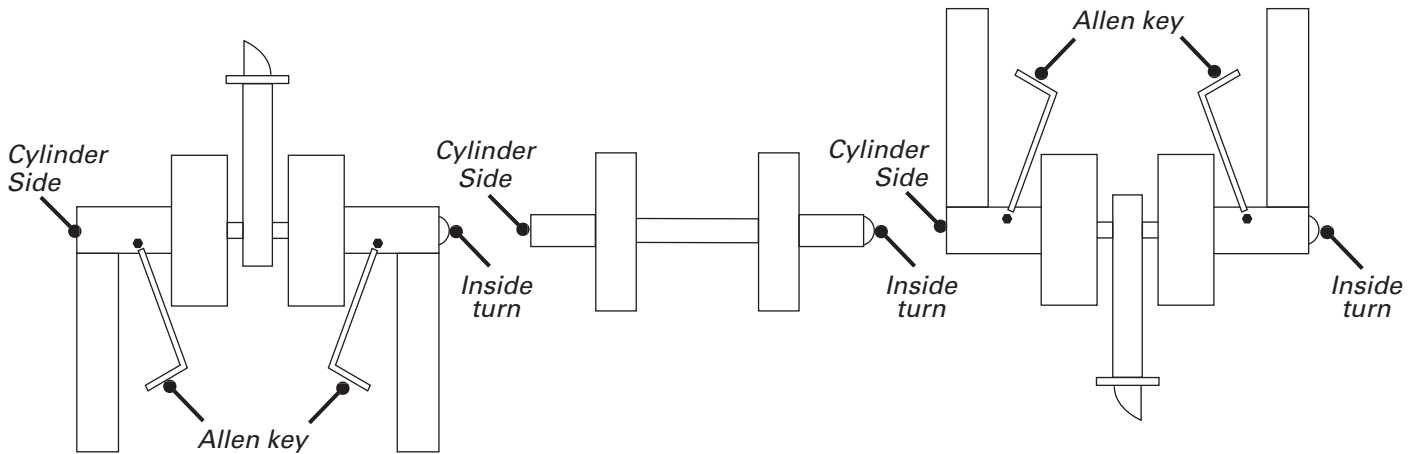
NOTE: Check the complete operation of the set ensuring all the functions of the set are working correctly.

Reversibility Instructions

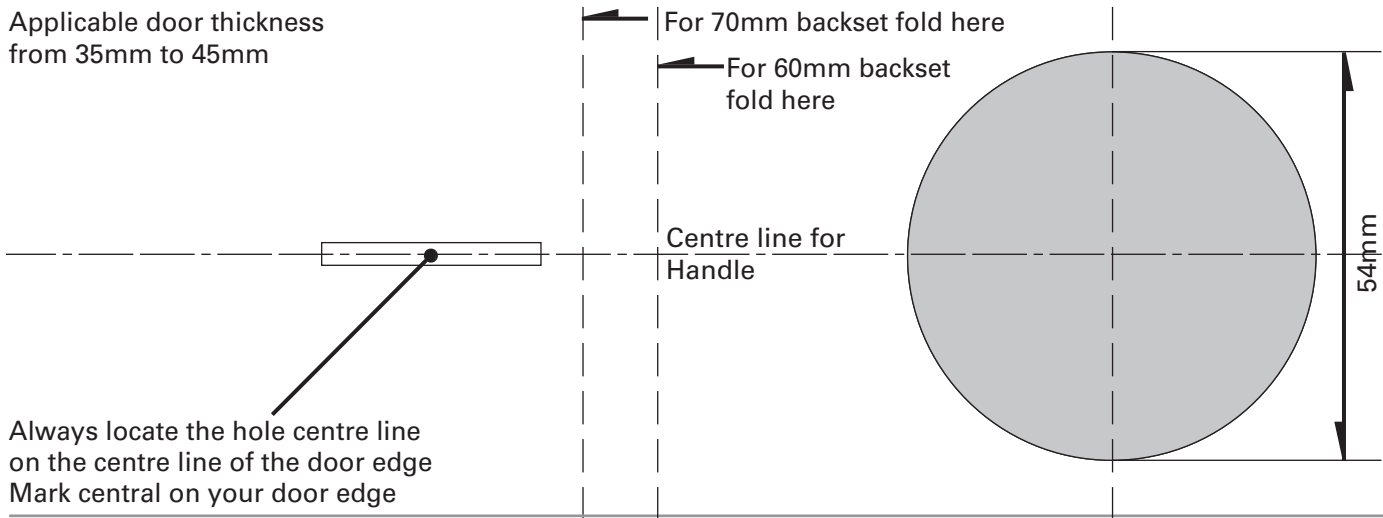
Place the set upside down to expose the grub screw underneath the lever handle.
Remove the two grub screws using allen key provided, swap handles over and re-fasten.

Right hand door

Left hand door

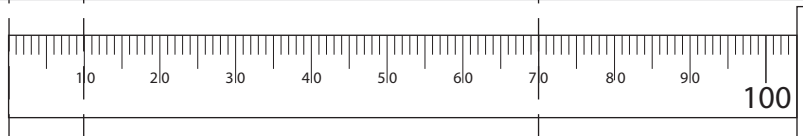


Applicable door thickness
from 35mm to 45mm



Always locate the hole centre line
on the centre line of the door edge
Mark central on your door edge

PLEASE NOTE: If re-printing this template,
ensure you print 1:1 ratio, and double check
the drilling template with an accurate ruler



Residential Door Hardware Warranty

Sylvan residential door hardware products are covered by the following warrant

- * 10 year mechanical.
- * 5 year finish (see exclusions below).

Subject to the following conditions:

If a finish or mechanical defect occurs within the warranty period, simply return the product together with proof of purchase to the point of purchase. Upon receipt of defective product it will be either repaired or replaced free of charge. This warranty only applies to the original user of the product, and is non transferable.

The Sylvan residential door hardware warranty excludes the following:

- Indirect or consequential loss or damage
- Cost of removal and or replacement
- Cost of freight and or travel time
- Improper installation or failure to follow fitting instructions
- Abuse or misuse of the product
- Use of the product for the purpose which the product was not designed
- Scratches from keys/rings, abrasions or deterioration due to use of paint, solvents or other chemicals
- Use of the product in exposed coastal or geothermal conditions
- The plated finishes of Polish Brass and Black Nickel are classified as soft finishes. As deterioration is possible under some climatic conditions, these finishes are excluded from this warranty.