

Nouveau®

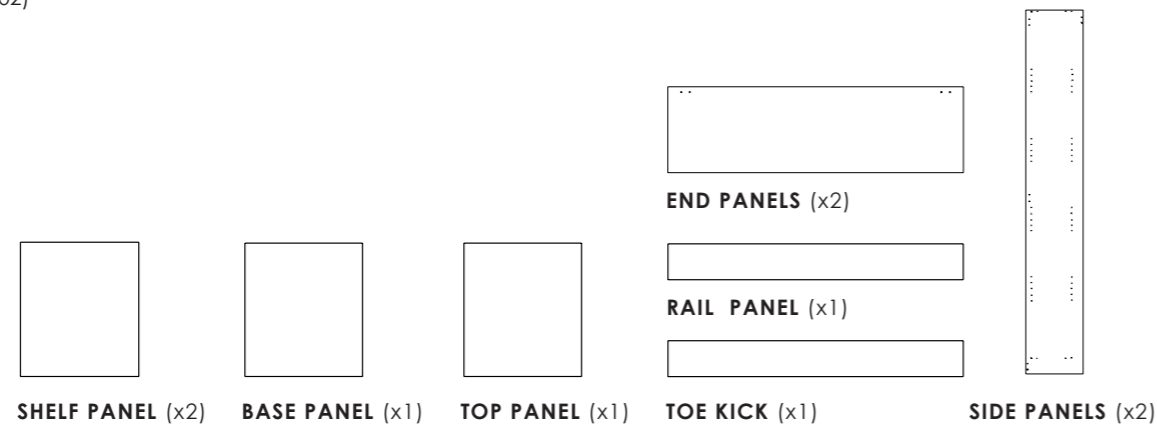
WARDROBE STARTER KIT.

Assembly Instructions

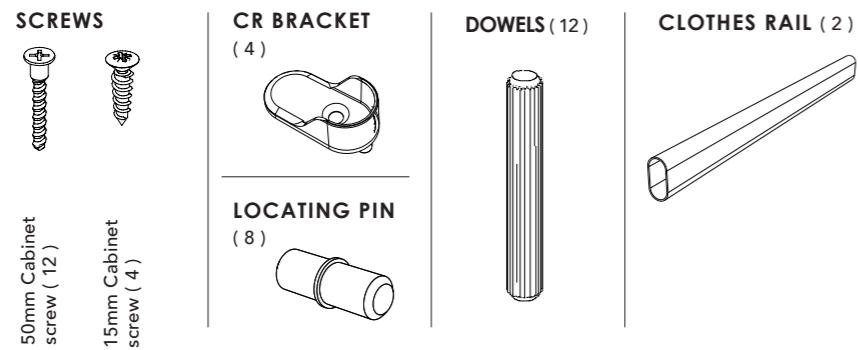
Suitable for:
 300mm Starter Kit (811.90.500)
 400mm Starter Kit (811.90.501)
 600mm Starter Kit (811.90.502)

Art. 730.83.199

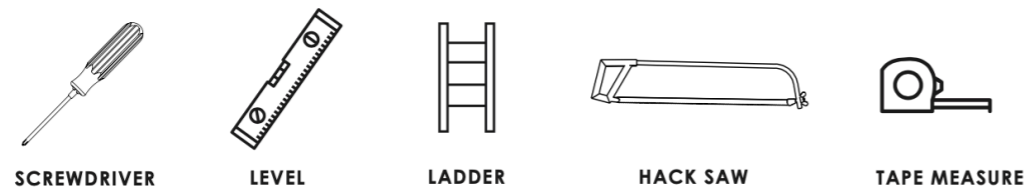
Wardrobe Components included.



HÄFELE Hardware included.



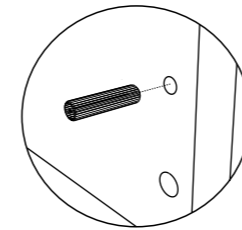
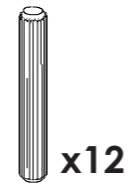
Required Tools.



Handy Note: Please read the instructions carefully before you start and make sure to identify the parts you need for each step. When assembling it is best to do on a soft surface to prevent damage. **Your Nouveau 2 Year Home Use Warranty will not apply to incorrectly assembled and/or installed product. Follow the advice of your selected wall fixings (sold separately).**

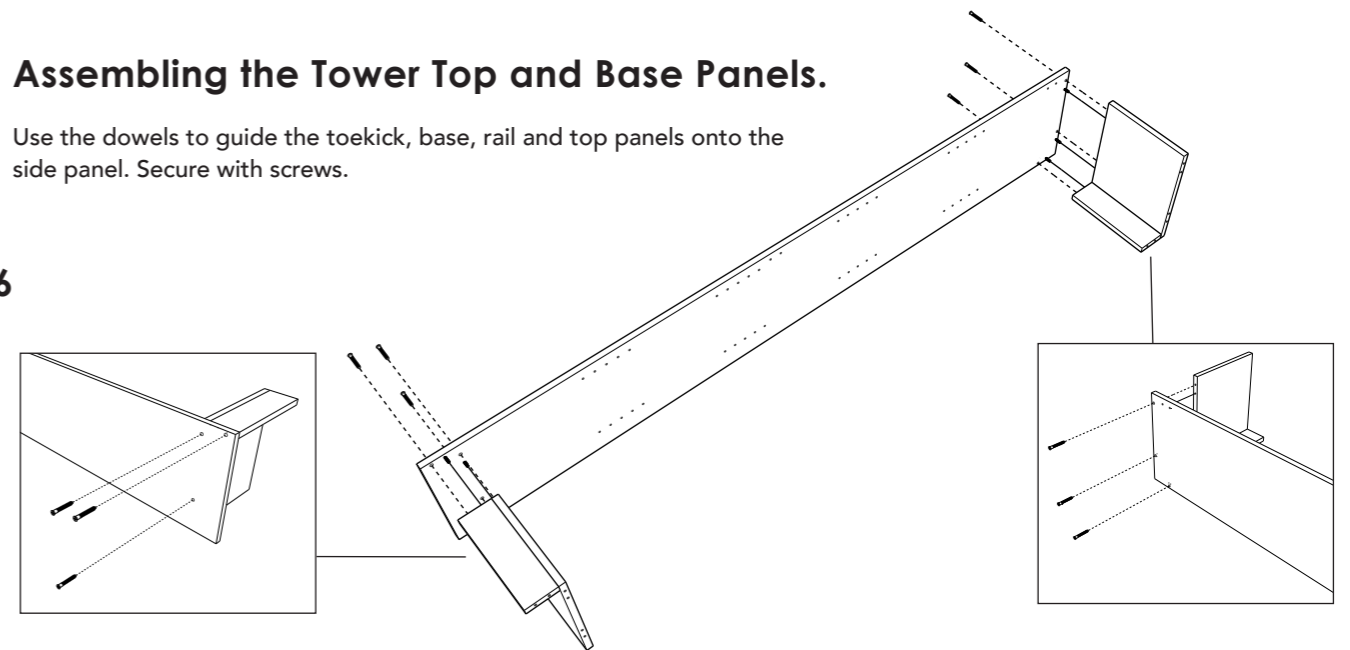
Manufactured in New Zealand for: Mitre 10 New Zealand Limited.

1. Fitting the dowels to the side panels.

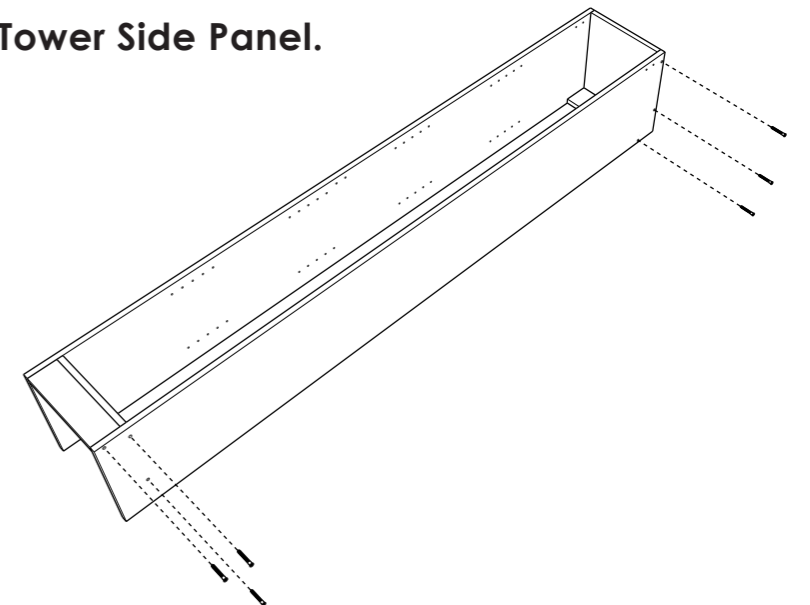


2. Assembling the Tower Top and Base Panels.

Use the dowels to guide the toe kick, base, rail and top panels onto the side panel. Secure with screws.

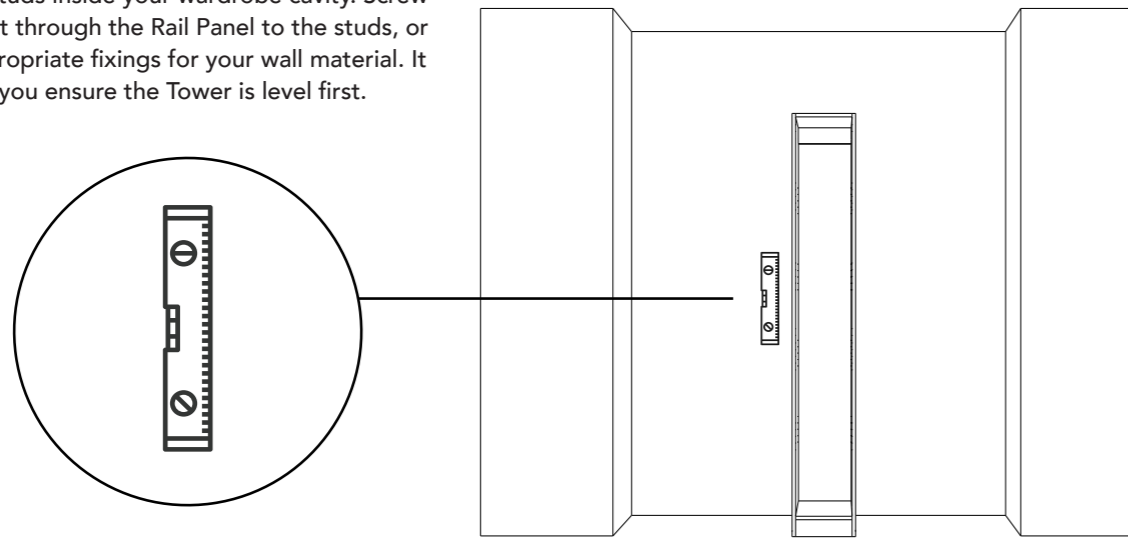


3. Assembling the other Tower Side Panel.

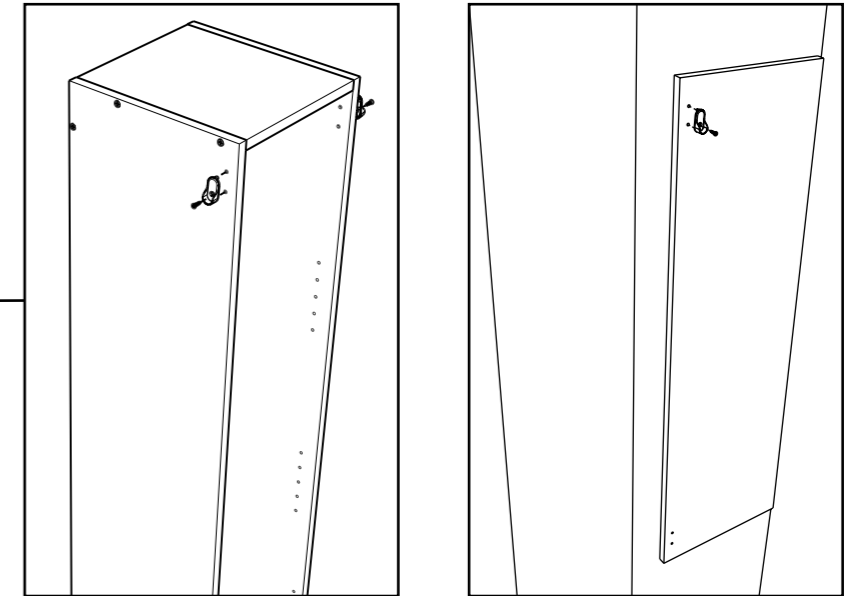
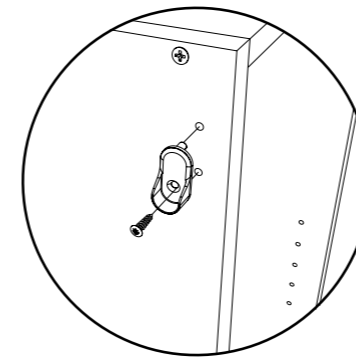


4. Install Tower Unit to Wardrobe Cavity.

Locate the wall studs inside your wardrobe cavity. Screw fix the Tower Unit through the Rail Panel to the studs, or use with the appropriate fixings for your wall material. It is advisable that you ensure the Tower is level first.

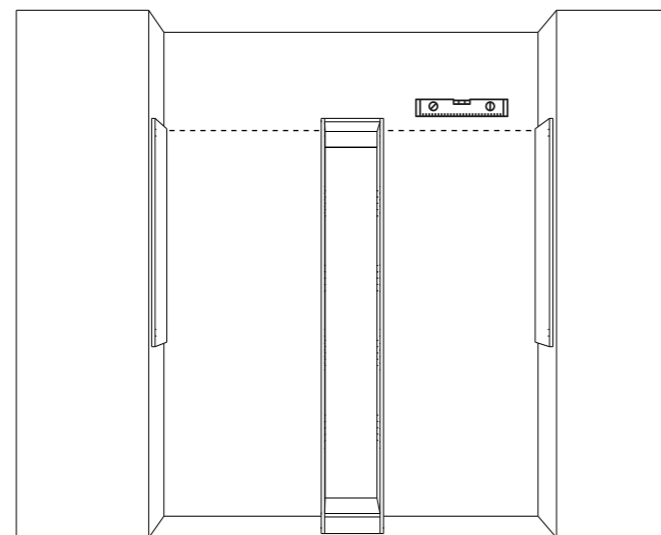


7. Fixing the Rail Brackets to the Tower and End Panels.



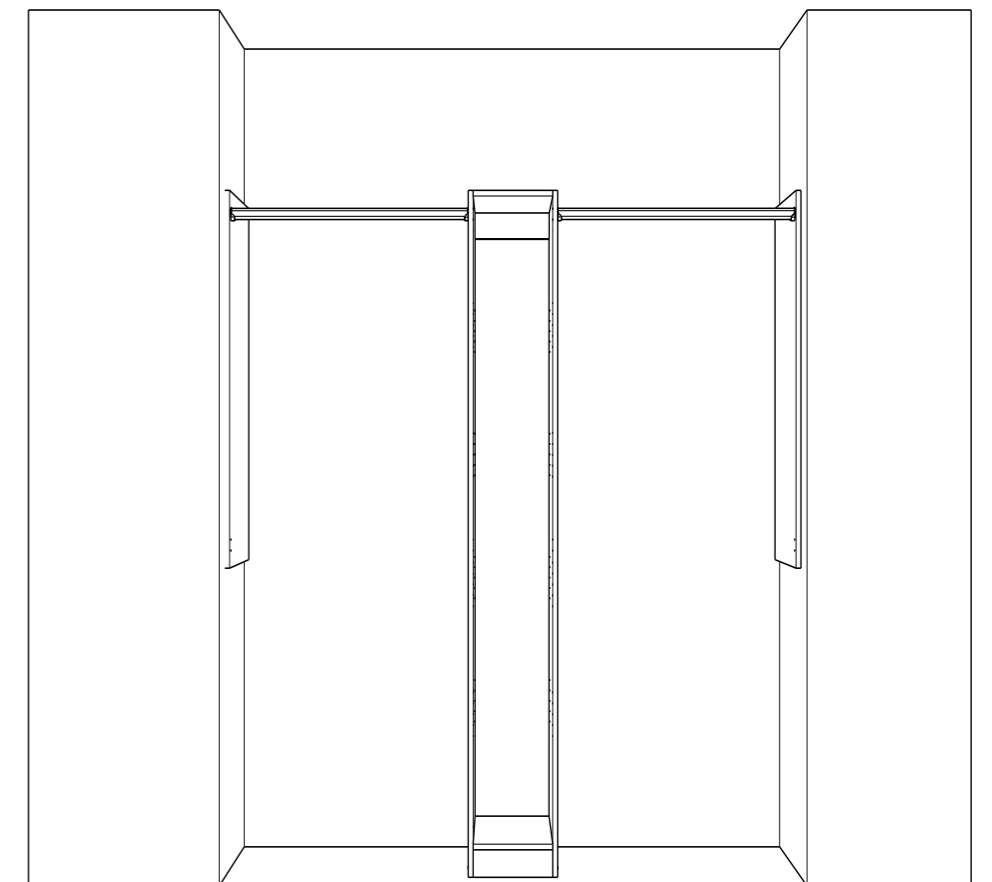
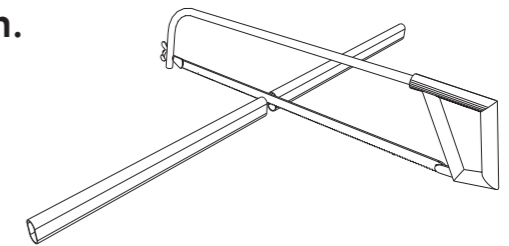
5. Installing the End Panels to the Wardrobe Cavity.

Use a level to mark a line around your cavity space at the top of the Tower Unit. Screw fix the End Panels to the studs at this line.



* **Note:** Fixing Tower and End Panels to unsupported Gib is not recommended.

8. Cut Clothes Rail to Required Length.



6. Installing the two Shelf Panels.

