

# STANLEY®

ST-302-231-A



## Electric Fan Heater

**This product is only suitable for well insulated spaces or occasional use.**



**NEVER LEAVE HEATER UNATTENDED  
WHILE CONNECTED TO A POWER SOURCE.**



**Read the instruction manual: When this symbol is marked on a product, it means that the instruction manual must be read.**

**Do not use the appliance for other than its intended use. For domestic indoor use only.**

---



**WARNING: In order to avoid overheating, do not cover the heater.**

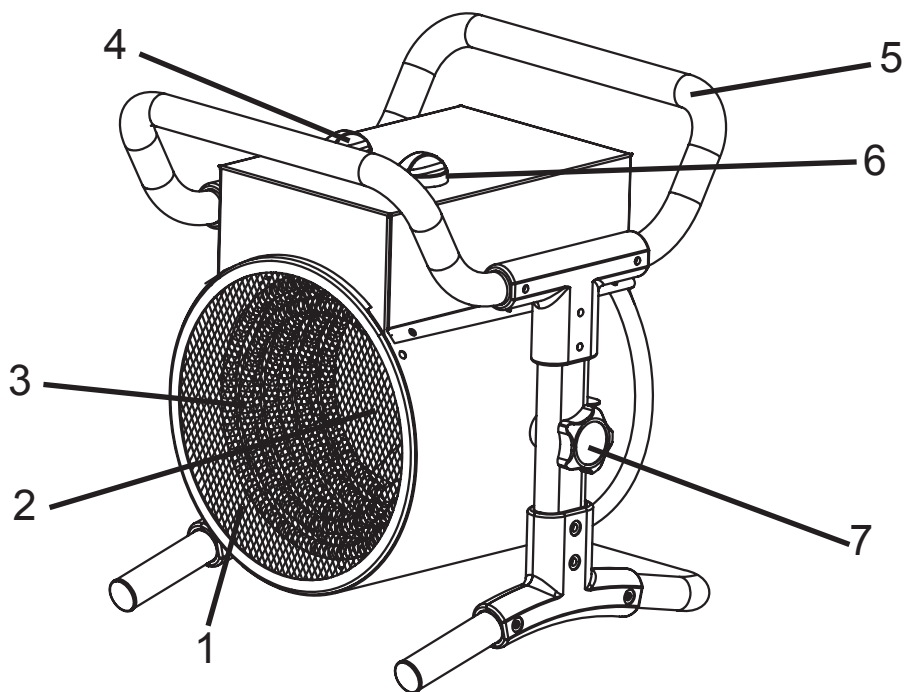
## NEVER LEAVE HEATER UNATTENDED WHILE CONNECTED TO A POWER SOURCE.

### PLEASE READ THE FOLLOWING INSTRUCTIONS CAREFULLY BEFORE USING THE APPLIANCE.

- This appliance should not be used by children 16 years and younger and persons with reduced physical, sensory, or mental capabilities or lack of experience and knowledge even if they have been given supervision or instruction concerning use of the appliance in a safe way and understand the hazards involved. Children shall not play with the appliance. Cleaning and user maintenance shall not be made by children without supervision.
- Do not use this heater if it has been dropped.
- Do not use if there are visible signs of damage to the heater.
- Use this heater on a horizontal and stable surface, or fix it to the wall, as applicable.
- **WARNING:** Do not use this heater in small rooms when they are occupied by persons not capable of leaving the room on their own, unless constant supervision is provided.
- **WARNING:** To reduce the risk of fire, keep textiles, curtains, or any other flammable material a minimum distance of 1 m from the air outlet.
- **CAUTION:** Some parts of this product can become very hot and cause burns. Particular attention has to be given where children and vulnerable people are present.
- If the supply cord is damaged, it must be replaced by the manufacturer, its service agent or similarly qualified persons in order to avoid a hazard.
- The heater must not be located immediately below a socket-outlet.
- Do not use this heater in the immediate surroundings of a bath, a shower or a swimming pool.
- Do not use the appliance for other than its intended use. For domestic indoor use only.
- Place the appliance on a flat, stable, heat-resistant surface. Operating the product in any other position could cause a hazard.
- There may be trace of odour during the first few minutes of initial use. This is normal and will quickly disappear.
- Do not attempt to repair, disassemble or modify the appliance. There are no user-serviceable parts inside.
- **CAUTION:** If using an extension lead please ensure you do not exceed the maximum rated running wattage/load of the extension lead.

**NEVER LEAVE HEATER UNATTENDED  
WHILE CONNECTED TO A POWER SOURCE.**

ST-302-231-A






1. Front Guard
2. Fan
3. Heat Coil
4. Function Selector
5. Handle
6. Thermostat
7. Adjustment Knob

**NEVER LEAVE HEATER UNATTENDED  
WHILE CONNECTED TO A POWER SOURCE.**

## **SPECIFICATIONS**

Specifications subject to change without notice

	<b>ST-302-231-A</b>
THERMAL POWER (kW)	2.0
HEATING AREA (m <sup>2</sup> )	20
POWER (Volt / Hz)	220-240 ~ 50
HEAT SETTINGS	1
<b>FUNCTIONS / SETTINGS</b>	
Unit is Off	
Fan Runs - No Heating	
Fan Runs - Full Power Heating	
<p><b>NOTE:</b> Heating element will shut off when desired temperature is reached. Fan will run continuously. This heater is equipped with a tip over switch. If this heater is overturned the tip over switch will automatically turn it off.</p>	

**NEVER LEAVE HEATER UNATTENDED  
WHILE CONNECTED TO A POWER SOURCE.**

### Safety Information

**IMPORTANT:** Read and understand all of the safety information and instructions in this manual before operating your heater.

**▲ DANGER**

**RISK OF EXPLOSION!** Do Not operate this heater where there are harmful, explosive or flammable gasses, fumes or hazardous substances.

**▲ WARNING**

**RISK OF FIRE!** Do Not operate this heater near combustibile materials.

**▲ WARNING**

**ELECTRIC SHOCK HAZARD!** Do not use this heater in the immediate surroundings of a bath, a shower, or a swimming pool.

**▲ WARNING**

**BURN HAZARD!** Do Not touch the front of heater while it is operating. This heater is hot while operating.

**▲ WARNING**

**Risk Of injury!** Do Not move heater while it is operating.

**▲ WARNING**

**RISK OF ELECTRIC SHOCK!  
DISCONNECT FROM POWER BEFORE  
MAINTENANCE.**

## **NEVER LEAVE HEATER UNATTENDED WHILE CONNECTED TO A POWER SOURCE.**

Children should be supervised so they do not play with the appliance.

**ALWAYS** use only the electrical power (voltage and frequency) specified on the model plate of the heater.

**ALWAYS** use an extension cord properly rated for this appliance.

**ALWAYS** ensure that all cords are protected against short circuit and overload.

**ALWAYS** keep power cord away from hot air outlet.

**ALWAYS** disconnect heater from power source when not in use.

**NEVER** place the heater on a small, uneven or unstable surface that may cause the heater to fall.

**NEVER** connect other appliances to the same electrical outlet as the fan heater.

**NEVER** operate heater with heater guards removed.

**NEVER** block hot air outlet while heater is operating.

**NEVER** cover or obstruct heater.

**NEVER** use ducting with heater.

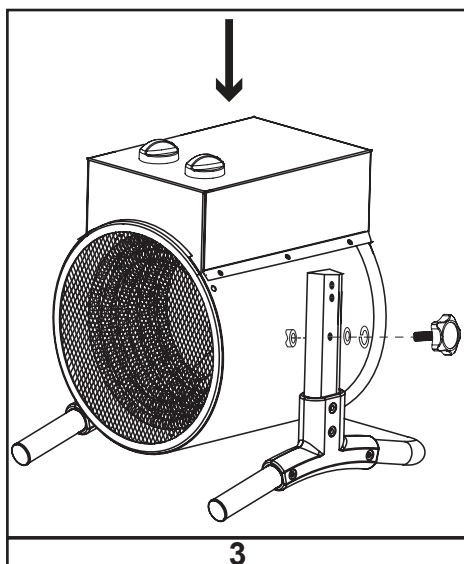
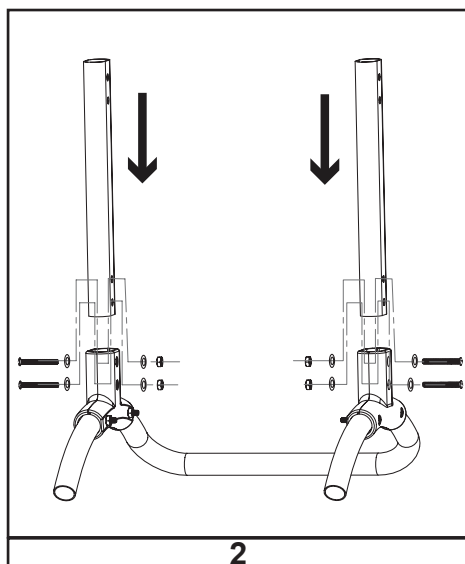
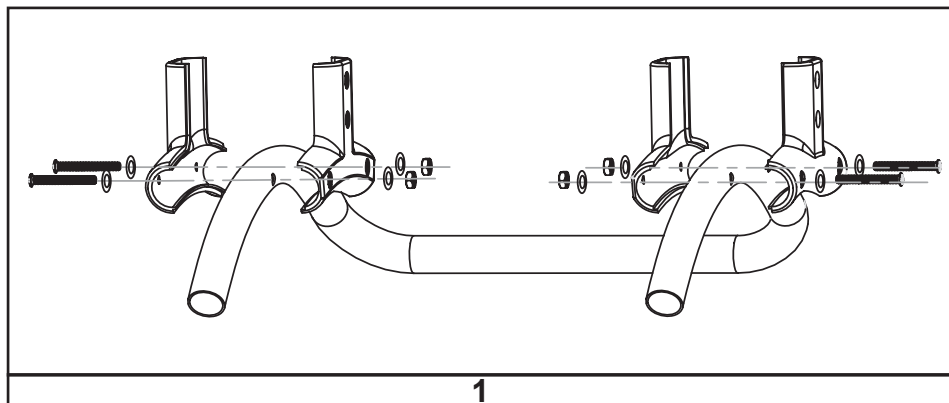
**NEVER** pull or carry heater by the power cord.

**NEVER** use heater with an external switching device: such as a timer.

If heater is damaged, do not use it. The heater must be serviced by a qualified person or service agent.

**NEVER LEAVE HEATER UNATTENDED  
WHILE CONNECTED TO A POWER SOURCE.**

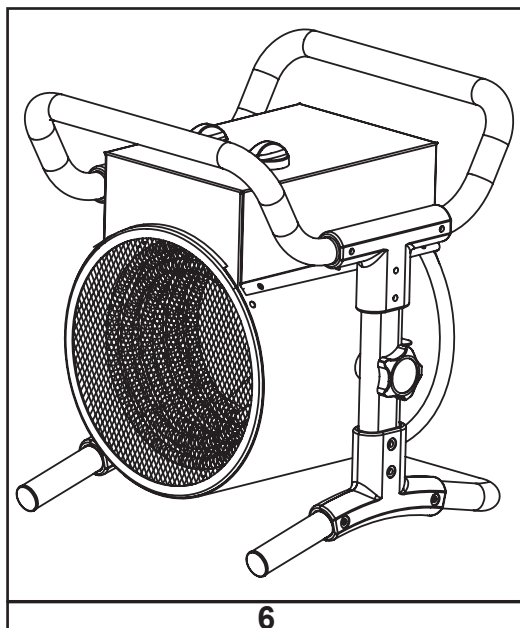
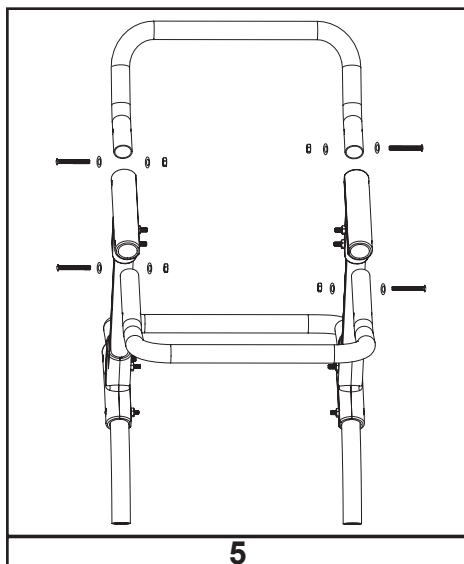
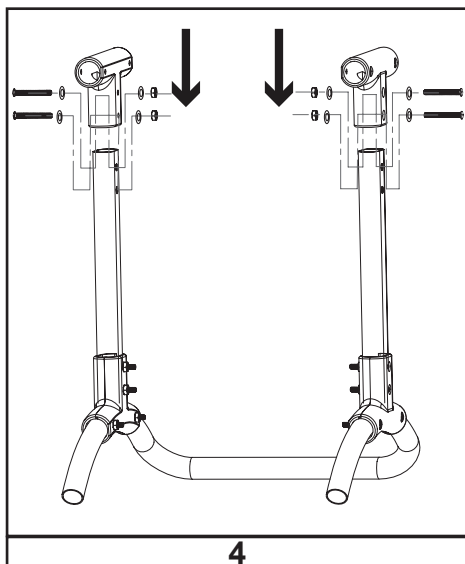
## Assembly





**NEVER LEAVE HEATER UNATTENDED  
WHILE CONNECTED TO A POWER SOURCE.**

## Assembly



# NEVER LEAVE HEATER UNATTENDED WHILE CONNECTED TO A POWER SOURCE.

## Assembly (See Page 7-8)

1. Align holes in heater leg frame with lower inner bracket.
2. Attach lower outer bracket to lower inner bracket using screws.
3. Align lower inner bracket with side support.
4. Attach side supports to heater using tilt adjustment knob.
5. Slide side supports into upper brackets, align holes and insert screws to tighten.
6. Slide upper handle brackets onto front handle, align holes and insert screws to tighten.
7. Slide rear handle into upper handle brackets, align holes and insert screws to tighten.

## Operation

1. Position the fan heater so that it stands upright on a firm, level surface and at a safe distance from wet environments and flammable objects.
2. Connect the fan heater to the proper electrical power.
3. Set the thermostat dial to the maximum temperature.
4. The fan heater will switch on when the function selector dial is set to one of the three power settings.
5. Once the room reaches the desired temperature, turn the thermostat dial back until heating element turns off.

## Automatic Overheat Safety Control

- This heater is equipped with safety internal heat limiting thermostat and overheat protection circuit. When a potential overheat temperature is reached, the system will automatically shut the heater off.

## Thermostat Instructions

- At first, set the thermostat to “+” and let the heater operate with full power input. When the room temperature reaches the required value, turn the thermostat to the left until it switches off.
- The thermostat will then switch on and off automatically to control the room temperature according to the preset value and keep the room temperature constant.
- When using the heater for the first time, you may notice a slight emission of smoke. This is quite normal and it stops after a short time. The heating element is made of steel and was coated with a layer of protective oil during production. The smoke is caused by the leftover oil as it is heated.

## Cleaning and Maintenance

- Before cleaning the appliance, disconnect it from the outlet and let it cool down.
- The enclosure is easy to get dirty. Wipe it often with a soft sponge. For very dirty parts, wipe with a sponge dipped in < 50°C water and mild detergent, then dry the heater enclosure with a clean cloth. Be careful not to let the water enter the inside of the appliance
- In order to protect the enclosure, don't splash water onto the heater, and never use a solvent like gasoline, isoamyl acetate, toluene, etc. to clean the heater.
- When you store the heater, let it cool down first and, keep it dry. Then cover it with a plastic bag, put it in the packing box and store it in a dry, ventilated place.

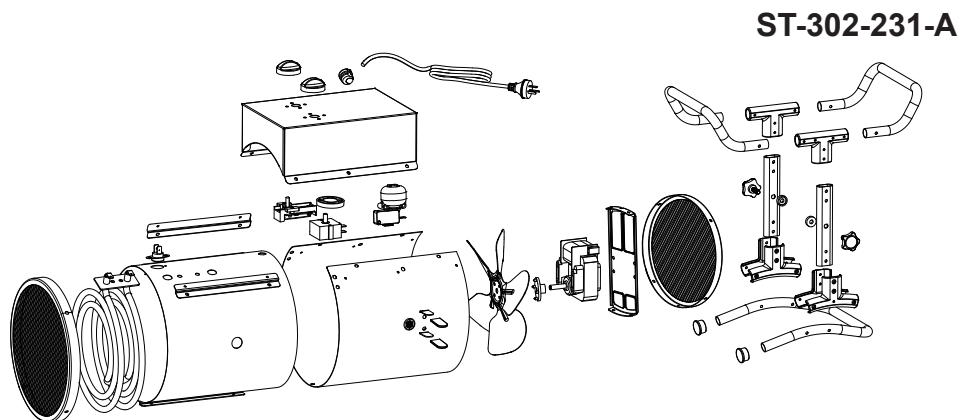
# NEVER LEAVE HEATER UNATTENDED WHILE CONNECTED TO A POWER SOURCE.

## Troubleshooting

Problem	Cause	Solution
Fan stays on when heat shuts off.	1. Fan runs continuously while the heater is operating.	1. Heater is operating correctly.
Fan speed stays the same when changing settings.	1. Fan speed stays constant. Setting changes amount of heat output only.	1. Heater is operating correctly.
Heating element does not glow red.	1. Heating element is made of stainless steel and will not glow red to produce heat.	1. Heater is operating correctly.
Do not feel heat or air flow.	<ol style="list-style-type: none"> <li>1. No power to heater.</li> <li>2. Desired room temperature reached.</li> <li>3. Heater does not heat area in front of heater, it will disperse heat throughout room to heat entire space.</li> </ol>	<ol style="list-style-type: none"> <li>1. Check power connections / connect heater to power supply.</li> <li>2. Thermostat will shut off once desired room temperature is reached. Heater is operating correctly.</li> <li>3. Heater is operating correctly.</li> </ol>

**NEVER LEAVE HEATER UNATTENDED  
WHILE CONNECTED TO A POWER SOURCE.**

## Exploded View



# NEVER LEAVE HEATER UNATTENDED WHILE CONNECTED TO A POWER SOURCE.

# STANLEY® SERVICE

Belgique et Luxembourg België en Luxemburg	E. Walschaertstraat 14 2800 Mechelen Belgium	www.stanleyworks.be Enduser.be@SBDinc.com BE-NL = +32 15 47 37 65 BE-FR = +32 15 47 37 64 BE-Fax: +32 15 47 37 100	United Kingdom	210 Bath Road; Slough, Berks SL1 3YD	www.stanleytools.co.uk Tel: +44 (0)1753 511234 Fax: +44 (0)1753 512365
Danmark	Roskildevej 22 2620 Albertslund	www.stanleyworks.dk kundeservice.dk@sbinc.com Fax: 70224910	Hungary	Rotel Kft. 1163 Budapest, Thököly út 17.	www.stanleyworks.hu service@roteleft.hu Tel +36 1 404-0014 Fax+36 1 403-2260
Deutschland	Richard Klingler Str. 11 65510 Idstein	www.stanleyworks.de info@sbinc.de Tel: 06126-21-1 Fax: 06126-21-2770	Czech Republic	BAND SERVIS CZ s.r.o. K Pasekam 4440 760 01 Zlín, Czech Republic	www.stanleyworks.cz http://www.bandservis.cz Tel.: +420 577 008 550 Fax.: +420 577 008 559
Ελλάδα	Ημεροσ Τόμος 2 - Χών Αόδη Ασηρόμυρος -19300 - Αττική - Αττική	www.stanley.gr Greece.Service@sbinc.com Tlx: +30 210 8985208 Φαξ: +30 210 5597598	Slovakia	BAND SERVIS s.r.o. Paulínska 22 917 01 Trnava, Slovakia	www.bandservis.sk Tel.: +421 335 511 063 Fax.: +421 335 512 624
España	Parque de Negocios "Mas Blau" Edificio Muntadas, c/Bergadà, 1, Of. A6 08820 El Prat de Llobregat (Barcelona)	www.stanleyworks.es respuesta.postventa@sbinc.com Tel: 934 797 400 Fax: 934 797 419	Poland	Erpatech ul. Bakalowa 26 05-080 Mościska	www.stanleyworks.pl Tel.: +48 22 431 05 00 Fax: +48 22 468 87 35
France	5, allée des hêtres BP 30084, 69579 Limonest Cedex	www.stanleyoutillage.fr scuf@sbinc.com Tel: 04 72 20 39 77 Fax: 04 72 20 39 00	Slovenia	G-M&M d.o.o. Brvace 11 1290 Grosuplje Slovenija	www.g-mm.si gmm@g-mm.si T: +386 01 78 66 500 F: +386 01 78 63 023
Schweiz Suisse Svizzera	In der Luberzen 42 8902 Urdorf	www.stanleyworks.ch verkauf@ch.sbd@sbinc.com Tel: 044 - 755 60 70 Fax: 044 - 730 70 67	Cyprus	IOANNOU J. 4A Ath.Diakou street 1046- Nicosia - Cyprus	ioannou.ioannis@scytinet.com.cy Tel : +357 22344302 Fax : +357 22348098
Ireland	210 Bath Road; Slough, Berks SL1 3YD UK	www.stanleytools.co.uk Tel: +44 (0)1753 511234 Fax: +44 (0)1753 512365	Bosnia-Herzegovina	G-M&M d.o.o. Brvace 11 1290 Grosuplje Slovenija	www.g-mm.si gmm@g-mm.si T: +386 01 78 66 500 F: +386 01 78 63 023
Italia	Energypark - Building 03 sud, Via Energy Park 6 20871 Vimercate (MB)	www.stanley.it Tel. 039-9590-200 Fax 039-9590-313	Bulgaria	TASHEV-GALVING LTD 68 KLIMENT OHRIDSKI BLVD. 1756 Sofia, Bulgaria	www.tashev-galving.com T: +359 2 700 45 45 4 F: +359 (2) 439 21 12
Nederlands	Stanley Black & Decker Netherlands B.V. Postbus 83 6120 AD Bomm	www.stanleyworks.nl Enduser.NL@SBDinc.com Tel: +31 164 28 30 63 NL Fax: +31 164 28 32 00	Croatia	G-M&M d.o.o. Brvace 11 1290 Grosuplje Slovenija	www.g-mm.si gmm@g-mm.si T: +386 01 78 66 500 F: +386 01 78 63 023
Norge	Postboks 4613, Nydalen 0405 Oslo	www.stanleyworks.no kundeservice.no@sbinc.com Fax: 45 25 08 00	Estonia	AS Tallmae Mustamäe tee 44, EE-10621 Tallinn	www.tallmae.ee/est T: +372 6562999 F: +372 6562855
Österreich	Oberlaaerstrasse 248 A-1230 Wien	www.stanleyworks.de service.austria@sbinc.com Tel: 01 - 66116 - 0 Fax: 01 - 66116 - 14	Latvia	LIC GOTUS SIA Ulbrokas Str. LT - 1021 Rīga	www.licgotus.lv T: +371 67556949 F: +371 67555140
Portugal	Quinta da Fonte - Edificio 055 D. Diniz Rua dos Malhães, 2 e 2A - Piso 2 Esquerdo 2770 - 071 Paço de Arcos	www.stanleyworks.pt resposta.posvenda@sbinc.com Tel: 214 66 75 00 Fax: 214 66 75 75	Lithuania	UAB ELREMTA OU Neries kr. 16E LT - 48402 Kaunas	info@elremta.lt T: +370-685-29035 F: +370-37-406540
Suomi	PL 47 00521 Helsinki	www.stanleyworks.fi customerservice.fi@sbinc.com Puh: 010 400 4333	Malta	Energypark - Building 03 sud, Via Energy Park 6 20871 Vimercate (MB)	www.stanley.it Tel. 039-9590-200 Fax 039-9590-313
Sverige	Box 94 431 22 Mölndal	www.stanleyworks.se kundservice.se@sbinc.com Fax: 31 68 60 08	Romania	Stanley Black & Decker Phoenicia Business Center Strada Turturelelor, nr 11A, Etaj 6, Modul 15, Sector 3 Bucuresti	www.stanleyworks.ro T: +4021.320.61.04/05 F: +4037.225.36.84
			Serbia	G-M&M d.o.o. Brvace 11 1290 Grosuplje Slovenija	www.g-mm.si gmm@g-mm.si T: +386 01 78 66 500 F: +386 01 78 63 023

# STANLEY®

Pinnacle Climate Technologies, Inc.  
Sauk Rapids, MN 56379 USA

**EC | REP**

Obelis S.A.  
Registered Address:  
Bd. Général Wahis, 53  
1030 Brussels, Belgium

© 2021 Stanley Black & Decker, Inc.