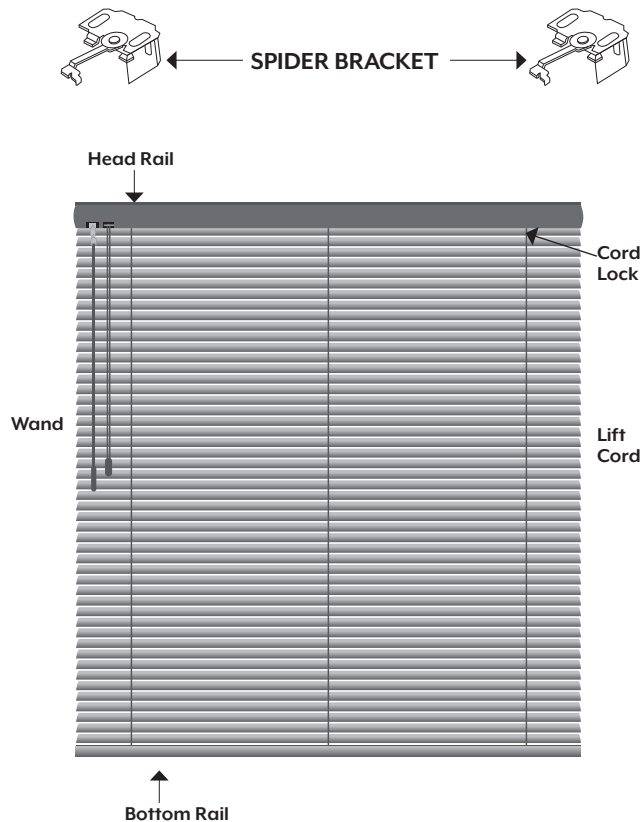
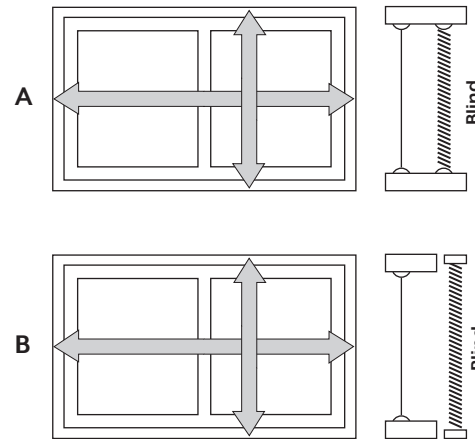


# INSTALLATION INSTRUCTIONS | ALUMINIUM BLINDS

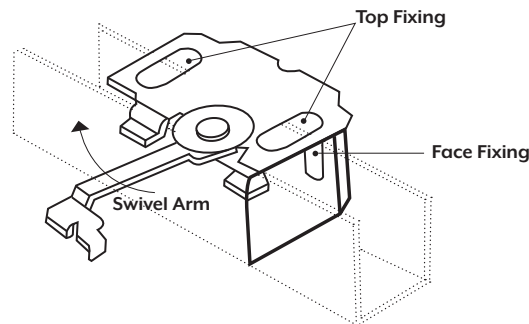


## ACCESSORIES ENCLOSED

- 2-4 pieces of spider bracket
- 1 piece of Wand Tilter
- 8-12 Screw 6 x 3/4" for Bracket



1. Measure where you require the blind to hang. the blind may be fitted **INSIDE (A)** or **OUTSIDE (B)** the recess.
2. Position the end brackets for FACE or TOP fixing – ensuring the brackets are fixed approximately 5cm from the end of the blind. The Centre Bracket (required for Blinds exceeding 100cm wide) maybe positioned as required. Note: Take care not to position the Brackets where they would interfere with the working mechanisms of the Blind,



3. Now present the Blind to the Bracket ensuring that the Lugs are positioned snugly under the front rim of teh Headrail. Then push the Locking Arm until it's pressed against the Headrail.

## TO ADJUST THE DROP OF THE BLIND

After mounting the Blind, check the height of the Blind to see if this should be adjusted. If so, then do the following:

Carefully observe how the Bottom Rail is clasped into position by the Plastic Button. Remove the Button from the Frame and undo the knot in the Liftcord.

Remove the appropriate number of Slats, reassemble the Bottom Rail and insert the Button into position again.

## TO OPERATE THE BLINDS

### LOWERING:

Hold the Cord at eye level and move to the left, gently pulling down until the Cord Lock releases.

Allow the Cord to slip through the fingers until the Blind reaches desired level.

Move Lift Cord to the right and the Release Blind will lock automatically.

### RAISING:

Pull the Cord downward until the Blind reaches the desired height – release the Cord – the Blind locks automatically.

### TILTING:

Rotate Wand of the Blind to attain the desired Slat positions.

### IMPORTANT:

Always tilt the Blind horizontally before raising or lowering the Blind – this increases the life of the Blind.