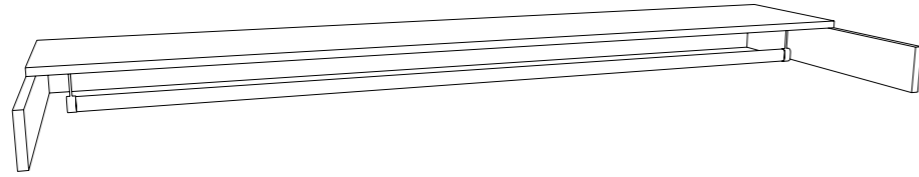


Nouveau®

WARDROBE SHELF WITH RAIL.



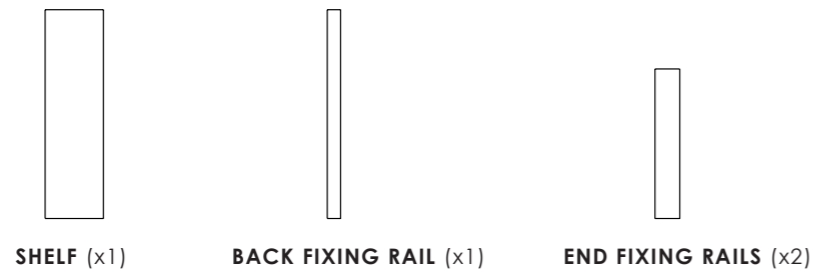
Assembly Instructions

Suitable for:

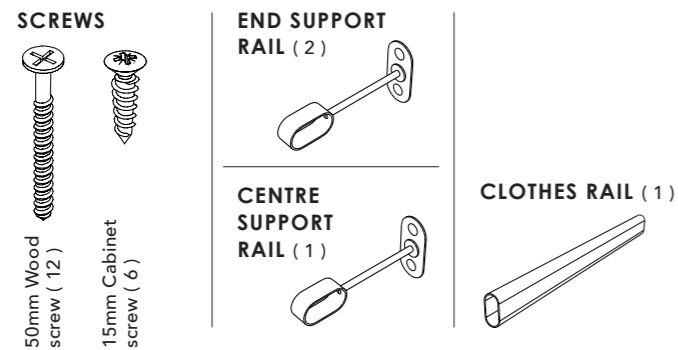
- 1200mm Shelf with Rail (811.90.400)
- 1800mm Shelf with Rail (811.90.401)
- 2400mm Shelf with Rail (811.90.402)

Art. 730.83.198

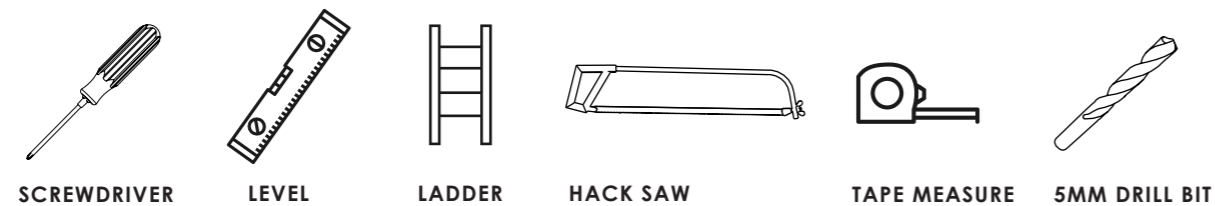
Wardrobe Components included.



HÄFELE Hardware included.



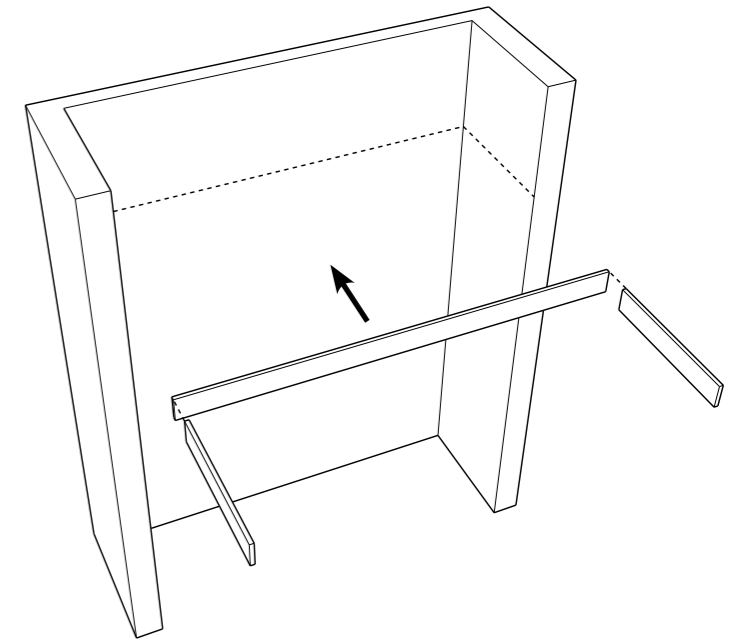
Required Tools.



Handy Note: Please read the instructions carefully before you start and make sure to identify the parts you need for each step. When assembling it is best to do on a soft surface to prevent damage. **Your Nouveau 2 Year Home Use Warranty will not apply to incorrectly assembled and/or installed product. Follow the advice of your selected wall fixings (sold separately).**

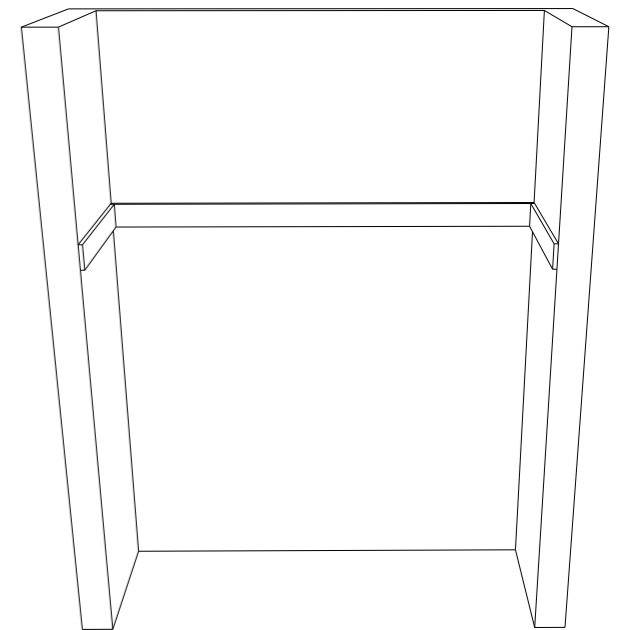
Manufactured in New Zealand for: Mitre 10 New Zealand Limited.

1. Mark wall to height needed



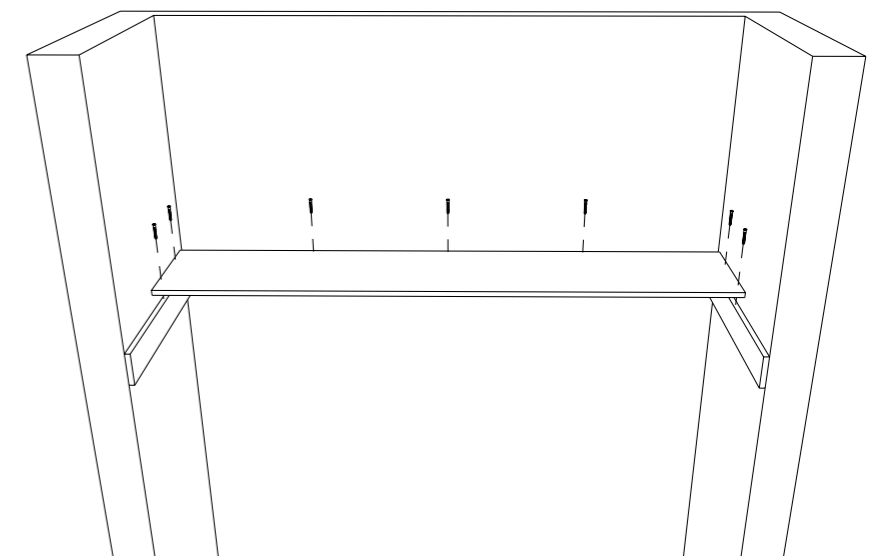
2. Fix the Rails to the Back Cavity Walls.

*Please note that hardware is not supplied.

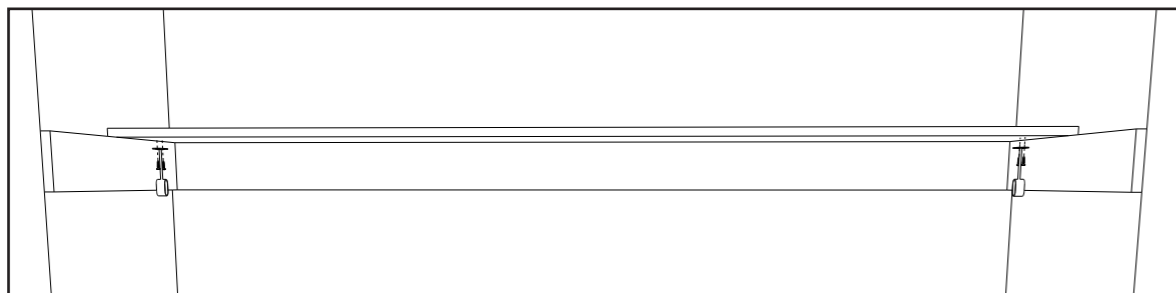


3. Fix the Shelf to the Rails.

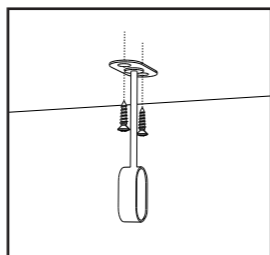
*Drill and fix screws where suits.



4. Fixing Rail End Supports to the Shelf Panel.

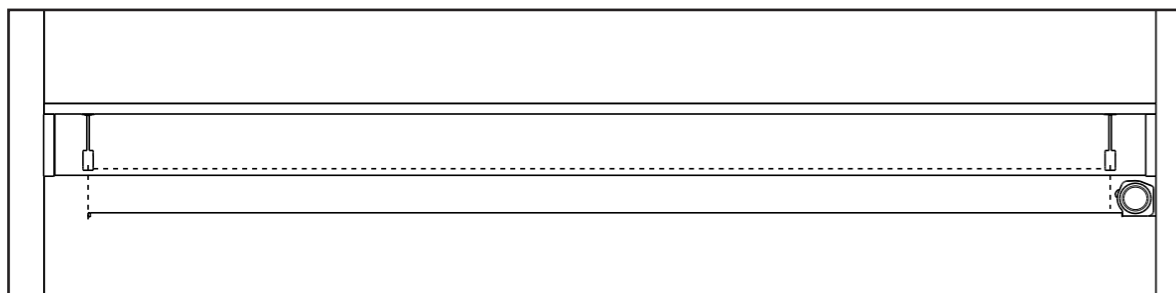


Make sure to fix End Supports as far forward as possible, so that your coat hangers fit accordingly.

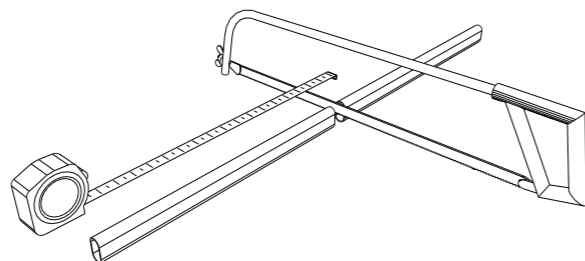


5. Trimming the Clothes Rail to suit your space.

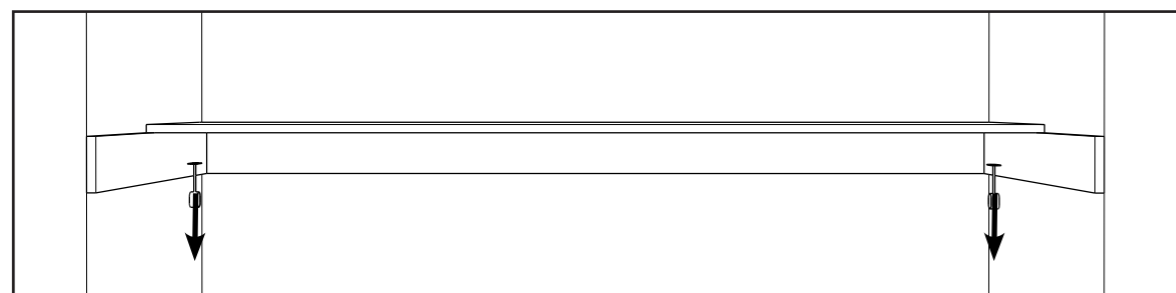
1. Measure the space between the two End Supports with your tape measure, and add 19mm.



2. Using your tape measure, measure this distance on your rail and trim using a hack saw.



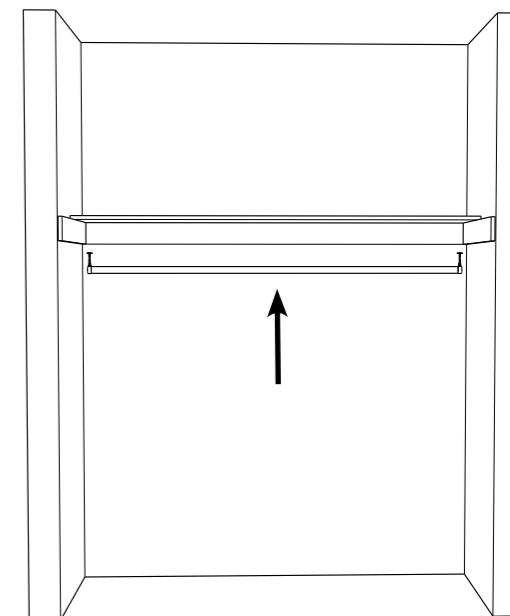
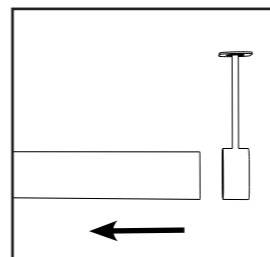
3. Unscrew each bracket.



6. Fix the Clothes Rail to the Shelf.

1. Slide brackets onto each end of the clothes rail, then screw back on.

* If centre support needed, use step 7.



7. Fitting the Centre Support to the Clothes Rail.

1. Slide Centre Support over the clothes rail, and position in the centre. Secure End Support Brackets.

