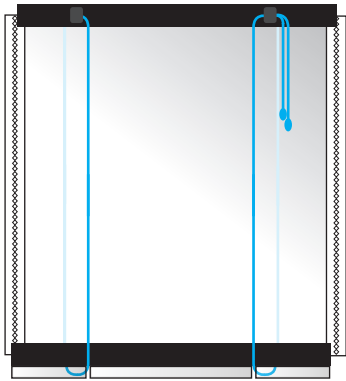


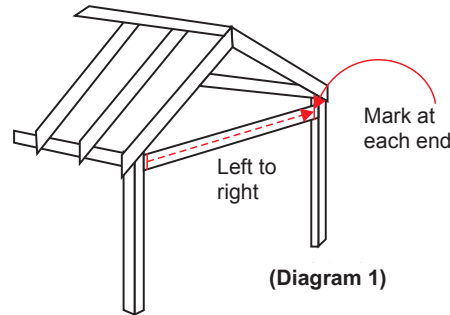
Patio Outdoor Blind Installation Instructions (Page 1)



Your Patio Outdoor Blind should come with the cords like this. If for any reason it doesn't, you will need to align cords as per this diagram.

STEP ONE

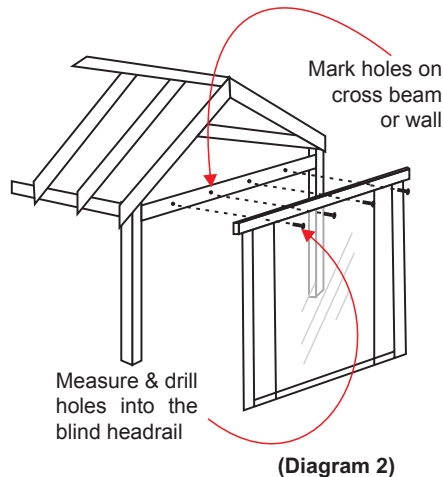
- 1 Measure up from the mounting location starting on the left side and make a mark at the desired mounting location, then the right side (Diag. 1).
- 2 Using a chalk line string, snap a level line the width of the blind.



(Diagram 1)

STEP TWO

- 1 Blind must be fixed to cross beam or wall.
- 2 Do not pull the blind tight when fixing, or when using joiner, as it will expand and contract with hot and cold weather.
- 3 Measure and drill holes in the headrail of the blind.
- 4 To attach blind you need to measure and drill holes into beam/wall in line with the holes marked on the headrail.
- 5 Mark your beam/wall in accordance to your measurement and drill holes.
- 6 Simply line up headrail holes on the cross beam/wall with appropriate fixing bolts. (Diag. 2)



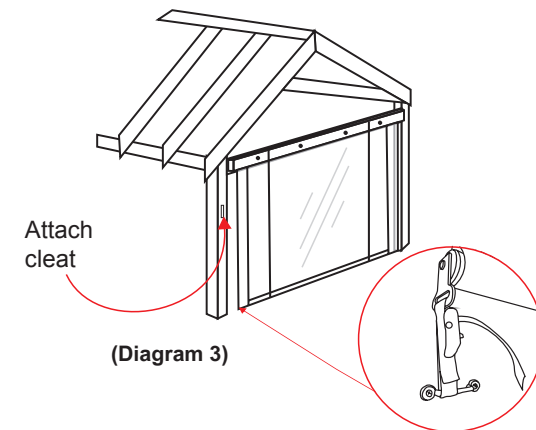
(Diagram 2)

WARNING. Do not roll the blind up when wet. Dry completely before rolling up.

WARNING. Ensure blind is raised during windy conditions to eliminate stress to joints and possible damage to blind.

STEP THREE

- 1 Fix cleat to side post to tie back when blind is rolled up.
- 2 Reduce movement of the blind by fixing base anchor plate to appropriate position, do this at end of the blind and secure straps from strap adaptor to base anchor plate. (Diag. 3)



(Diagram 3)

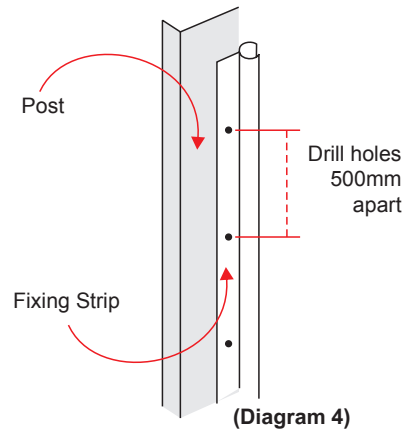
WARNING.

- To avoid creating a possible strangulation hazard for children, the corded internal window covering must be installed in such a way that a loose cord cannot form a loop 220mm or longer at a height of less than 1600mm above floor level.
- A cord guide may be installed lower than 1600mm above floor level if the cord is sufficiently secured or tensioned to prevent a loop 220mm or longer from being formed.
- If a cleat is used to secure the cord it must be at least 1600mm above floor level because a child is capable of unwinding from a cleat.

Patio Outdoor Blind Installation Instructions (Page 2)

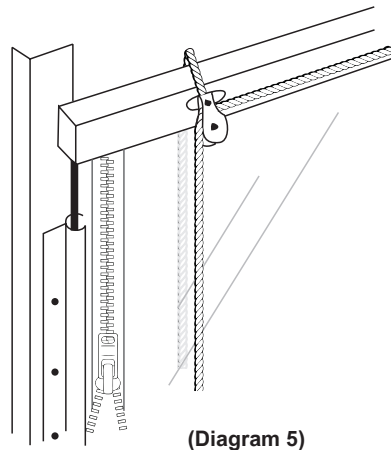
STEP FOUR (OPTIONAL - IF USING FIXING STRIPS)

- 1 Measure and mark where the Fixing Strip needs to sit so the channel is in line with the roped edge of the blind.
- 2 When in position, mark post at 500mm intervals using the predrilled holes in the Fixing Strip, and drill holes at a suitable depth for the screws you are using.
- 3 Fix the Fixing Strip to the post using appropriate fixings. (Diag. 4)



STEP FIVE

- 1 Pass the rope edged side of the blind through the channel (as shown). Repeat on the other side.
- 2 To roll up the blind simply unzip the blind on each side and pull on the cord to roll up, secure into cleat. (Diag. 5)

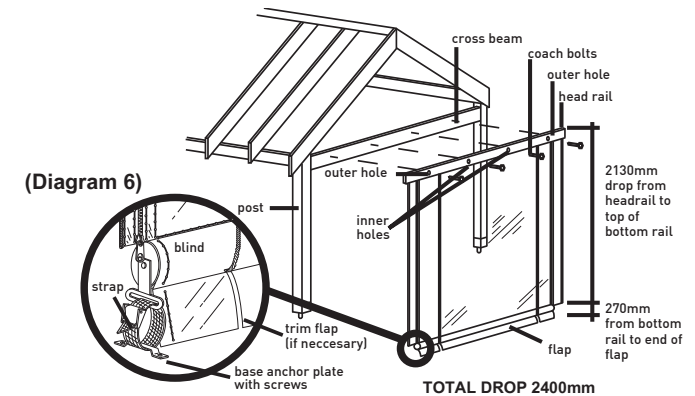


WARNING. Do not roll the blind up when wet. Dry completely before rolling up.

WARNING. Ensure blind is raised during windy conditions to eliminate stress to joins and possible damage to blind.

STEP SIX

- 1 Once the blind has settled (allow approx. 10 days), the bottom flap may now be trimmed to reduce scraping (if necessary). Simply mark the proportion to be trimmed and using a sharp craft knife, cut skirting straight to suit your application. (Diag. 6)



WARNING.

- To avoid creating a possible strangulation hazard for children, the corded internal window covering must be installed in such a way that a loose cord cannot form a loop 220mm or longer at a height of less than 1600mm above floor level.
- A cord guide may be installed lower than 1600mm above floor level if the cord is sufficiently secured or tensioned to prevent a loop 220mm or longer from being formed.
- If a cleat is used to secure the cord it must be at least 1600mm above floor level because a child is capable of unwinding from a cleat.