

## Evora™ Wall Hung Toilet

Evora is Englefield's latest top of range wall hung toilet. Modern and very versatile, it features a straight skirt, comes with the low profile seat and can be installed with a matching 4.5/3 L in-wall cistern.



Bevel Faceplate



Oval Faceplate

**Colour/Finish Material**

White  
Vitreous China, UF Seat

**Included Components**

Evora wall hung toilet pan  
Evora quiet close seat  
In wall cistern 4.5/3 L  
Flush button panel  
Waste and inlet straight connection pipes  
Waste pipe gasket  
Pan fixing kit

**Features**

Choice of bevel or oval flush button panel  
In wall cistern  
Dual flush (4.5/3 L)  
Back up shut-off valve  
P-trap set out: 200mm



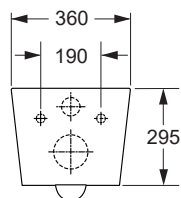
AS 1172.1  
AS 1172.2  
WM-022642



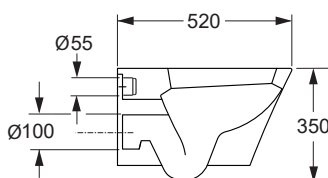
**Product Codes**

Evora Wall Hung with Bevel Faceplate	31260A-0
Evora Wall Hung with Oval Faceplate	78603A-0

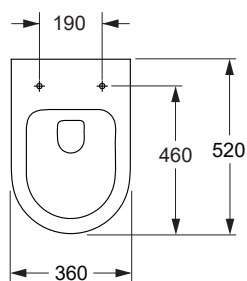
**Front View**



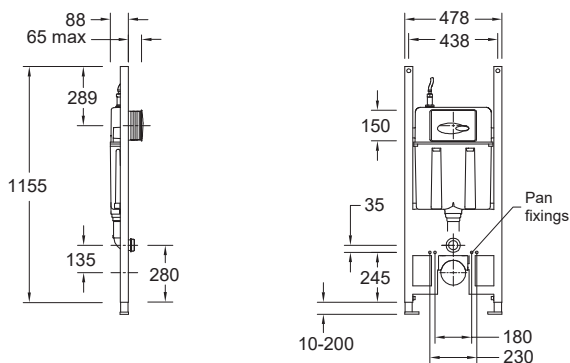
**Side View**



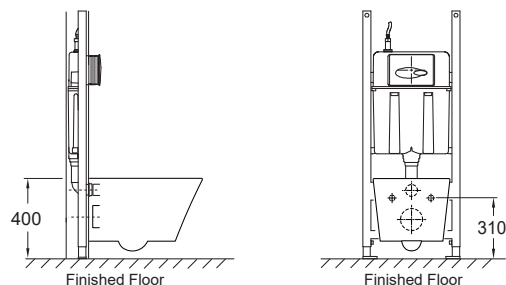
**Top View**



**In wall cistern**



**In wall cistern & pan (recommended height shown)**



**Installation Notes:**

- Water supply pressure range: 140kPa - 500kPa.
- The in wall cistern has an adjustable height and is designed to be fixed to the floor and wall studs.
- The pan waste outlet and water inlet are connected via straight pipes (supplied) cut to length.



**New Zealand**  
133 Diana Drive, Glenfield, Auckland, New Zealand  
PO Box 100-146 NSMC, Auckland, 0745  
Ph: 0800 100 382 Fax: 0800 66 44 88  
www.Englefield.co.nz

**Australia**  
PO Box 253, Alexandria  
NSW 1435, Australia  
Ph: 1800 ENGLEFIELD (1800 364 533)  
www.Englefield.com